

# LM833

## Dual Audio Operational Amplifier

### General Description

The LM833 is a dual general purpose operational amplifier designed with particular emphasis on performance in audio systems.

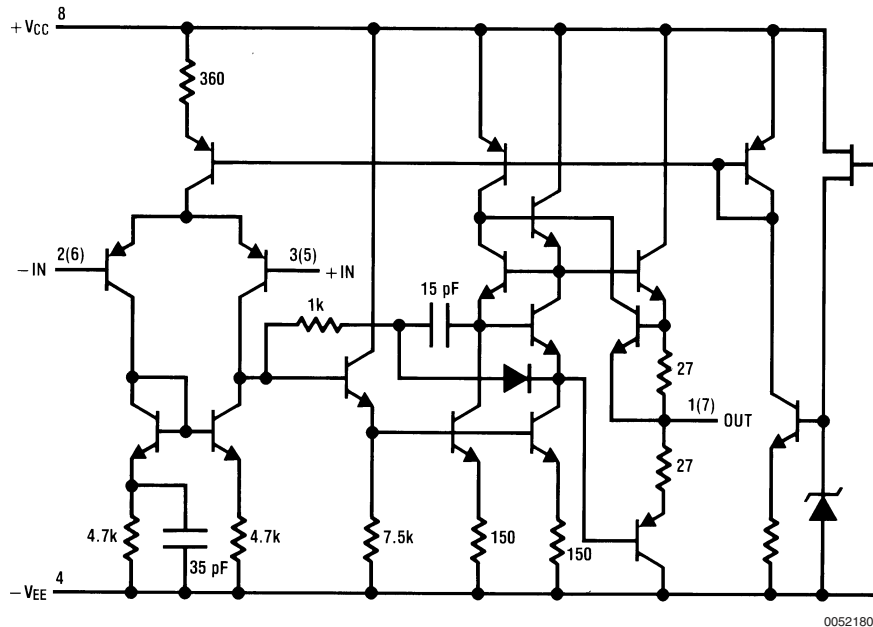
This dual amplifier IC utilizes new circuit and processing techniques to deliver low noise, high speed and wide bandwidth without increasing external components or decreasing stability. The LM833 is internally compensated for all closed loop gains and is therefore optimized for all preamp and high level stages in PCM and HiFi systems.

The LM833 is pin-for-pin compatible with industry standard dual operational amplifiers.

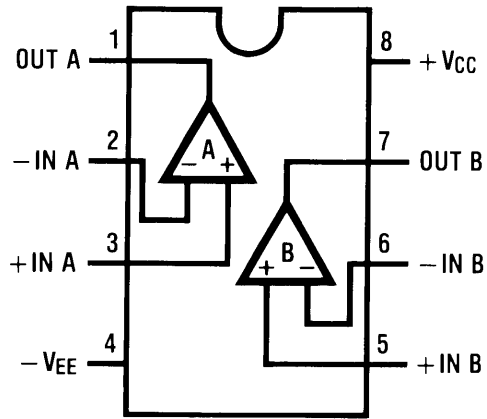
### Features

- Wide dynamic range: >140dB
- Low input noise voltage: 4.5nV/√Hz
- High slew rate: 7 V/μs (typ); 5V/μs (min)
- High gain bandwidth: 15MHz (typ); 10MHz (min)
- Wide power bandwidth: 120KHz
- Low distortion: 0.002%
- Low offset voltage: 0.3mV
- Large phase margin: 60°
- Available in 8 pin MSOP package

### Schematic Diagram (1/2 LM833)



### Connection Diagram



00521802

Order Number LM833M, LM833MX, LM833N, LM833MM or LM833MMX  
See NS Package Number  
M08A, N08E or MUA08A

**Absolute Maximum Ratings** (Note 1)

If Military/Aerospace specified devices are required, please contact the National Semiconductor Sales Office/Distributors for availability and specifications.

Supply Voltage $V_{CC}-V_{EE}$	36V
Differential Input Voltage (Note 3) $V_I$	$\pm 30V$
Input Voltage Range (Note 3) $V_{IC}$	$\pm 15V$
Power Dissipation (Note 4) $P_D$	500 mW
Operating Temperature Range $T_{OPR}$	$-40 \sim 85^\circ C$

Storage Temperature Range  $T_{STG}$   $-60 \sim 150^\circ C$ 

Soldering Information

Dual-In-Line Package	
Soldering (10 seconds)	$260^\circ C$
Small Outline Package (SOIC and MSOP)	
Vapor Phase (60 seconds)	$215^\circ C$
Infrared (15 seconds)	$220^\circ C$
ESD tolerance (Note 5)	1600V

**DC Electrical Characteristics** (Notes 1, 2) $(T_A = 25^\circ C, V_S = \pm 15V)$ 

Symbol	Parameter	Conditions	Min	Typ	Max	Units
$V_{OS}$	Input Offset Voltage	$R_S = 10\Omega$		0.3	5	mV
$I_{OS}$	Input Offset Current			10	200	nA
$I_B$	Input Bias Current			500	1000	nA
$A_V$	Voltage Gain	$R_L = 2\text{ k}\Omega, V_O = \pm 10V$	90	110		dB
$V_{OM}$	Output Voltage Swing	$R_L = 10\text{ k}\Omega$	$\pm 12$	$\pm 13.5$		V
		$R_L = 2\text{ k}\Omega$	$\pm 10$	$\pm 13.4$		V
$V_{CM}$	Input Common-Mode Range		$\pm 12$	$\pm 14.0$		V
CMRR	Common-Mode Rejection Ratio	$V_{IN} = \pm 12V$	80	100		dB
PSRR	Power Supply Rejection Ratio	$V_S = 15\sim 5V, -15\sim -5V$	80	100		dB
$I_Q$	Supply Current	$V_O = 0V, \text{Both Amps}$		5	8	mA

**AC Electrical Characteristics** $(T_A = 25^\circ C, V_S = \pm 15V, R_L = 2\text{ k}\Omega)$ 

Symbol	Parameter	Conditions	Min	Typ	Max	Units
SR	Slew Rate	$R_L = 2\text{ k}\Omega$	5	7		V/ $\mu s$
GBW	Gain Bandwidth Product	$f = 100\text{ kHz}$	10	15		MHz

**Design Electrical Characteristics** $(T_A = 25^\circ C, V_S = \pm 15V)$  The following parameters are not tested or guaranteed.

Symbol	Parameter	Conditions	Typ	Units
$\Delta V_{OS}/\Delta T$	Average Temperature Coefficient of Input Offset Voltage		2	$\mu V/^\circ C$
THD	Distortion	$R_L = 2\text{ k}\Omega, f = 20\sim 20\text{ kHz}$ $V_{OUT} = 3\text{ V}_{rms}, A_V = 1$	0.002	%
$e_n$	Input Referred Noise Voltage	$R_S = 100\Omega, f = 1\text{ kHz}$	4.5	$nV/\sqrt{Hz}$
$i_n$	Input Referred Noise Current	$f = 1\text{ kHz}$	0.7	$pA/\sqrt{Hz}$
PBW	Power Bandwidth	$V_O = 27\text{ V}_{pp}, R_L = 2\text{ k}\Omega, \text{THD} \leq 1\%$	120	kHz
$f_U$	Unity Gain Frequency	Open Loop	9	MHz
$\phi_M$	Phase Margin	Open Loop	60	deg
	Input Referred Cross Talk	$f = 20\sim 20\text{ kHz}$	-120	dB

## Design Electrical Characteristics (Continued)

**Note 1:** *Absolute Maximum Ratings* indicate limits beyond which damage to the device may occur. *Operating Ratings* indicate conditions for which the device is functional, but do not guarantee specific performance limits. *Electrical Characteristics* state DC and AC electrical specifications under particular test conditions which guarantee specific performance limits. This assumes that the device is within the Operating Ratings. Specifications are not guaranteed for parameters where no limit is given, however, the typical value is a good indication of device performance.

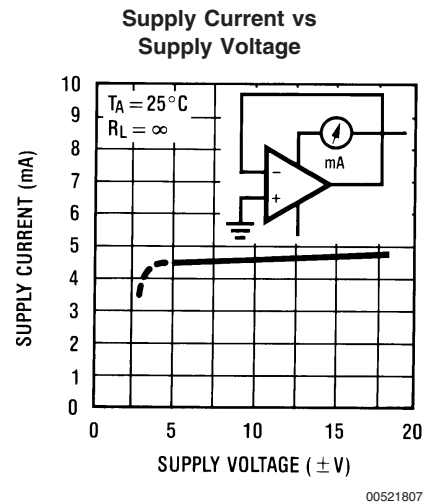
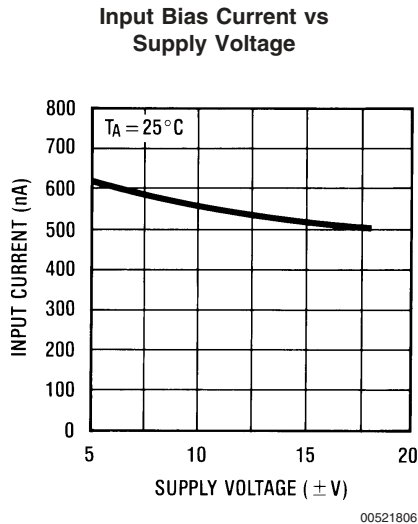
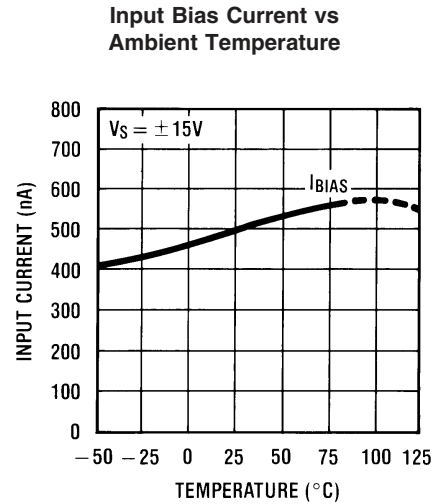
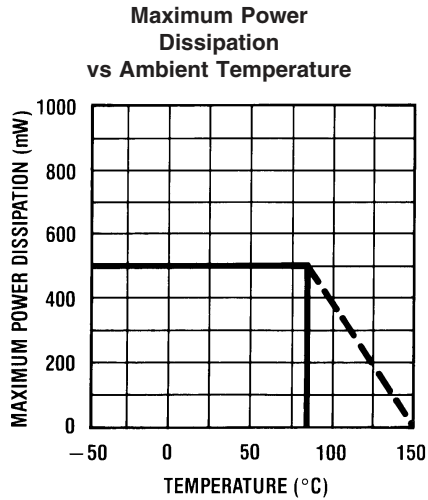
**Note 2:** All voltages are measured with respect to the ground pin, unless otherwise specified.

**Note 3:** If supply voltage is less than  $\pm 15\text{V}$ , it is equal to supply voltage.

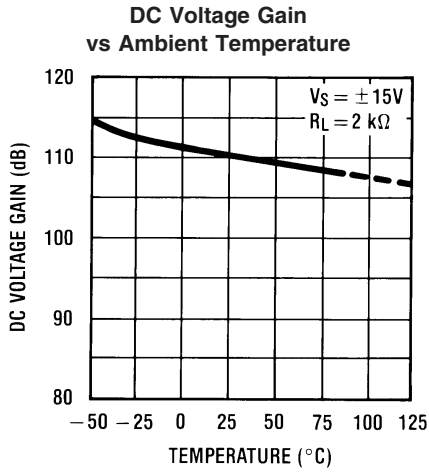
**Note 4:** This is the permissible value at  $T_A \leq 85^\circ\text{C}$ .

**Note 5:** Human body model,  $1.5\text{ k}\Omega$  in series with  $100\text{ pF}$ .

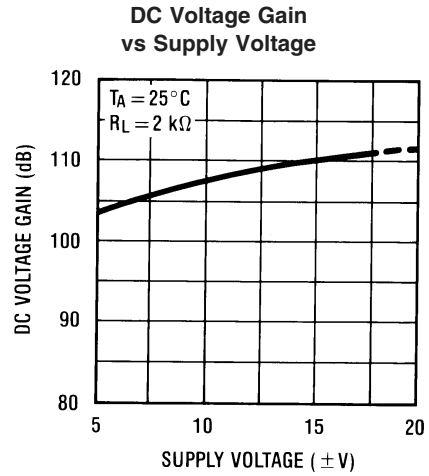
## Typical Performance Characteristics



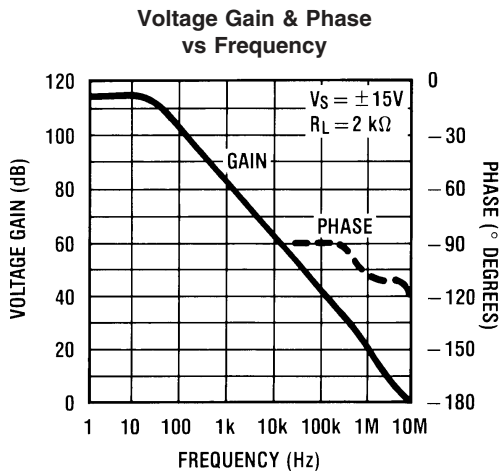
Typical Performance Characteristics (Continued)



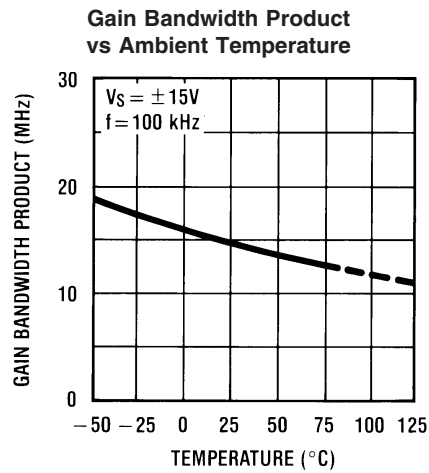
00521808



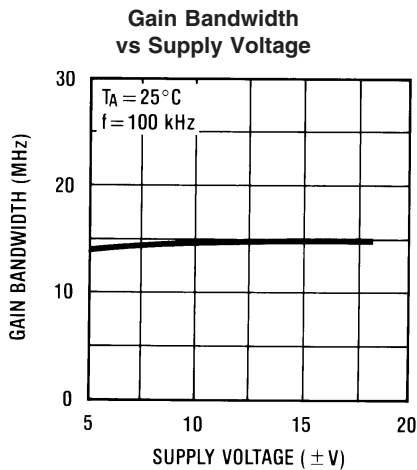
00521809



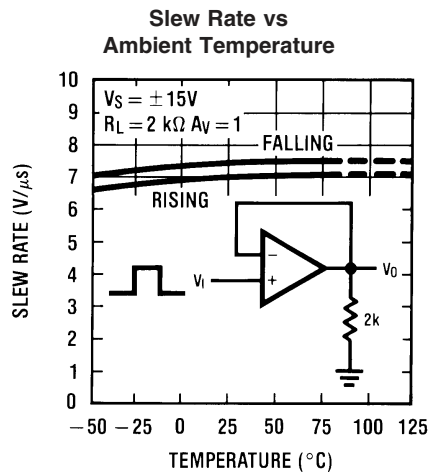
00521810



00521811

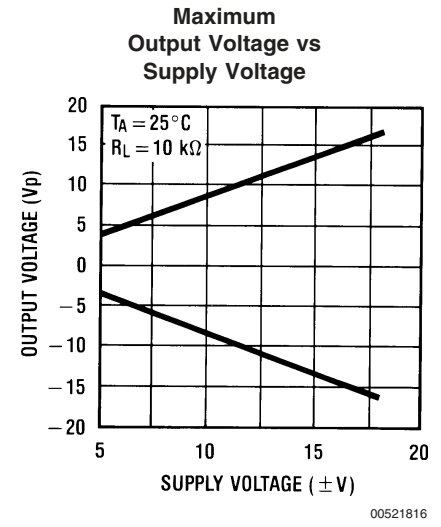
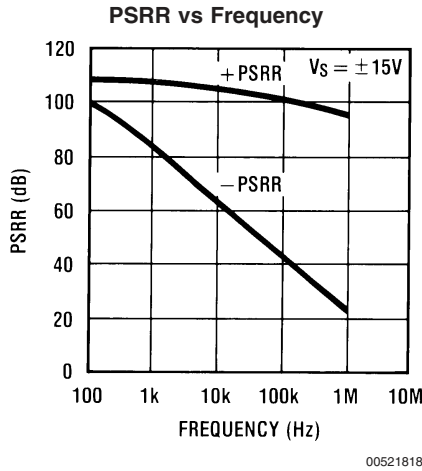
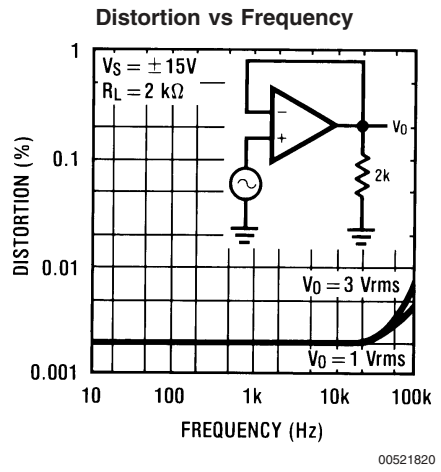
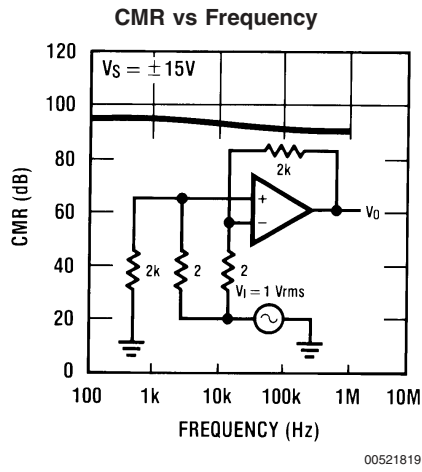
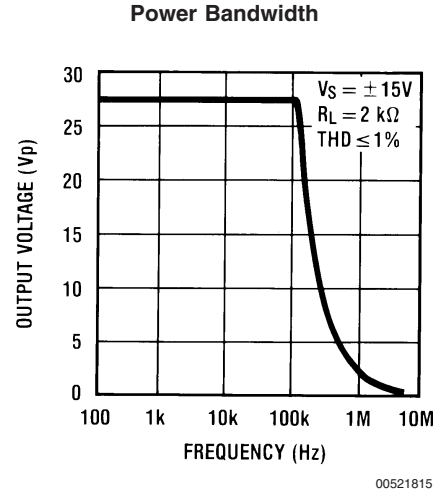
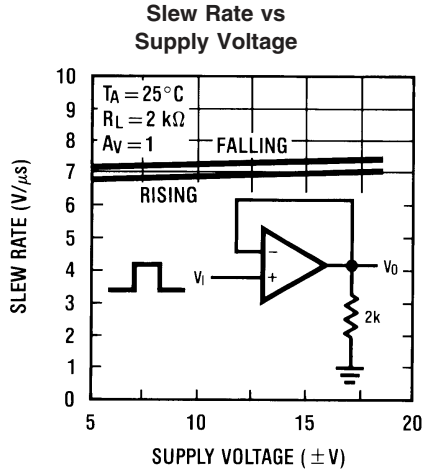


00521812

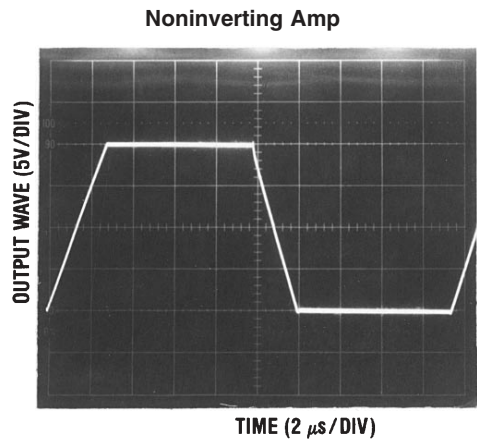
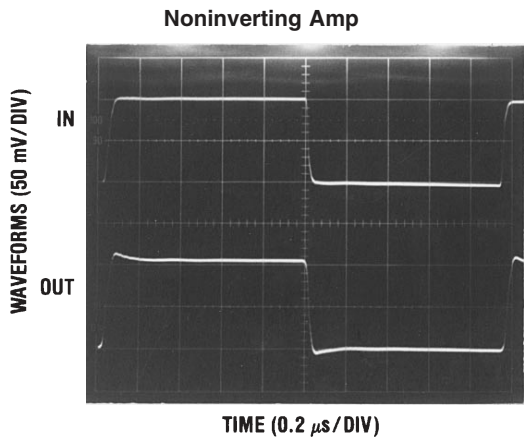
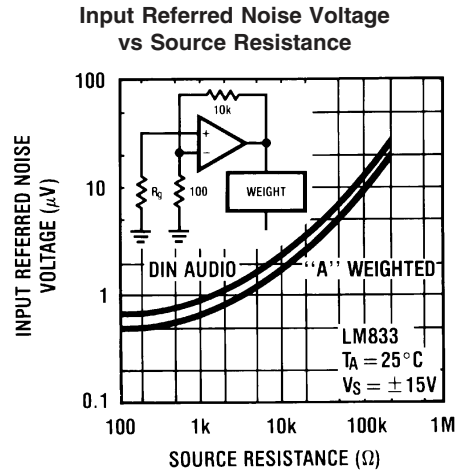
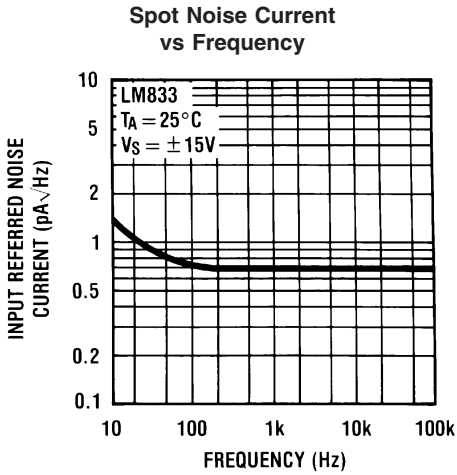
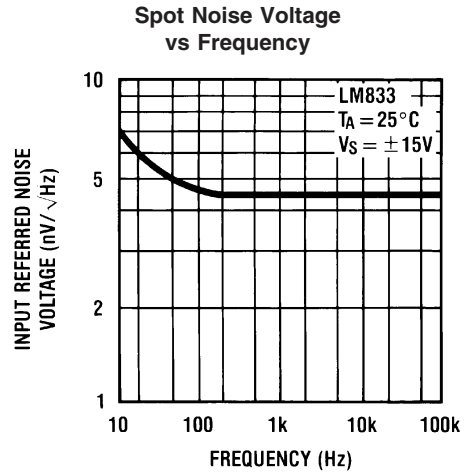
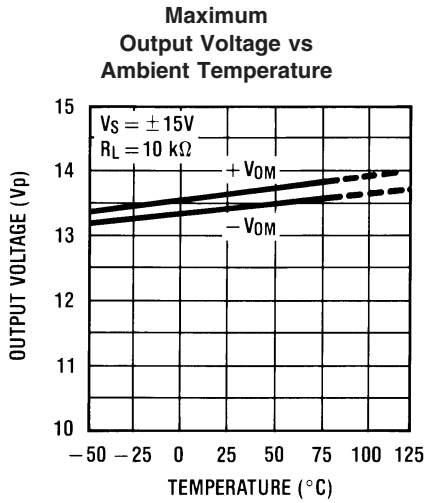


00521813

Typical Performance Characteristics (Continued)

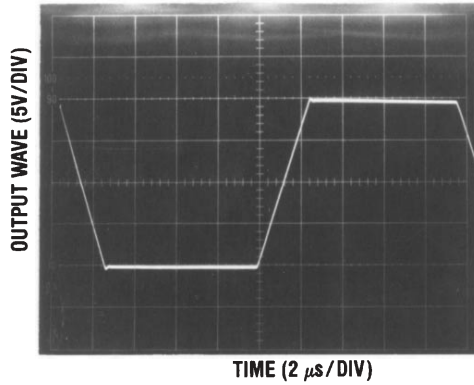


Typical Performance Characteristics (Continued)



## Typical Performance Characteristics (Continued)

Inverting Amp



00521826

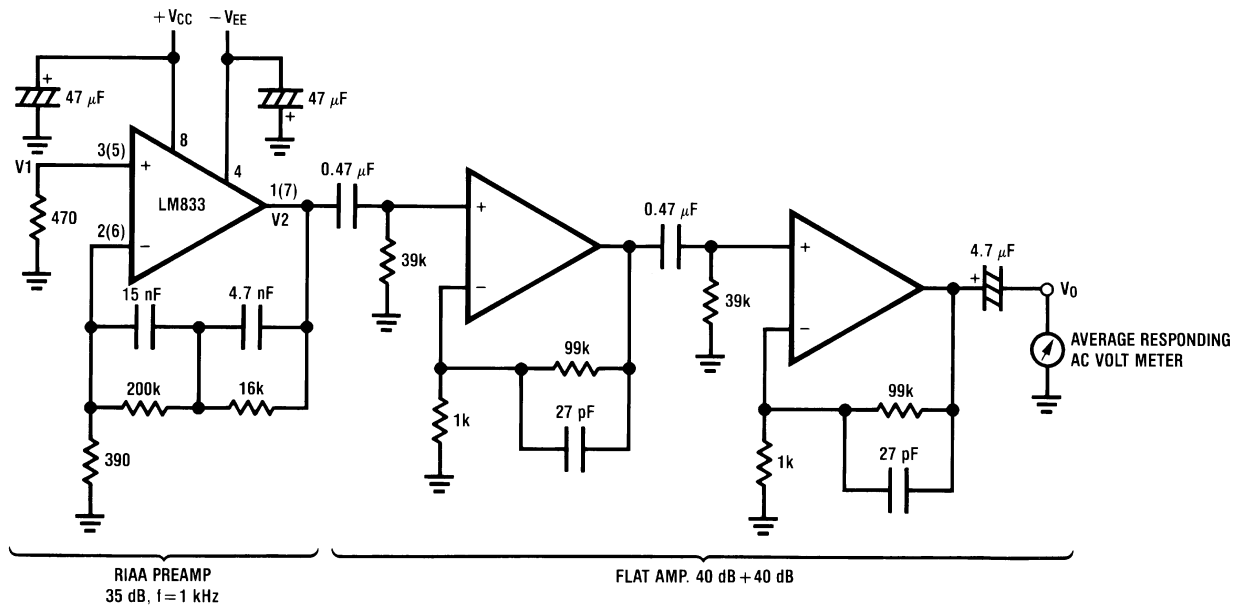
### Application Hints

The LM833 is a high speed op amp with excellent phase margin and stability. Capacitive loads up to 50 pF will cause little change in the phase characteristics of the amplifiers and are therefore allowable.

Capacitive loads greater than 50 pF must be isolated from the output. The most straightforward way to do this is to put

a resistor in series with the output. This resistor will also prevent excess power dissipation if the output is accidentally shorted.

### Noise Measurement Circuit



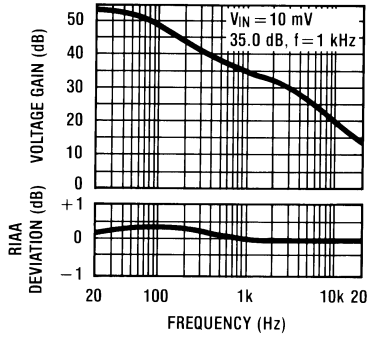
00521827

Complete shielding is required to prevent induced pick up from external sources. Always check with oscilloscope for power line noise.

**Total Gain: 115 dB @  $f = 1$  kHz**  
**Input Referred Noise Voltage:  $e_n = V_0/560,000$  (V)**

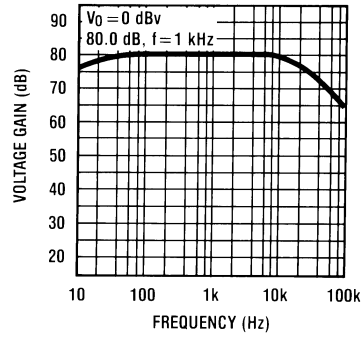


RIAA Preamp Voltage Gain, RIAA Deviation vs Frequency



00521828

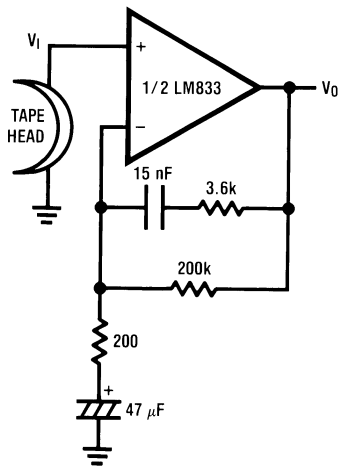
Flat Amp Voltage Gain vs Frequency



00521829

## Typical Applications

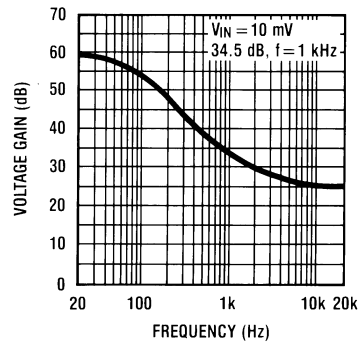
NAB Preamp



00521830

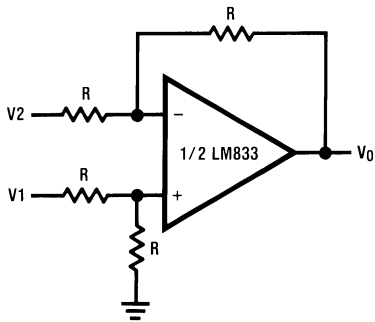
$A_V = 34.5$   
 $F = 1 \text{ kHz}$   
 $E_n = 0.38 \mu\text{V}$   
 A Weighted

NAB Preamp Voltage Gain vs Frequency



00521831

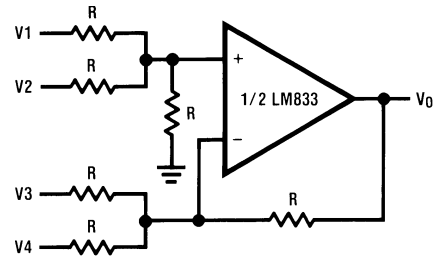
Balanced to Single Ended Converter



00521832

$V_O = V_1 - V_2$

Adder/Subtractor

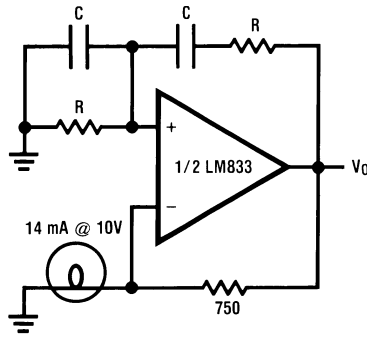


00521833

$V_O = V_1 + V_2 - V_3 - V_4$

Typical Applications (Continued)

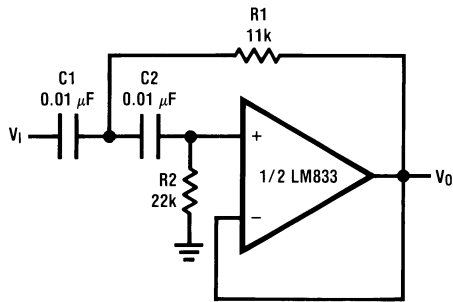
Sine Wave Oscillator



00521834

$$f_0 = \frac{1}{2\pi RC}$$

Second Order High Pass Filter (Butterworth)



00521835

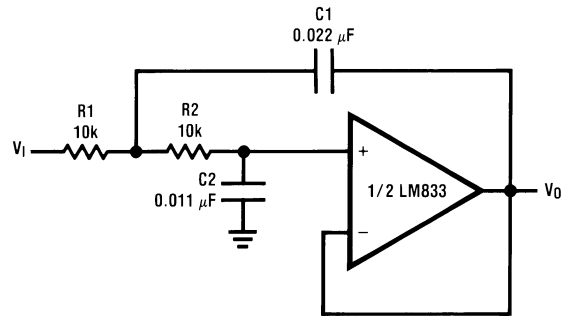
if  $C1 = C2 = C$

$$R1 = \frac{\sqrt{2}}{2\omega_0 C}$$

$$R2 = 2 \cdot R1$$

Illustration is  $f_0 = 1$  kHz

Second Order Low Pass Filter (Butterworth)



00521836

if  $R1 = R2 = R$

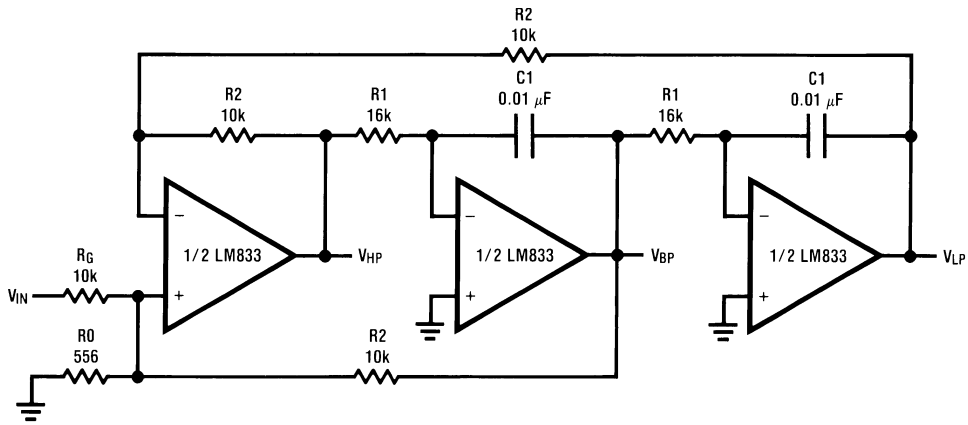
$$C1 = \frac{\sqrt{2}}{\omega_0 R}$$

$$C2 = \frac{C1}{2}$$

Illustration is  $f_0 = 1$  kHz

Typical Applications (Continued)

State Variable Filter

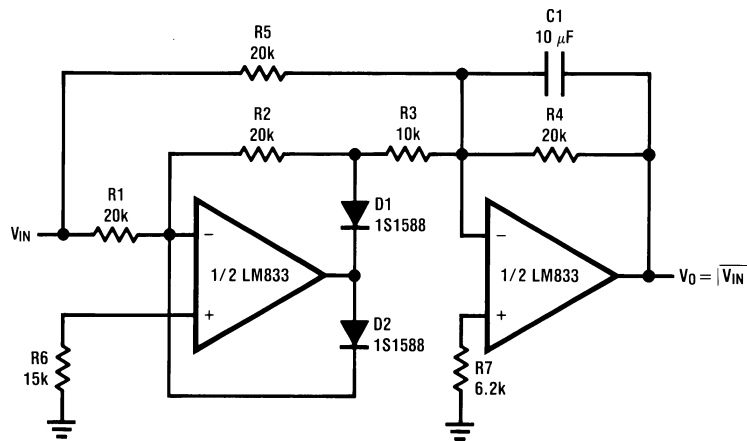


00521837

$$f_0 = \frac{1}{2\pi C1R1}, Q = \frac{1}{2} \left( 1 + \frac{R2}{R0} + \frac{R2}{RG} \right), A_{BP} = QA_{LP} = QA_{LH} = \frac{R2}{RG}$$

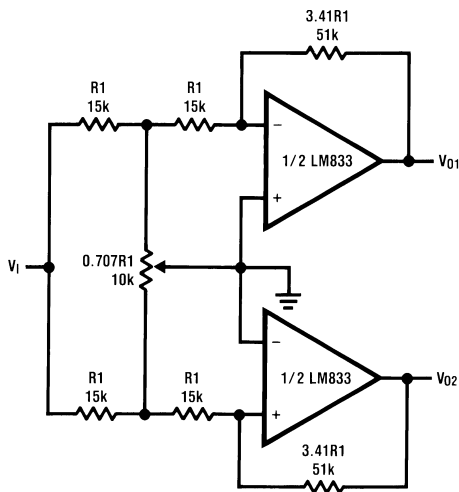
Illustration is  $f_0 = 1$  kHz,  $Q = 10$ ,  $A_{BP} = 1$

AC/DC Converter



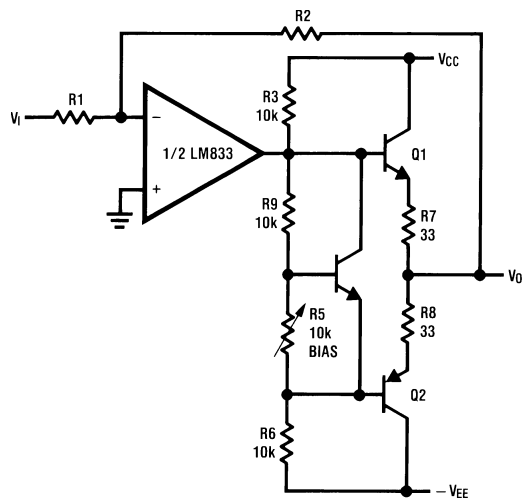
00521838

2 Channel Panning Circuit (Pan Pot)



00521839

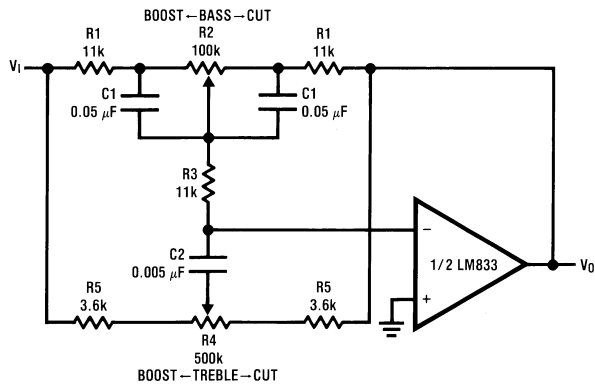
Line Driver



00521840

# Typical Applications (Continued)

## Tone Control



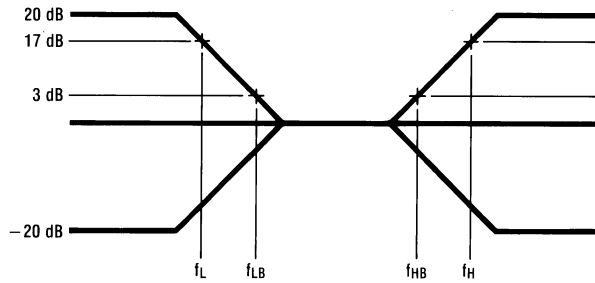
00521841

$$f_L = \frac{1}{2\pi R_2 C_1}, f_{LB} = \frac{1}{2\pi R_1 C_1}$$

$$f_H = \frac{1}{2\pi R_5 C_2}, f_{HB} = \frac{1}{2\pi (R_1 + R_5 + 2R_3) C_2}$$

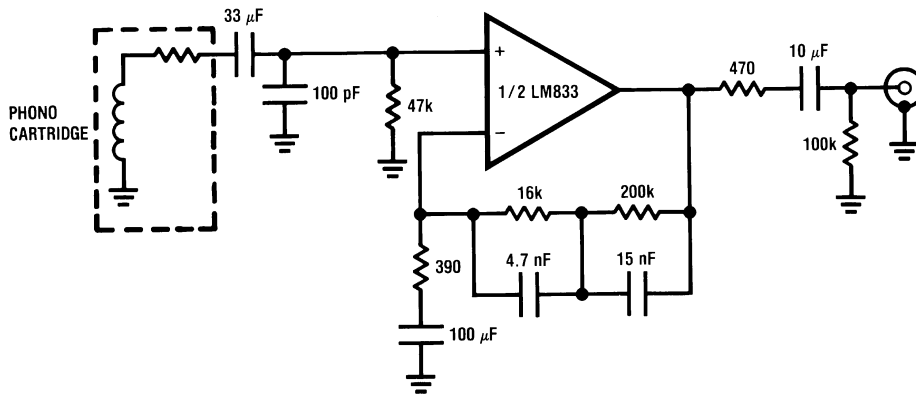
Illustration is:

$f_L = 32 \text{ Hz}, f_{LB} = 320 \text{ Hz}$   
 $f_H = 11 \text{ kHz}, f_{HB} = 1.1 \text{ kHz}$



00521842

## RIAA Preamp

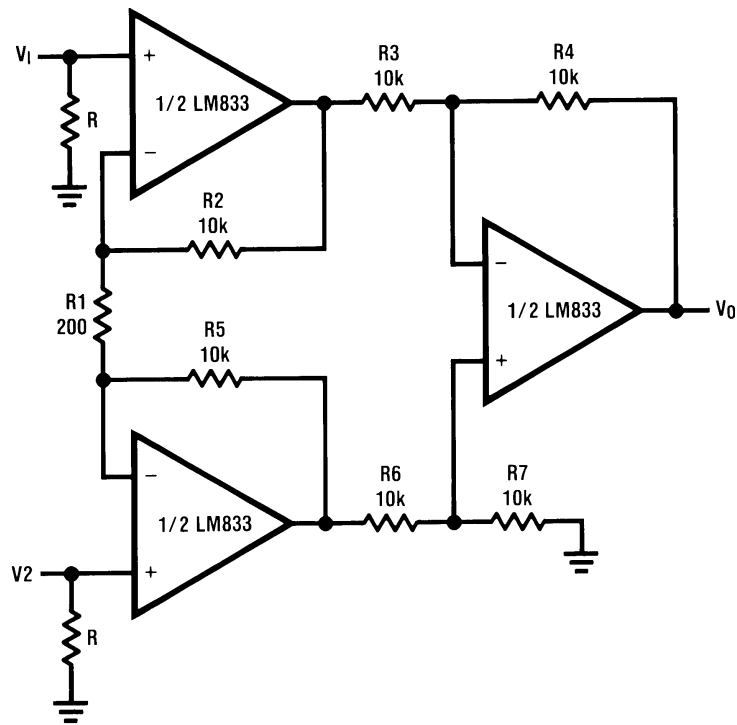


00521803

$A_v = 35 \text{ dB}$   
 $E_n = 0.33 \mu\text{V}$   
 $S/N = 90 \text{ dB}$   
 $f = 1 \text{ kHz}$   
 A Weighted  
 A Weighted,  $V_{IN} = 10 \text{ mV}$   
 $@f = 1 \text{ kHz}$

# Typical Applications (Continued)

## Balanced Input Mic Amp



00521843

If  $R_2 = R_5$ ,  $R_3 = R_6$ ,  $R_4 = R_7$

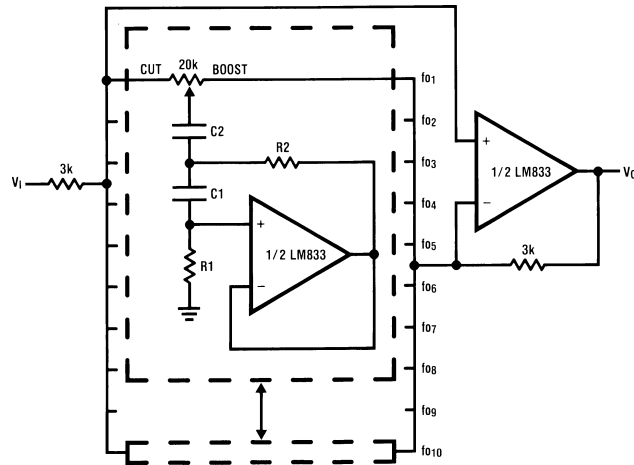
$$V_0 = \left(1 + \frac{2R_2}{R_1}\right) \frac{R_4}{R_3} (V_2 - V_1)$$

Illustration is:

$$V_0 = 101(V_2 - V_1)$$

# Typical Applications (Continued)

## 10 Band Graphic Equalizer



00521844

fo(Hz)	C <sub>1</sub>	C <sub>2</sub>	R <sub>1</sub>	R <sub>2</sub>
32	0.12μF	4.7μF	75kΩ	500Ω
64	0.056μF	3.3μF	68kΩ	510Ω
125	0.033μF	1.5μF	62kΩ	510Ω
250	0.015μF	0.82μF	68kΩ	470Ω
500	8200pF	0.39μF	62kΩ	470Ω
1k	3900pF	0.22μF	68kΩ	470Ω
2k	2000pF	0.1μF	68kΩ	470Ω
4k	1100pF	0.056μF	62kΩ	470Ω
8k	510pF	0.022μF	68kΩ	510Ω
16k	330pF	0.012μF	51kΩ	510Ω

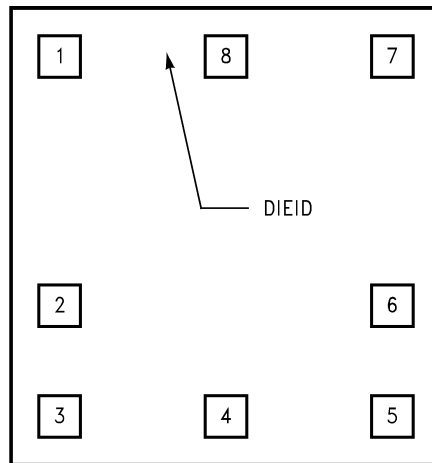
**Note 6:** At volume of change = ±12 dB

Q = 1.7

Reference: "AUDIO/RADIO HANDBOOK", National Semiconductor, 1980, Page 2-61

## Typical Applications (Continued)

LM833 MDC MWC  
DUAL AUDIO OPERATIONAL AMPLIFIER



00521854

Die Layout (A - Step)

## DIE/WAFER CHARACTERISTICS

Fabrication Attributes		General Die Information	
Physical Die Identification	LM833A	Bond Pad Opening Size (min)	110 $\mu$ m x 110 $\mu$ m
Die Step	A	Bond Pad Metalization	ALUMINUM
Physical Attributes		Passivation	VOM NITRIDE
Wafer Diameter	150mm	Back Side Metal	BARE BACK
Dise Size (Drawn)	1219 $\mu$ m x 1270 $\mu$ m 48mils x 50mils	Back Side Connection	Floating
Thickness	406 $\mu$ m Nominal		
Min Pitch	288 $\mu$ m Nominal		

### Special Assembly Requirements:

**Note: Actual die size is rounded to the nearest micron.**

### Die Bond Pad Coordinate Locations (A - Step)

(Referenced to die center, coordinates in  $\mu$ m) NC = No Connection

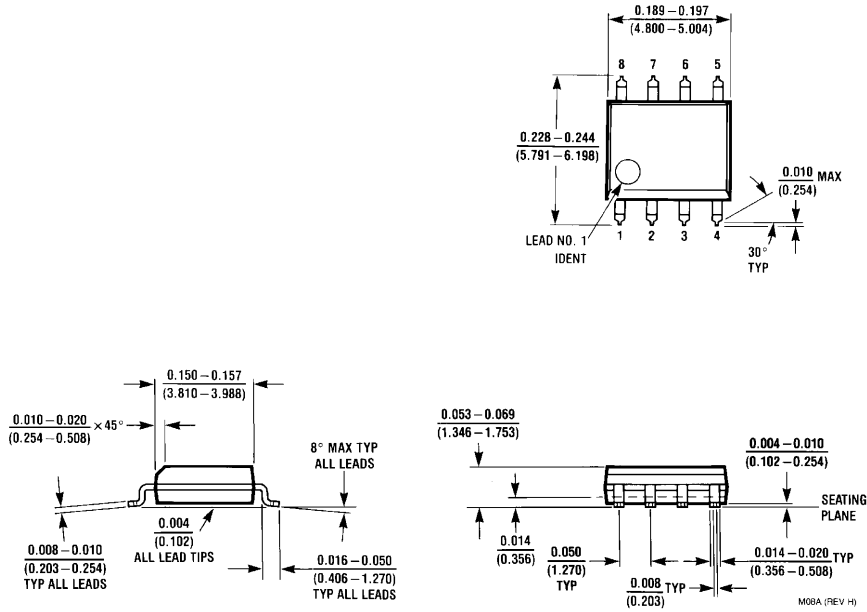
SIGNAL NAME	PAD# NUMBER	X/Y COORDINATES		PAD SIZE		
		X	Y	X		Y
OUTPUT A	1	-476	500	110	x	110
INPUT A-	2	-476	-212	110	x	110
INPUT A+	3	-476	-500	110	x	110
VEE-	4	-0	-500	110	x	110
INPUT B+	5	476	-500	110	x	110
INPUT B-	6	476	-212	110	x	110
OUTPUT B	7	476	500	110	x	110
VCC+	8	0	500	110	x	110

**Typical Applications** (Continued)

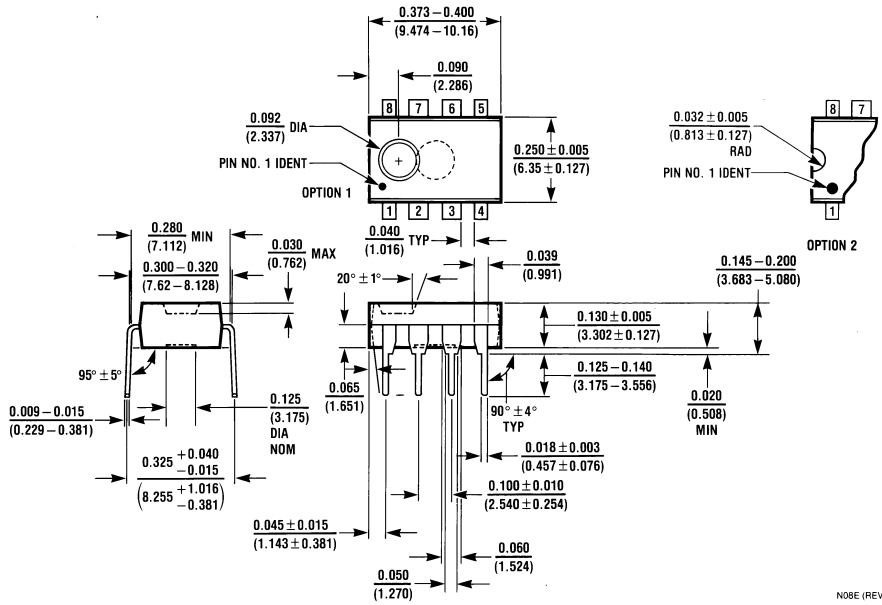
<b>IN U.S.A</b>	
Tel #:	1 877 Dial Die 1 877 342 5343
Fax:	1 207 541 6140
<b>IN EUROPE</b>	
Tel:	49 (0) 8141 351492 / 1495
Fax:	49 (0) 8141 351470
<b>IN ASIA PACIFIC</b>	
Tel:	(852) 27371701
<b>IN JAPAN</b>	
Tel:	81 043 299 2308



**Physical Dimensions** inches (millimeters) unless otherwise noted

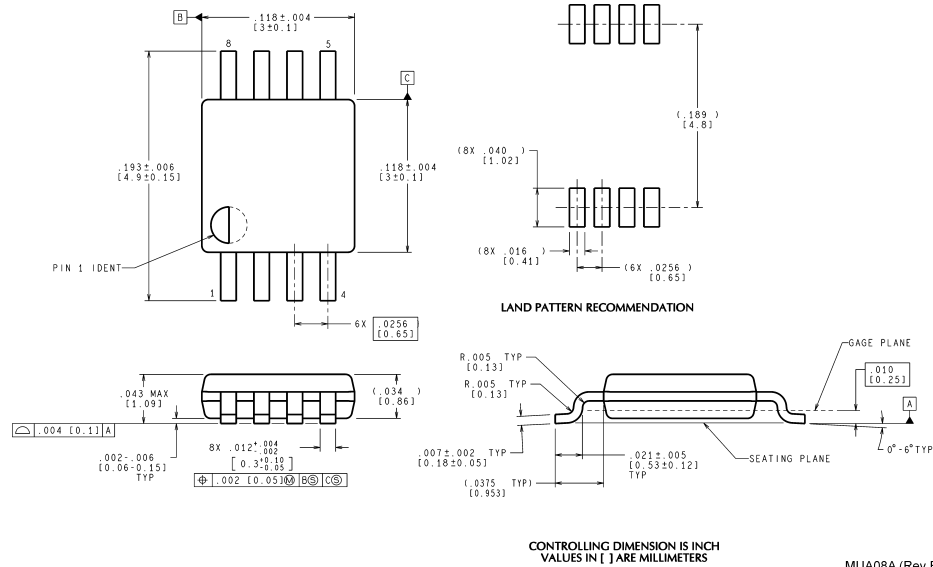


**Molded Small Outline Package (M)**  
**Order Number LM833M or LM833MX**  
**NS Package Number M08A**



**Molded Dual-In-Line Package (N)**  
**Order Number LM833N**  
**NS Package Number N08E**

**Physical Dimensions** inches (millimeters) unless otherwise noted (Continued)



MUA08A (Rev E)

**8-Lead (0.118" Wide) Molded Mini Small Outline Package**  
**Order Number LM833MM or LM833MMX**  
**NS Package Number MUA08A**

National does not assume any responsibility for use of any circuitry described, no circuit patent licenses are implied and National reserves the right at any time without notice to change said circuitry and specifications.

For the most current product information visit us at [www.national.com](http://www.national.com).


**LIFE SUPPORT POLICY**

NATIONAL'S PRODUCTS ARE NOT AUTHORIZED FOR USE AS CRITICAL COMPONENTS IN LIFE SUPPORT DEVICES OR SYSTEMS WITHOUT THE EXPRESS WRITTEN APPROVAL OF THE PRESIDENT AND GENERAL COUNSEL OF NATIONAL SEMICONDUCTOR CORPORATION. As used herein:

1. Life support devices or systems are devices or systems which, (a) are intended for surgical implant into the body, or (b) support or sustain life, and whose failure to perform when properly used in accordance with instructions for use provided in the labeling, can be reasonably expected to result in a significant injury to the user.
2. A critical component is any component of a life support device or system whose failure to perform can be reasonably expected to cause the failure of the life support device or system, or to affect its safety or effectiveness.

**BANNED SUBSTANCE COMPLIANCE**

National Semiconductor certifies that the products and packing materials meet the provisions of the Customer Products Stewardship Specification (CSP-9-111C2) and the Banned Substances and Materials of Interest Specification (CSP-9-111S2) and contain no "Banned Substances" as defined in CSP-9-111S2.

 **National Semiconductor**  
**Americas Customer Support Center**  
 Email: [new.feedback@nsc.com](mailto:new.feedback@nsc.com)  
 Tel: 1-800-272-9959

**National Semiconductor**  
**Europe Customer Support Center**  
 Fax: +49 (0) 180-530 85 86  
 Email: [europa.support@nsc.com](mailto:europa.support@nsc.com)  
 Deutsch Tel: +49 (0) 69 9508 6208  
 English Tel: +44 (0) 870 24 0 2171  
 Français Tel: +33 (0) 1 41 91 8790

**National Semiconductor**  
**Asia Pacific Customer Support Center**  
 Email: [ap.support@nsc.com](mailto:ap.support@nsc.com)

**National Semiconductor**  
**Japan Customer Support Center**  
 Fax: 81-3-5639-7507  
 Email: [jpn.feedback@nsc.com](mailto:jpn.feedback@nsc.com)  
 Tel: 81-3-5639-7560