



TE Internal #: 292303-3  
 USB Connectors, A, 2.0, Standard Profile, Receptacle, 1 Port, Top,  
 Right Angle, Tube / Box & Tray, Flush, Through Hole - Solder,  
 Cable-to-Board

[View on TE.com >](#)

Connectors > Audio & Video Connectors > USB Connectors



USB Connector Type: **A**  
 USB Version: **2.0**  
 Connector Profile: **Standard**  
 Connector & Housing Type: **Receptacle**  
 Number of Ports: **1**

### Features

#### Product Type Features

USB Connector Type	A
USB Version	2.0
Connector & Housing Type	Receptacle
Connector System	Cable-to-Board
Connector & Contact Terminates To	Printed Circuit Board
Product Type	Connector
LED	Without

#### Configuration Features

Number of Mounting Legs	2
Number of Ports	1
Number of Positions	4

#### Body Features

Shell Plating Finish	Bright
Connector Profile	Standard



Shell Plating Material	Tin
------------------------	-----

### Contact Features

Contact Current Rating (Max)	1 A
Contact Mating Area Plating Material	Gold or Gold Flash over Palladium Nickel
Contact Mating Area Plating Thickness	.76 $\mu\text{m}$ [29.92 $\mu\text{in}$ ]

### Termination Features

Termination Method to Printed Circuit Board	Through Hole - Solder
---------------------------------------------	-----------------------

### Mechanical Attachment

Locking Feature	With
Locating Posts	Without
PCB Mount Location	Top
PCB Connector Seating	Flush
PCB Mount Retention Type	Kinked Legs
Panel Mount Feature Type	Flange
Connector Mounting Type	Board Mount

### Housing Features

Body Orientation	Right Angle
Centerline (Pitch)	2 mm, 2.5 mm[.078 in][.098 in]
Housing Material	Thermoplastic
Housing Color	Natural

### Dimensions

Tail Length	2.84 mm[.112 in]
PCB Thickness (Recommended)	1.57 mm[.062 in]

### Usage Conditions

Soldering Temperature (Max)	240 $^{\circ}\text{C}$ [464 $^{\circ}\text{F}$ ]
Mating Cycles (Max)	1500
Operating Temperature Range	-55 – 85 $^{\circ}\text{C}$ [-67 – 185 $^{\circ}\text{F}$ ]

### Operation/Application

Halogen Free	No
Circuit Application	Power & Signal

### Industry Standards

Moisture Sensitivity Level	1
----------------------------	---



Industry Standard	USB 2.0
-------------------	---------

UL Flammability Rating	UL 94V-0
------------------------	----------

### Packaging Features

Packaging Method	Box & Tray, Tube
------------------	------------------

Packaging Quantity	30
--------------------	----

### Product Compliance

[For compliance documentation, visit the product page on TE.com>](#)

EU RoHS Directive 2011/65/EU	Compliant
------------------------------	-----------

EU ELV Directive 2000/53/EC	Compliant
-----------------------------	-----------

China RoHS 2 Directive MIIT Order No 32, 2016	No Restricted Materials Above Threshold
-----------------------------------------------	-----------------------------------------

EU REACH Regulation (EC) No. 1907/2006	Current ECHA Candidate List: JAN 2022 (223) Candidate List Declared Against: JAN 2022 (223) Does not contain REACH SVHC
----------------------------------------	-------------------------------------------------------------------------------------------------------------------------------

Halogen Content	Not Low Halogen - contains Br or Cl > 900 ppm.
-----------------	------------------------------------------------

Solder Process Capability	Wave solder capable to 265°C
---------------------------	------------------------------

#### Product Compliance Disclaimer

This information is provided based on reasonable inquiry of our suppliers and represents our current actual knowledge based on the information they provided. This information is subject to change. The part numbers that TE has identified as EU RoHS compliant have a maximum concentration of 0.1% by weight in homogenous materials for lead, hexavalent chromium, mercury, PBB, PBDE, DBP, BBP, DEHP, DIBP, and 0.01% for cadmium, or qualify for an exemption to these limits as defined in the Annexes of Directive 2011/65/EU (RoHS2). Finished electrical and electronic equipment products will be CE marked as required by Directive 2011/65/EU. Components may not be CE marked. Additionally, the part numbers that TE has identified as EU ELV compliant have a maximum concentration of 0.1% by weight in homogenous materials for lead, hexavalent chromium, and mercury, and 0.01% for cadmium, or qualify for an exemption to these limits as defined in the Annexes of Directive 2000/53/EC (ELV). Regarding the REACH Regulation, the information TE provides on SVHC in articles for this part number is based on the latest European Chemicals Agency (ECHA) 'Guidance on requirements for substances in articles' posted at this URL: <https://echa.europa.eu/guidance-documents/guidance-on-reach>

### Compatible Parts



TE Part # 1827525-1  
MECHATROLINK II CONNECTOR KIT



TE Part # 1-1734028-1  
Std USB, Type A, Plug, Natural



TE Part # 1734028-1  
Std USB Type A, Plug, Natural



TE Part # 1734372-1  
Std USB, Type A, Plug



TE Part # 1487593-1  
USB, A-BLUNT,28/24,WHT,2.0M



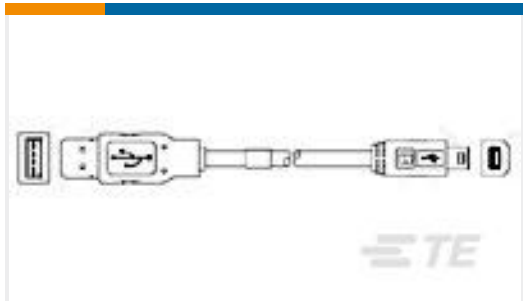
TE Part # 1487599-1  
USB, A-BLUNT,28/28,BLK,0.83M



TE Part # 1-1734028-3  
Std USB, Type A, Plug



TE Part # 1734372-2  
Std USB, Type A, Plug, White



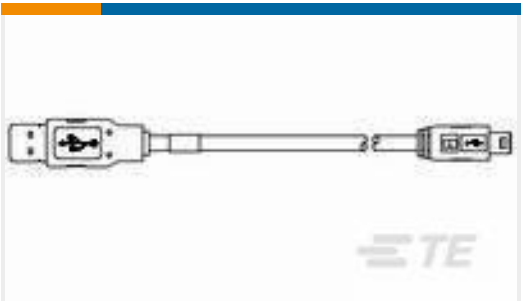
TE Part # 1496476-1  
STD USB-A TO MINI-B ASSY, 1M



TE Part # 1487600-1  
USB, A-BLUNT,28/26,BLK,1.0M



TE Part # 1487591-1  
USB, A-BLUNT,28/28,WHT,0.83M



TE Part # 1929690-1  
USB CABLE, USB A to Mini USB,Blue

### Customers Also Bought



TE Part #1-5745967-0  
25 RCPT SP/FMS INSRT



TE Part #6-146252-3  
26 MODII HDR DRST B/A .100 LF



TE Part #5-103904-4  
5 MTE HDR SRRA LATCH W/HLDWN



TE Part #2-1123723-4  
3.96 EP HDR ASSY 4P(YELLOW)



TE Part #1-2176091-8  
RP 2A 0.25W 86R6 0.1% 25PPM 1K RL



TE Part #3-1624108-1  
3640 0402 4.7nH +/-0.2nH 1K RL



TE Part #8-2176092-1  
RP 2A 0.25W 5K36 0.1% 25PPM 1K RL



TE Part #2-1625885-3  
1W SM M/OX 5% 150R

### Documents



### CAD Files

#### 3D PDF

3D

#### Customer View Model

[ENG\\_CVM\\_CVM\\_292303-3\\_E.2d\\_dxf.zip](#)

English

#### Customer View Model

[ENG\\_CVM\\_CVM\\_292303-3\\_E.3d\\_igs.zip](#)

English

#### Customer View Model

[ENG\\_CVM\\_CVM\\_292303-3\\_E.3d\\_stp.zip](#)

English

By downloading the CAD file I accept and agree to the [Terms and Conditions](#) of use.

### Product Specifications

#### Application Specification

English

### Product Environmental Compliance

#### TE Material Declaration

English