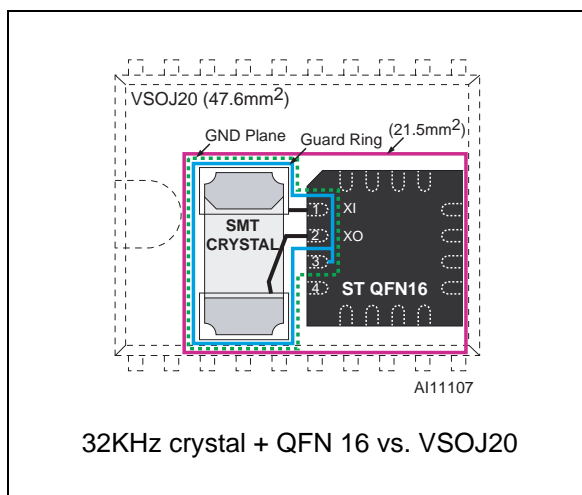
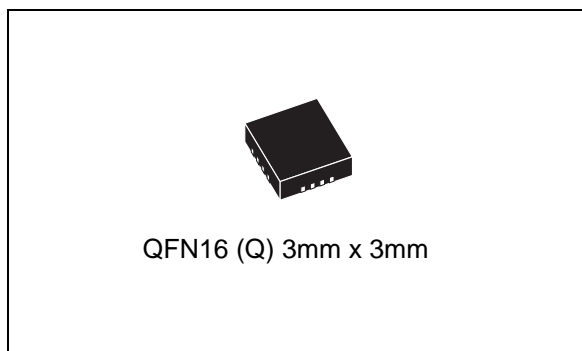


Serial Access Real-Time Clock with Alarms

Feature summary

- Counters for tenths/hundredths of seconds, seconds, minutes, hours, day, date, month, year, and century
- 32 KHz crystal oscillator integrating load capacitance and high crystal series resistance operation
- Oscillator stop detection monitors clock operation
- Serial interface supports I²C bus (400kHz)
- 350nA timekeeping current @ 3V
- Low operating current of 35µA (@400kHz)
- Timekeeping down to 1.0V
- 1.3V to 4.4V I²C bus operating voltage
- 32KHz square wave on power-up to drive a microcontroller in low power mode (M41T62/63/64)
- Programmable (1Hz to 32KHz) square wave (M41T63/64)
- Programmable alarm with interrupt function (M41T62/65)
- Accurate programmable watchdog (from 62.5ms to 31 min)
- Software clock calibration to compensate deviation of crystal due to temperature
- Automatic leap year compensation



- Operating temperature of -40 to 85°C
- Lead-free 16-pin QFN package
- Lithium ion rechargeable operation

Table 1. Device options

	Basic RTC	Alarms	OSC fail detect	Watchdog timer	Calibration	SQW output	IRQ output	WDO output	F _{32K} output
M41T62	✓	✓	✓	✓	✓	✓	✓		
M41T63	✓	✓	✓	✓	✓	✓		✓	
M41T64	✓	✓	✓	✓	✓	✓			✓
M41T65	✓	✓	✓	✓	✓		✓	✓	

Contents

1	Summary description	5
2	Operation	12
2.1	2-wire bus characteristics	12
2.1.1	Bus not busy	12
2.1.2	Start data transfer	12
2.1.3	Stop data transfer	12
2.1.4	Data valid	13
2.1.5	Acknowledge	13
2.2	READ mode	14
2.3	WRITE mode	16
3	Clock operation	17
3.1	TIMEKEEPER® registers	18
3.2	Calibrating the clock	23
3.3	Setting alarm clock registers	25
3.4	Watchdog timer	26
3.5	Watchdog output (WDO - M41T63/65 only)	26
3.6	Square wave output (M41T62/63/64)	27
3.7	Full-time 32KHz square wave output (M41T64)	27
3.8	Century bits	28
3.9	Output driver pin (M41T62/65)	28
3.10	Oscillator stop detection	28
3.11	Initial power-on defaults	28
4	Maximum rating	30
5	DC and AC parameters	31
6	Package mechanical information	35
7	Part numbering	38
8	Revision history	39

List of tables

Table 1.	Device options	1
Table 2.	Signal names	9
Table 3.	M41T62 register map	19
Table 4.	M41T63 register map	20
Table 5.	M41T64 register map	21
Table 6.	M41T65 register map	22
Table 7.	Alarm repeat modes	25
Table 8.	Square wave output frequency	27
Table 9.	Initial power-on default values	29
Table 10.	Century bits examples	29
Table 11.	Absolute maximum ratings	30
Table 12.	Operating and AC measurement conditions	31
Table 13.	Capacitance	32
Table 14.	DC characteristics	32
Table 15.	Crystal electrical characteristics	33
Table 16.	Oscillator characteristics	33
Table 17.	AC characteristics	34
Table 18.	QFN16 – 16-lead, Quad, Flat Package, no Lead, 3x3mm body size, mechanical data . . .	36
Table 19.	Ordering information scheme	38
Table 20.	Revision history	39

List of figures

Figure 1.	M41T62 logic diagram	5
Figure 2.	M41T64 logic diagram	6
Figure 3.	M41T63 logic diagram	6
Figure 4.	M41T65 logic diagram	7
Figure 5.	M41T62 connections	7
Figure 6.	M41T63 connections	8
Figure 7.	M41T64 connections	8
Figure 8.	M41T65 connections	8
Figure 9.	M41T62 block diagram	9
Figure 10.	M41T63 block diagram	9
Figure 11.	M41T64 block diagram	10
Figure 12.	M41T65 block diagram	10
Figure 13.	Hardware hookup for SuperCap™ back-up operation	11
Figure 14.	Serial bus data transfer sequence	13
Figure 15.	Acknowledgement sequence	14
Figure 16.	Slave address location	15
Figure 17.	READ mode sequence	15
Figure 18.	Alternative READ mode sequence	15
Figure 19.	WRITE mode sequence	16
Figure 20.	Crystal accuracy across temperature	24
Figure 21.	Calibration waveform	24
Figure 22.	Alarm interrupt reset waveform	25
Figure 23.	AC measurement I/O waveform	31
Figure 24.	Crystal isolation example	31
Figure 25.	Bus timing requirements sequence	33
Figure 26.	QFN16 – 16-lead, Quad, Flat Package, no Lead, 3x3mm body size, outline	35
Figure 27.	QFN16 – 16-lead, Quad, Flat Package, no Lead, 3x3mm, recommended footprint	36
Figure 28.	32KHz crystal + QFN16 vs. VSOJ20 mechanical data	37

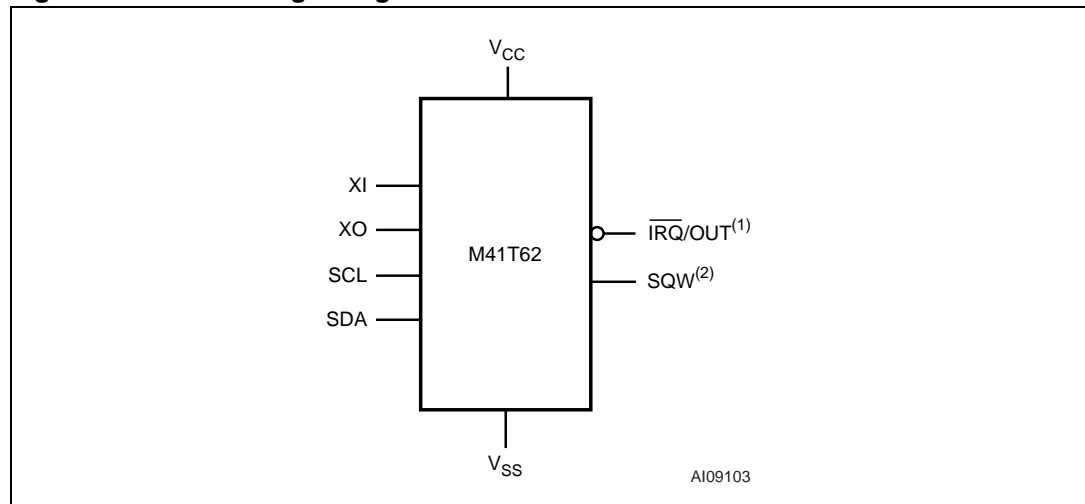
1 Summary description

The M41T6x Serial Access TIMEKEEPER® is a low power Serial RTC with a built-in 32.768 kHz oscillator (external crystal controlled). Eight registers (see [Table 3 on page 19](#)) are used for the clock/calendar function and are configured in binary coded decimal (BCD) format. An additional 8 registers provide status/control of Alarm, 32KHz output, Calibration, and Watchdog functions. Addresses and data are transferred serially via a two line, bi-directional I²C interface. The built-in address register is incremented automatically after each WRITE or READ data byte.

Functions available to the user include a time-of-day clock/calendar, Alarm interrupts (M41T62/65), 32KHz output (M41T64), programmable Square Wave output (M41T62/63/64), and Watchdog output (M41T63/65). The eight clock address locations contain the century, year, month, date, day, hour, minute, second and tenths/hundredths of a second in 24 hour BCD format. Corrections for 28-, 29- (leap year), 30- and 31-day months are made automatically.

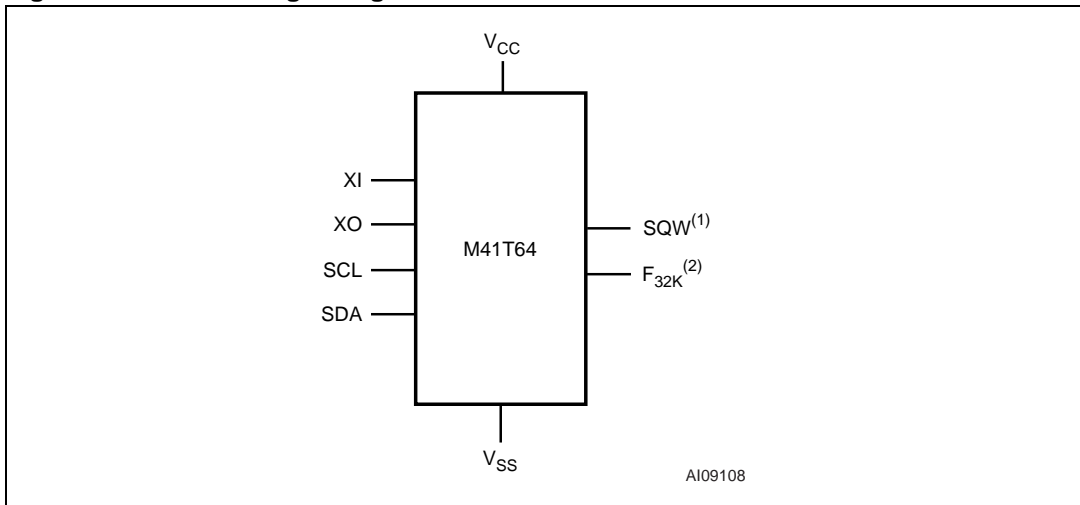
The M41T6x is supplied in a 16-pin QFN.

Figure 1. M41T62 logic diagram



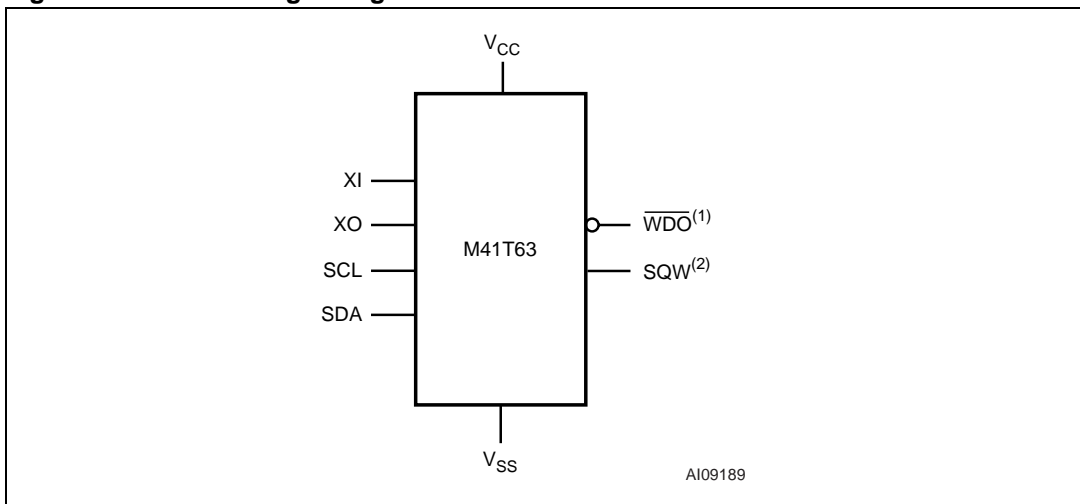
1. Open drain.
2. Defaults to 32KHz on power-up.

Figure 2. M41T64 logic diagram



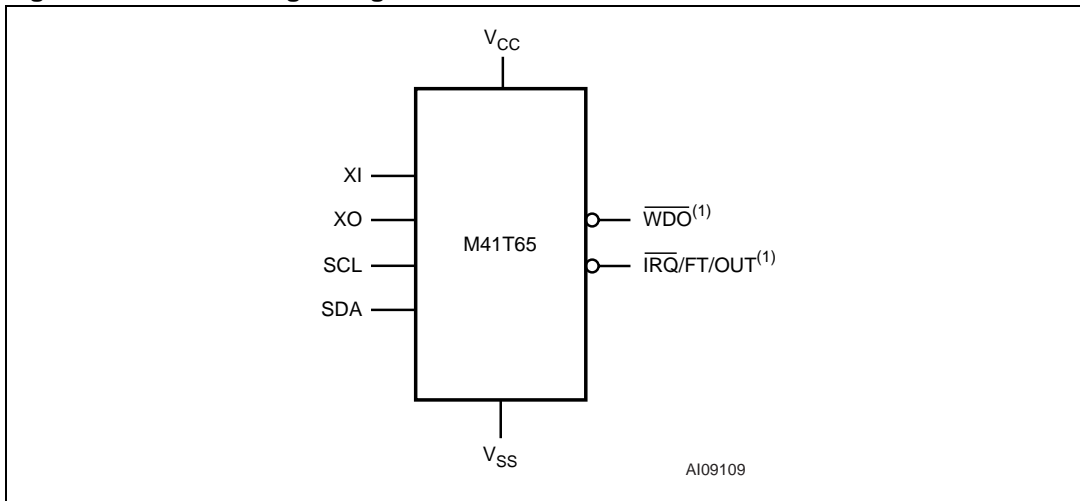
- 1. Open drain.
- 2. Defaults to 32KHz on power-up.

Figure 3. M41T63 logic diagram



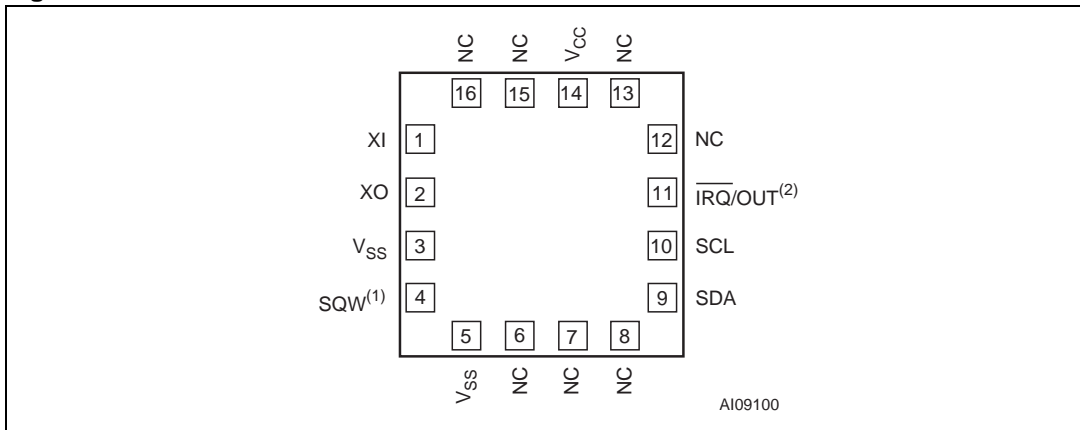
- 1. Open drain.
- 2. Defaults to 32KHz on power-up.

Figure 4. M41T65 logic diagram



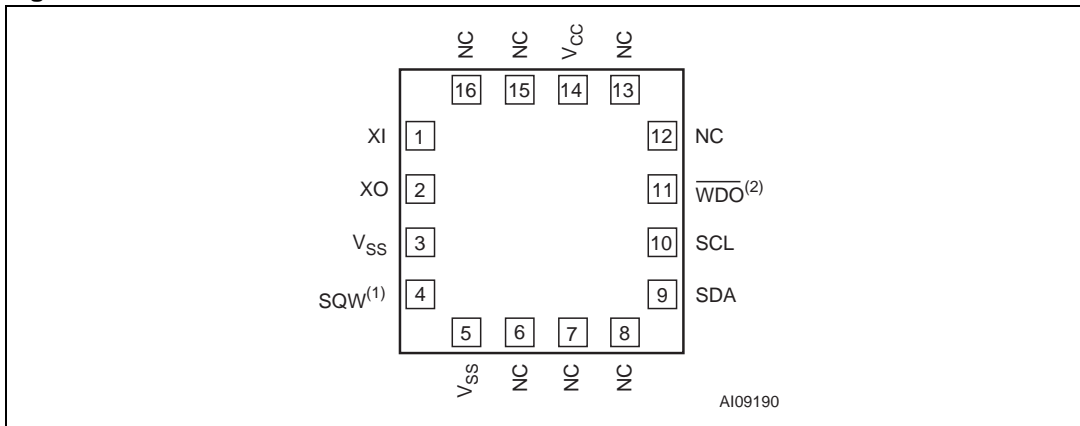
- 1. Open drain.

Figure 5. M41T62 connections



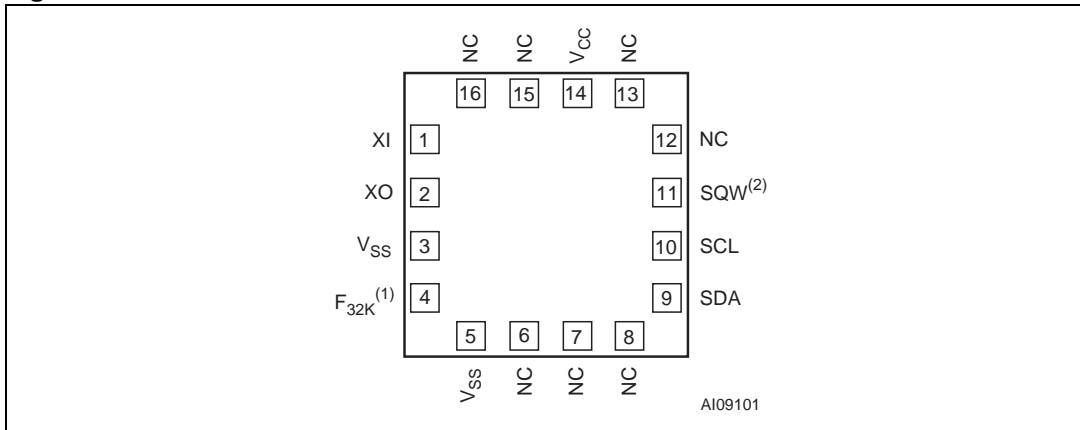
- 1. SQW output defaults to 32KHz upon power-up.
- 2. Open drain.

Figure 6. M41T63 connections



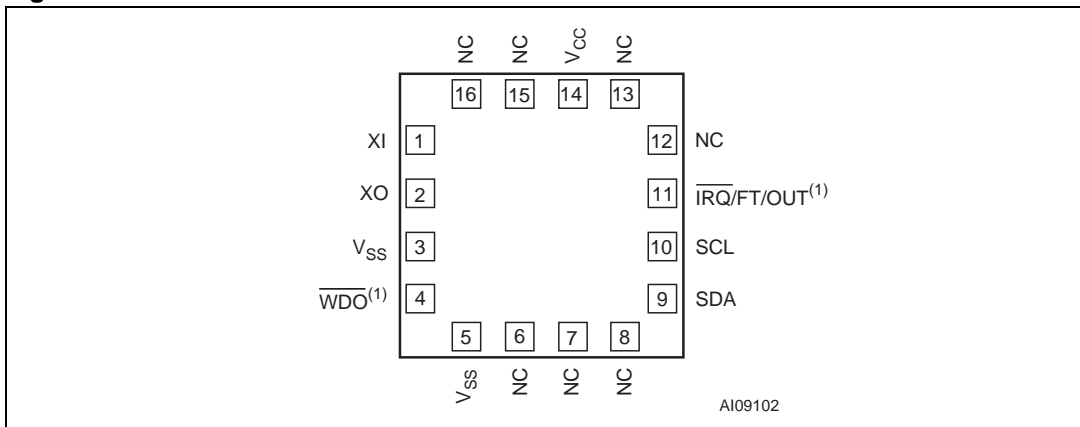
1. SQW output defaults to 32KHz upon power-up.
2. Open drain.

Figure 7. M41T64 connections



1. Enabled on power-up.
2. Open drain.

Figure 8. M41T65 connections

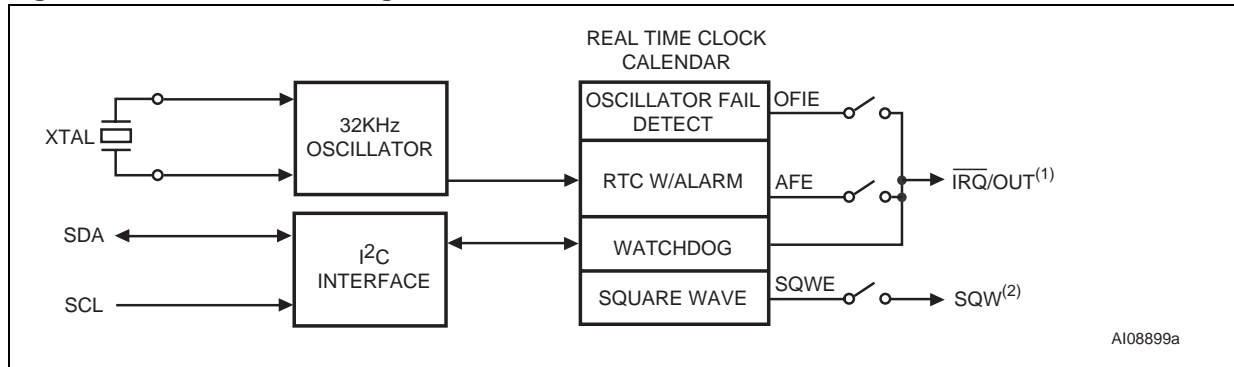


1. Open drain.

Table 2. Signal names

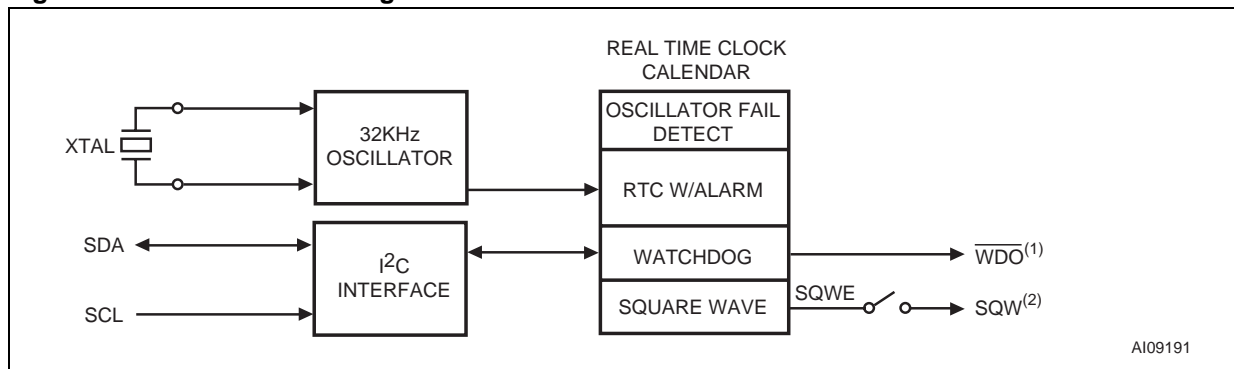
XI	Oscillator input
XO	Oscillator output
SDA	Serial data input/output
SCL	Serial clock input
$\overline{\text{IRQ}}/\text{OUT}$	Interrupt or OUT output (open drain)
$\overline{\text{IRQ}}/\text{FT}/\text{OUT}$	Interrupt, frequency test, or OUT output (open drain)
SQW	Programmable square wave - defaults to 32KHz on power-up (open drain for M41T64 only)
F _{32K}	Dedicated 32KHz output (M41T64 only)
WDO	Watchdog timer output (open drain)
V _{CC}	Supply voltage
V _{SS}	Ground

Figure 9. M41T62 block diagram



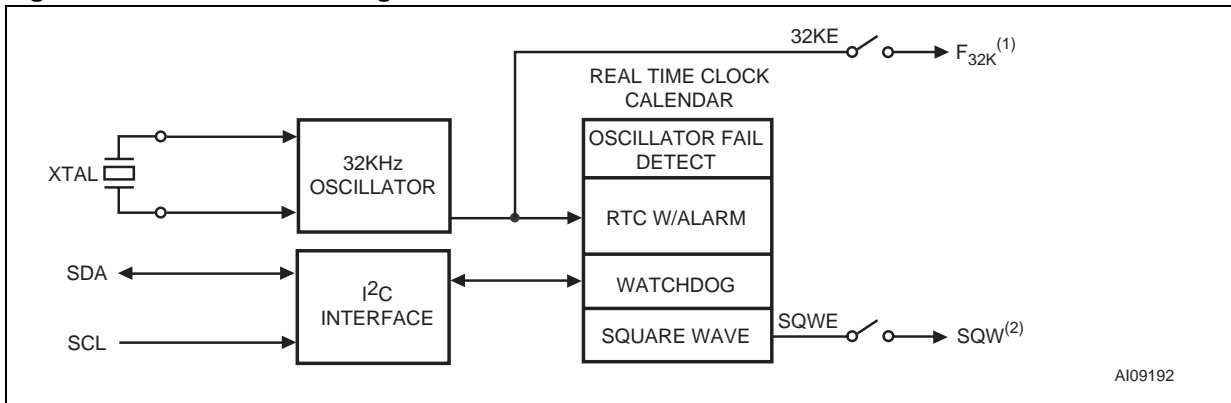
1. Open drain.
2. Defaults to 32KHz on power-up.

Figure 10. M41T63 block diagram



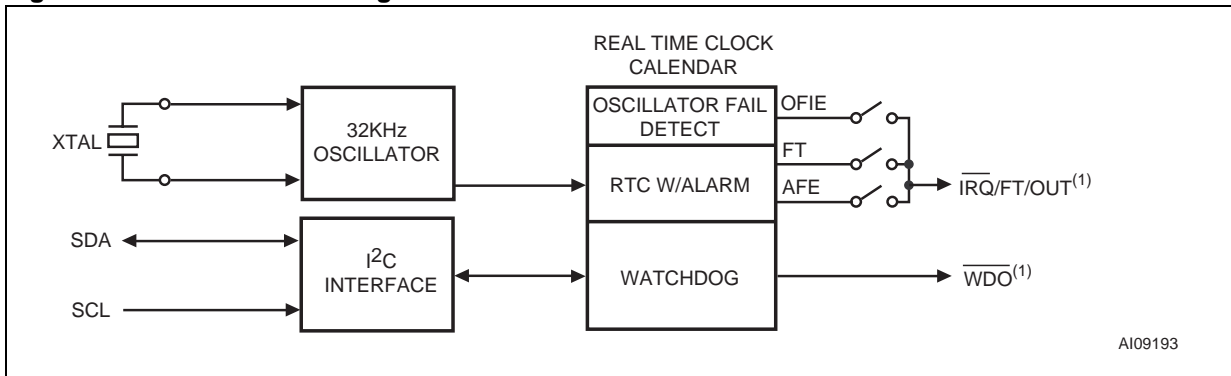
1. Open drain.
2. Defaults to 32KHz on power-up.

Figure 11. M41T64 block diagram



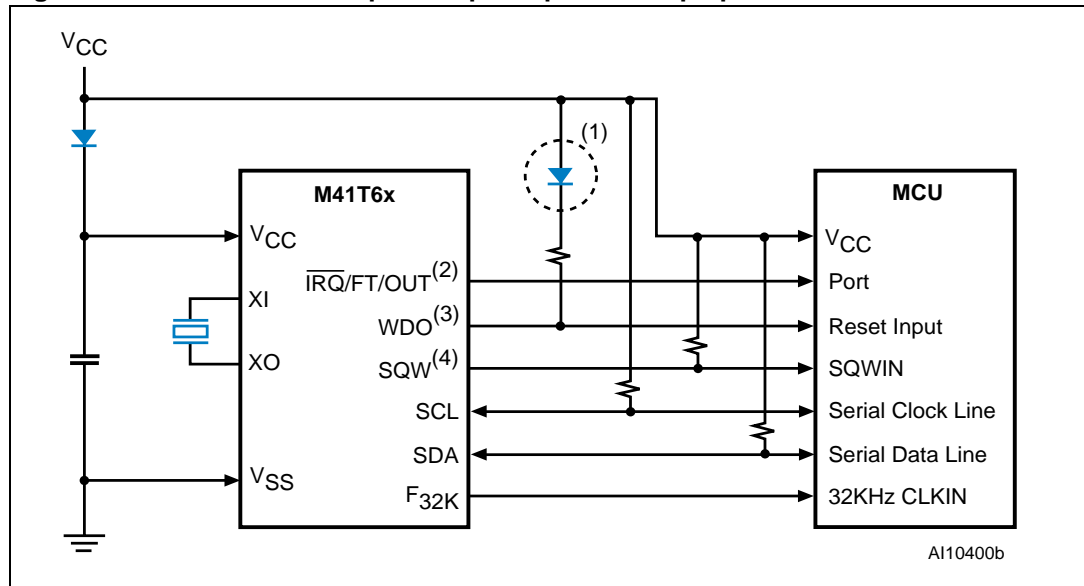
1. Defaults enabled on power-up.
2. Open drain.

Figure 12. M41T65 block diagram



1. Open drain.

Figure 13. Hardware hookup for SuperCap™ back-up operation



1. Diode required on open drain pin (M41T65 only) for SuperCap (or battery) back-up. Low threshold BAT42 diode recommended.
2. For M41T62 and M41T65 (open drain).
3. For M41T63 and M41T65 (open drain).
4. For M41T64 (open drain).

2 Operation

The M41T6x clock operates as a slave device on the serial bus. Access is obtained by implementing a start condition followed by the correct slave address (D0h). The 16 Bytes contained in the device can then be accessed sequentially in the following order:

- 1st Byte: tenths/hundredths of a second register
- 2nd Byte: seconds register
- 3rd Byte: minutes register
- 4th Byte: hours register
- 5th Byte: square wave/day register
- 6th Byte: date register
- 7th Byte: century/month register
- 8th Byte: year register
- 9th Byte: calibration register
- 10th Byte: watchdog register
- 11th - 15th Bytes: alarm registers
- 16th Byte: flags register

2.1 2-wire bus characteristics

The bus is intended for communication between different ICs. It consists of two lines: a bi-directional data signal (SDA) and a clock signal (SCL). Both the SDA and SCL lines must be connected to a positive supply voltage via a pull-up resistor.

The following protocol has been defined:

- Data transfer may be initiated only when the bus is not busy.
- During data transfer, the data line must remain stable whenever the clock line is High.
- Changes in the data line, while the clock line is High, will be interpreted as control signals.

Accordingly, the following bus conditions have been defined:

2.1.1 Bus not busy

Both data and clock lines remain High.

2.1.2 Start data transfer

A change in the state of the data line, from high to Low, while the clock is High, defines the START condition.

2.1.3 Stop data transfer

A change in the state of the data line, from Low to High, while the clock is High, defines the STOP condition.

2.1.4 Data valid

The state of the data line represents valid data when after a start condition, the data line is stable for the duration of the high period of the clock signal. The data on the line may be changed during the Low period of the clock signal. There is one clock pulse per bit of data.

Each data transfer is initiated with a start condition and terminated with a stop condition. The number of data bytes transferred between the start and stop conditions is not limited. The information is transmitted byte-wide and each receiver acknowledges with a ninth bit.

By definition a device that gives out a message is called “transmitter,” the receiving device that gets the message is called “receiver.” The device that controls the message is called “master.” The devices that are controlled by the master are called “slaves.”

2.1.5 Acknowledge

Each byte of eight bits is followed by one Acknowledge Bit. This Acknowledge Bit is a low level put on the bus by the receiver whereas the master generates an extra acknowledge related clock pulse. A slave receiver which is addressed is obliged to generate an acknowledge after the reception of each byte that has been clocked out of the slave transmitter.

The device that acknowledges has to pull down the SDA line during the acknowledge clock pulse in such a way that the SDA line is a stable Low during the High period of the acknowledge related clock pulse. Of course, setup and hold times must be taken into account. A master receiver must signal an end of data to the slave transmitter by not generating an acknowledge on the last byte that has been clocked out of the slave. In this case the transmitter must leave the data line High to enable the master to generate the STOP condition.

Figure 14. Serial bus data transfer sequence

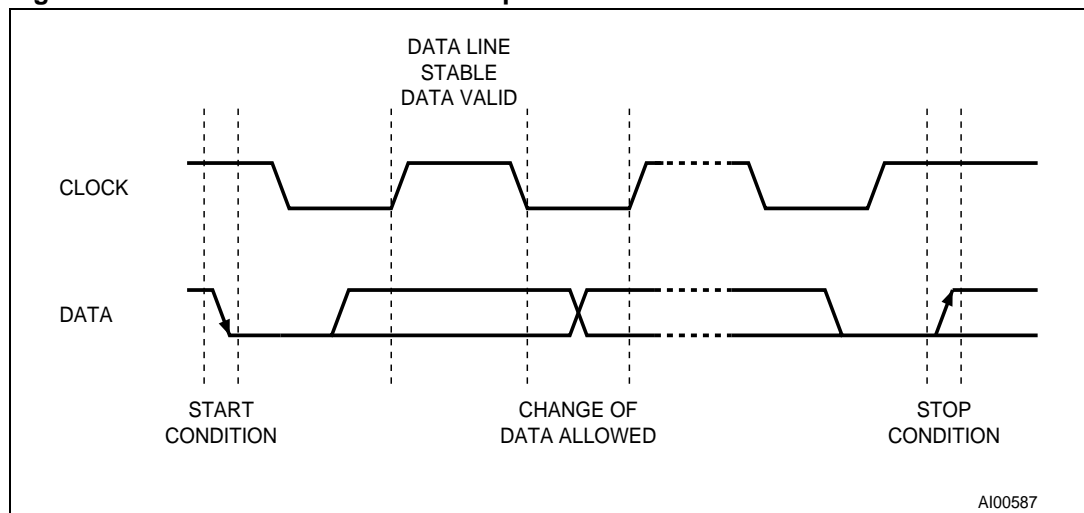
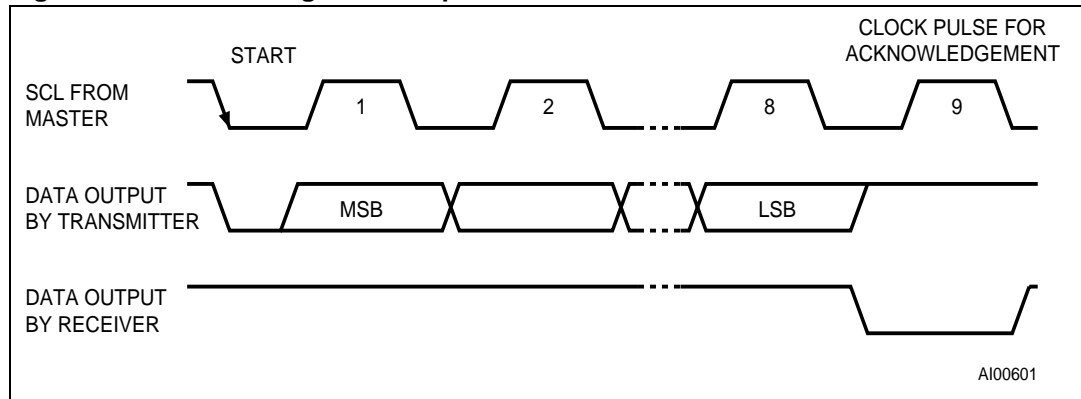


Figure 15. Acknowledgement sequence



2.2 READ mode

In this mode the master reads the M41T6x slave after setting the slave address (see [Figure 17 on page 15](#)). Following the WRITE Mode Control Bit ($R/\bar{W}=0$) and the Acknowledge Bit, the word address 'An' is written to the on-chip address pointer. Next the START condition and slave address are repeated followed by the READ Mode Control Bit ($R/\bar{W}=1$). At this point the master transmitter becomes the master receiver. The data byte which was addressed will be transmitted and the master receiver will send an Acknowledge Bit to the slave transmitter. The address pointer is only incremented on reception of an Acknowledge Clock. The M41T6x slave transmitter will now place the data byte at address An+1 on the bus, the master receiver reads and acknowledges the new byte and the address pointer is incremented to "An+2."

This cycle of reading consecutive addresses will continue until the master receiver sends a STOP condition to the slave transmitter.

The system-to-user transfer of clock data will be halted whenever the address being read is a clock address (00h to 07h). The update will resume due to a Stop Condition or when the pointer increments to any non-clock address (08h-0Fh).

Note: This is true both in READ Mode and WRITE Mode.

An alternate READ Mode may also be implemented whereby the master reads the M41T6x slave without first writing to the (volatile) address pointer. The first address that is read is the last one stored in the pointer (see [Figure 18 on page 15](#)).

Figure 16. Slave address location

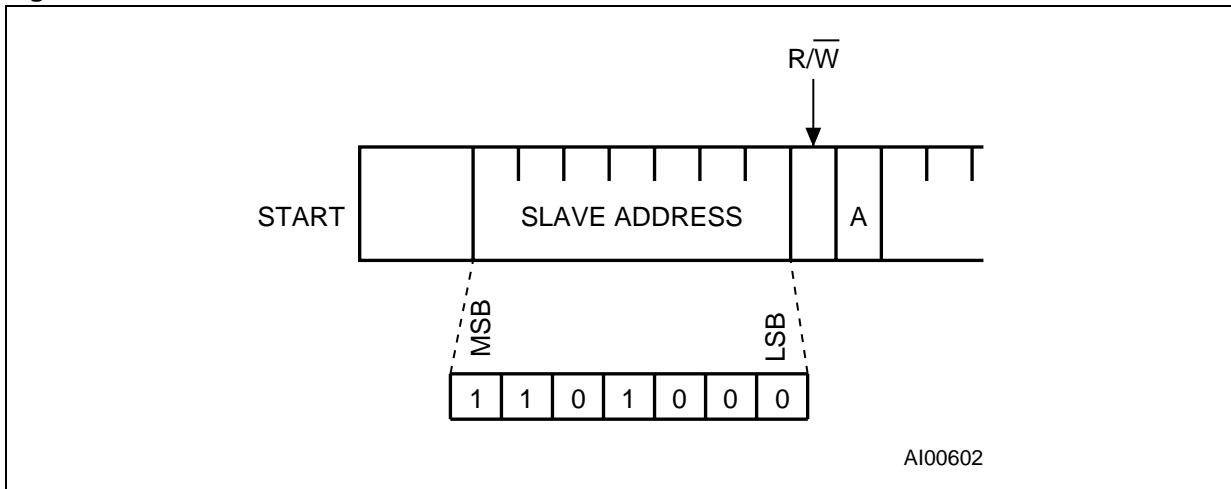


Figure 17. READ mode sequence

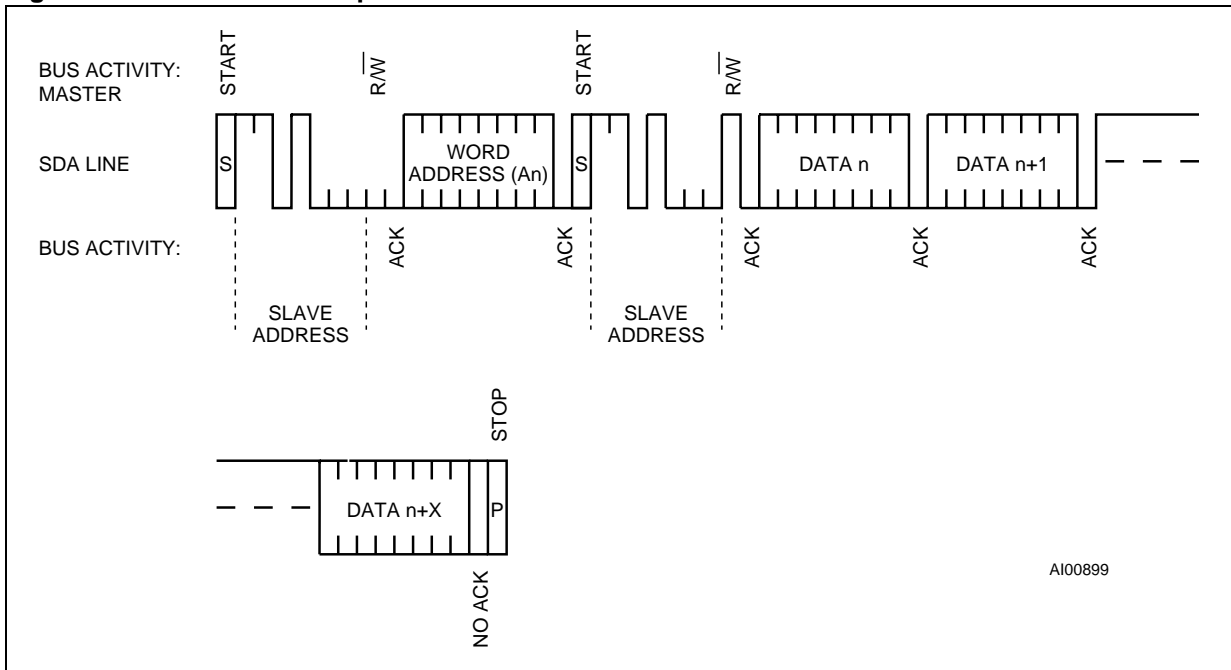
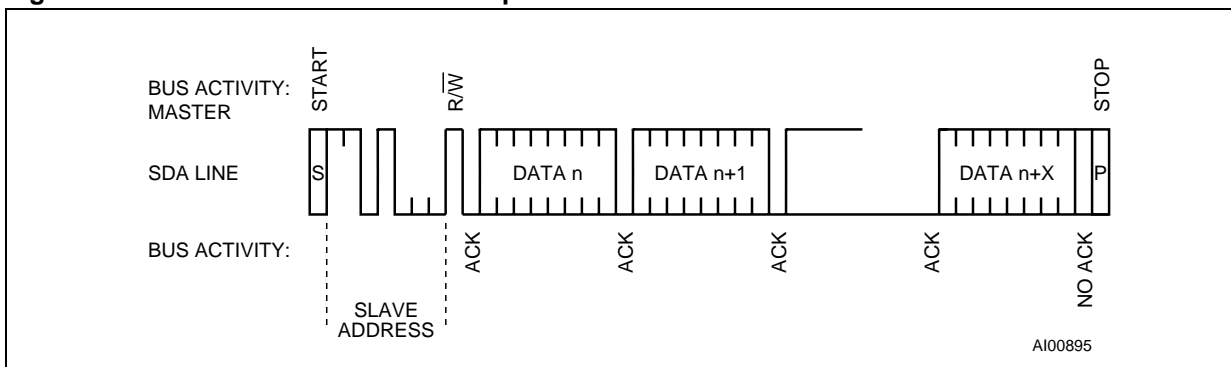


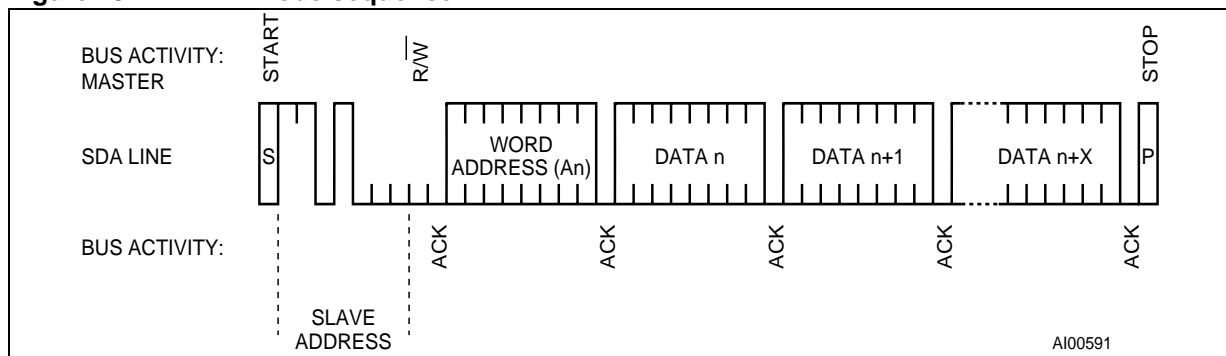
Figure 18. Alternative READ mode sequence



2.3 WRITE mode

In this mode the master transmitter transmits to the M41T6x slave receiver. Bus protocol is shown in [Figure 19 on page 16](#). Following the START condition and slave address, a logic '0' ($R/\overline{W}=0$) is placed on the bus and indicates to the addressed device that word address "An" will follow and is to be written to the on-chip address pointer. The data word to be written to the memory is strobed in next and the internal address pointer is incremented to the next address location on the reception of an acknowledge clock. The M41T6x slave receiver will send an acknowledge clock to the master transmitter after it has received the slave address see [Figure 16 on page 15](#) and again after it has received the word address and each data byte.

Figure 19. WRITE mode sequence



3 Clock operation

The M41T6x is driven by a quartz-controlled oscillator with a nominal frequency of 32.768kHz. The accuracy of the Real-Time Clock depends on the frequency of the quartz crystal that is used as the time-base for the RTC.

The eight byte clock register (see [Table 3: M41T62 register map](#), [Table 4: M41T63 register map](#), [Table 5: M41T64 register map](#), and [Table 6: M41T65 register map](#)) is used to both set the clock and to read the date and time from the clock, in a binary coded decimal format. Tenths/Hundredths of Seconds, Seconds, Minutes, and Hours are contained within the first four registers.

A WRITE to any clock register will result in the Tenths/Hundredths of Seconds being reset to "00," and Tenths/Hundredths of Seconds cannot be written to any value other than "00."

Bits D0 through D2 of Register 04h contain the Day (day of week). Registers 05h, 06h, and 07h contain the Date (day of month), Month, and Years. The ninth clock register is the Calibration Register (this is described in the Clock Calibration section). Bit D7 of Register 01h contains the STOP Bit (ST). Setting this bit to a '1' will cause the oscillator to stop. When reset to a '0' the oscillator restarts within one second (typical).

Upon initial power-up, the user should set the ST Bit to a '1,' then immediately reset the ST Bit to '0.' This provides an additional "kick-start" to the oscillator circuit.

Bit D7 of Register 02h (Minute Register) contains the Oscillator Fail Interrupt Enable Bit (OFIE). When the user sets this bit to '1,' any condition which sets the Oscillator Fail Bit (OF) (see [Oscillator stop detection on page 28](#)) will also generate an interrupt output.

Bits D6 and D7 of Clock Register 06h (Century/Month Register) contain the CENTURY Bit 0 (CB0) and CENTURY Bit 1 (CB1).

A WRITE to ANY location within the first eight bytes of the clock register (00h-07h), including the OFIE Bit, RS0-RS3 Bit, and CB0-CB1 Bits will result in an update of the system clock and a reset of the divider chain. This could result in an inadvertent change of the current time. These non-clock related bits should be written prior to setting the clock, and remain unchanged until such time as a new clock time is also written.

The eight Clock Registers may be read one byte at a time, or in a sequential block. Provision has been made to assure that a clock update does not occur while any of the eight clock addresses are being read. If a clock address is being read, an update of the clock registers will be halted. This will prevent a transition of data during the READ.

3.1 TIMEKEEPER[®] registers

The M41T6x offers 16 internal registers which contain Clock, Calibration, Alarm, Watchdog, Flags, and Square Wave. The Clock registers are memory locations which contain external (user accessible) and internal copies of the data (usually referred to as BiPORT[™] TIMEKEEPER cells). The external copies are independent of internal functions except that they are updated periodically by the simultaneous transfer of the incremented internal copy. The internal divider (or clock) chain will be reset upon the completion of a WRITE to any clock address (00h to 07h).

The system-to-user transfer of clock data will be halted whenever the address being read is a clock address (00h to 07h). The update will resume either due to a Stop Condition or when the pointer increments to a non-clock address.

TIMEKEEPER and Alarm Registers store data in BCD format. Calibration, Watchdog, and Square Wave Bits are written in a Binary Format.

Table 3. M41T62 register map⁽¹⁾

Addr									Function/range BCD format	
	D7	D6	D5	D4	D3	D2	D1	D0		
00h	0.1 seconds				0.01 seconds				10ths/100ths of seconds	00-99
01h	ST	10 seconds			Seconds				Seconds	00-59
02h	OFIE	10 minutes			Minutes				Minutes	00-59
03h	0	0	10 hours		Hours (24 hour format)				Hours	00-23
04h	RS3	RS2	RS1	RS0	0	Day of week			Day	01-7
05h	0	0	10 date		Date: day of month				Date	01-31
06h	CB1	CB0	0	10M	Month				Century/month	0-3/01-12
07h	10 years				Year				Year	00-99
08h	OUT	0	S	Calibration				Calibration		
09h	RB2	BMB4	BMB3	BMB2	BMB1	BMB0	RB1	RB0	Watchdog	
0Ah	AFE	SQWE	0	AI 10M	Alarm month				AI month	01-12
0Bh	RPT4	RPT5	AI 10 date		Alarm date				AI date	01-31
0Ch	RPT3	0	AI 10 hour		Alarm hour				AI hour	00-23
0Dh	RPT2	Alarm 10 minutes			Alarm minutes				AI min	00-59
0Eh	RPT1	Alarm 10 seconds			Alarm seconds				AI sec	00-59
0Fh	WDF	AF	0	0	0	OF	0	0	Flags	

1. Keys:
0 = must be set to '0'
AF = alarm flag (read only)
AFE = alarm flag enable flag
BMB0 - BMB4 = watchdog multiplier bits
CB0-CB1 = century bits
OF = oscillator fail bit
OFIE = oscillator fail interrupt enable bit
OUT = output level
RB0 - RB2 = watchdog resolution bits
RPT1-RPT5 = alarm repeat mode bits
RS0-RS3 = SQW frequency bits
S = sign bit
SQWE = square wave enable bit
ST = stop bit
WDF = watchdog flag bit (read only)

Table 4. M41T63 register map⁽¹⁾

Addr									Function/range BCD format	
	D7	D6	D5	D4	D3	D2	D1	D0		
00h	0.1 seconds				0.01 seconds				10ths/100ths of seconds	00-99
01h	ST	10 seconds			Seconds				Seconds	00-59
02h	0	10 minutes			Minutes				Minutes	00-59
03h	0	0	10 hours		Hours (24 hour format)				Hours	00-23
04h	RS3	RS2	RS1	RS0	0	Day of week			Day	01-7
05h	0	0	10 date		Date: day of month				Date	01-31
06h	CB1	CB0	0	10M	Month				Century/month	0-3/01-12
07h	10 Years				Year				Year	00-99
08h	0	0	S	Calibration					Calibration	
09h	RB2	BMB4	BMB3	BMB2	BMB1	BMB0	RB1	RB0	Watchdog	
0Ah	0	SQWE	0	AI 10M	Alarm month				AI Month	01-12
0Bh	RPT4	RPT5	AI 10 date		Alarm date				AI date	01-31
0Ch	RPT3	0	AI 10 hour		Alarm hour				AI hour	00-23
0Dh	RPT2	Alarm 10 minutes			Alarm minutes				AI min	00-59
0Eh	RPT1	Alarm 10 seconds			Alarm seconds				AI sec	00-59
0Fh	WDF	AF	0	0	0	OF	0	0	Flags	

- Keys:
 0 = must be set to '0'
 AF = alarm flag (read only)
 BMB0 - BMB4 = watchdog multiplier bits
 CB0-CB1 = century Bits
 OF = oscillator fail bit
 RB0 - RB2 = watchdog resolution bits
 RPT1-RPT5 = alarm repeat mode bits
 RS0-RS3 = SQW frequency bits
 S = sign bit
 SQWE = square wave enable bit
 ST = stop bit
 WDF = watchdog flag bit (read only)

Table 5. M41T64 register map⁽¹⁾

Addr									Function/range BCD format	
	D7	D6	D5	D4	D3	D2	D1	D0		
00h	0.1 seconds				0.01 seconds				10ths/100ths of seconds	00-99
01h	ST	10 seconds			Seconds				Seconds	00-59
02h	0	10 minutes			Minutes				Minutes	00-59
03h	0	0	10 hours		Hours (24 hour format)				Hours	00-23
04h	RS3	RS2	RS1	RS0	0	Day of week			Day	01-7
05h	0	0	10 Date		Date: day of month				Date	01-31
06h	CB1	CB0	0	10M	Month				Century/month	0-3/01-12
07h	10 years				Year				Year	00-99
08h	0	0	S	Calibration					Calibration	
09h	RB2	BMB4	BMB3	BMB2	BMB1	BMB0	RB1	RB0	Watchdog	
0Ah	0	SQWE	32KE	AI 10M	Alarm month				AI month	01-12
0Bh	RPT4	RPT5	AI 10 date		Alarm date				AI date	01-31
0Ch	RPT3	0	AI 10 hour		Alarm hour				AI hour	00-23
0Dh	RPT2	Alarm 10 minutes			Alarm minutes				AI min	00-59
0Eh	RPT1	Alarm 10 seconds			Alarm seconds				AI sec	00-59
0Fh	WDF	AF	0	0	0	OF	0	0	Flags	

1. Keys:
0 = must be set to '0'
32KE = 32KHz enable bit
AF = alarm flag (read only)
BMB0 - BMB4 = watchdog multiplier bits
CB0-CB1 = century bits
OF = oscillator fail bit
RB0 - RB2 = watchdog resolution bits
RPT1-RPT5 = alarm repeat mode bits
RS0-RS3 = SQW frequency bits
S = sign bit
SQWE = square wave enable bit
ST = stop bit
WDF = watchdog flag bit (read only)

Table 6. M41T65 register map⁽¹⁾

Addr									Function/range BCD format	
	D7	D6	D5	D4	D3	D2	D1	D0		
00h	0.1 seconds				0.01 seconds				10ths/100ths of seconds	00-99
01h	ST	10 seconds			Seconds				Seconds	00-59
02h	OFIE	10 minutes			Minutes				Minutes	00-59
03h	0	0	10 hours		Hours (24 hour format)				Hours	00-23
04h	0	0	0	0	0	Day of week			Day	01-7
05h	0	0	10 date		Date: day of month				Date	01-31
06h	CB1	CB0	0	10M	Month				Century/month	0-3/01-12
07h	10 Years				Year				Year	00-99
08h	OUT	FT	S	Calibration					Calibration	
09h	RB2	BMB4	BMB3	BMB2	BMB1	BMB0	RB1	RB0	Watchdog	
0Ah	AFE	0	0	AI 10M	Alarm month				AI month	01-12
0Bh	RPT4	RPT5	AI 10 date		Alarm date				AI date	01-31
0Ch	RPT3	0	AI 10 hour		Alarm hour				AI hour	00-23
0Dh	RPT2	Alarm 10 minutes			Alarm minutes				AI min	00-59
0Eh	RPT1	Alarm 10 seconds			Alarm seconds				AI sec	00-59
0Fh	WDF	AF	0	0	0	OF	0	0	Flags	

- Keys:
 0 = must be set to '0'
 AF = alarm flag (read only)
 AFE = alarm flag enable flag
 BMB0 - BMB4 = watchdog multiplier bits
 CB0-CB1 = century bits
 FT = frequency test bit
 OF = oscillator fail bit
 OFIE = oscillator fail interrupt enable bit
 OUT = output level
 RB0 - RB2 = watchdog resolution bits
 RPT1-RPT5 = alarm repeat mode bits
 S = sign bit
 ST = stop bit
 WDF = watchdog flag bit (read only)

3.2 Calibrating the clock

The M41T6x is driven by a quartz controlled oscillator with a nominal frequency of 32,768Hz. The accuracy of the Real-Time Clock depends on the frequency of the quartz crystal that is used as the time-base for the RTC. The accuracy of the clock is dependent upon the accuracy of the crystal, and the match between the capacitive load of the oscillator circuit and the capacitive load for which the crystal was trimmed. The M41T6x oscillator is designed for use with a 6pF crystal load capacitance. When the Calibration circuit is properly employed, accuracy improves to better than ± 2 ppm at 25°C.

The oscillation rate of crystals changes with temperature (see [Figure 20 on page 24](#)). Therefore, the M41T6x design employs periodic counter correction. The calibration circuit adds or subtracts counts from the oscillator divider circuit at the divide by 256 stage, as shown in [Figure 21 on page 24](#). The number of times pulses which are blanked (subtracted, negative calibration) or split (added, positive calibration) depends upon the value loaded into the five Calibration Bits found in the Calibration Register. Adding counts speeds the clock up, subtracting counts slows the clock down.

The Calibration Bits occupy the five lower order bits (D4-D0) in the Calibration Register (08h). These bits can be set to represent any value between 0 and 31 in binary form. Bit D5 is a Sign Bit; '1' indicates positive calibration, '0' indicates negative calibration. Calibration occurs within a 64 minute cycle. The first 62 minutes in the cycle may, once per minute, have one second either shortened by 128 or lengthened by 256 oscillator cycles. If a binary '1' is loaded into the register, only the first 2 minutes in the 64 minute cycle will be modified; if a binary 6 is loaded, the first 12 will be affected, and so on.

Therefore, each calibration step has the effect of adding 512 or subtracting 256 oscillator cycles for every 125,829,120 actual oscillator cycles, that is +4.068 or -2.034 PPM of adjustment per calibration step in the calibration register.

Assuming that the oscillator is running at exactly 32,768 Hz, each of the 31 increments in the Calibration byte would represent +10.7 or -5.35 seconds per day which corresponds to a total range of +5.5 or -2.75 minutes per month (see [Figure 21 on page 24](#)).

Two methods are available for ascertaining how much calibration a given M41T6x may require:

- The first involves setting the clock, letting it run for a month and comparing it to a known accurate reference and recording deviation over a fixed period of time. Calibration values, including the number of seconds lost or gained in a given period, can be found in Application Note AN934, "TIMEKEEPER[®] CALIBRATION." This allows the designer to give the end user the ability to calibrate the clock as the environment requires, even if the final product is packaged in a non-user serviceable enclosure. The designer could provide a simple utility that accesses the Calibration byte.
- The second approach is better suited to a manufacturing environment, and involves the use of either the SQW pin (M41T62/63/64) or the $\overline{\text{IRQ}}/\text{FT}/\text{OUT}$ pin (M41T65). The SQW pin will toggle at 512Hz when RS3 = '0,' RS2 = '1,' RS1 = '1,' RS0 = '0,' SQWE = '1,' and ST = '0.' Alternatively, for the M41T65, the $\overline{\text{IRQ}}/\text{FT}/\text{OUT}$ pin will toggle at 512Hz when FT and OUT Bits = '1' and ST = '0.'

Any deviation from 512Hz indicates the degree and direction of oscillator frequency shift at the test temperature. For example, a reading of 512.010124 Hz would indicate a +20 ppm oscillator frequency error, requiring a -10 (XX001010) to be loaded into the Calibration Byte for correction. Note that setting or changing the Calibration Byte does not affect the Frequency test or Square Wave output frequency.

Figure 20. Crystal accuracy across temperature

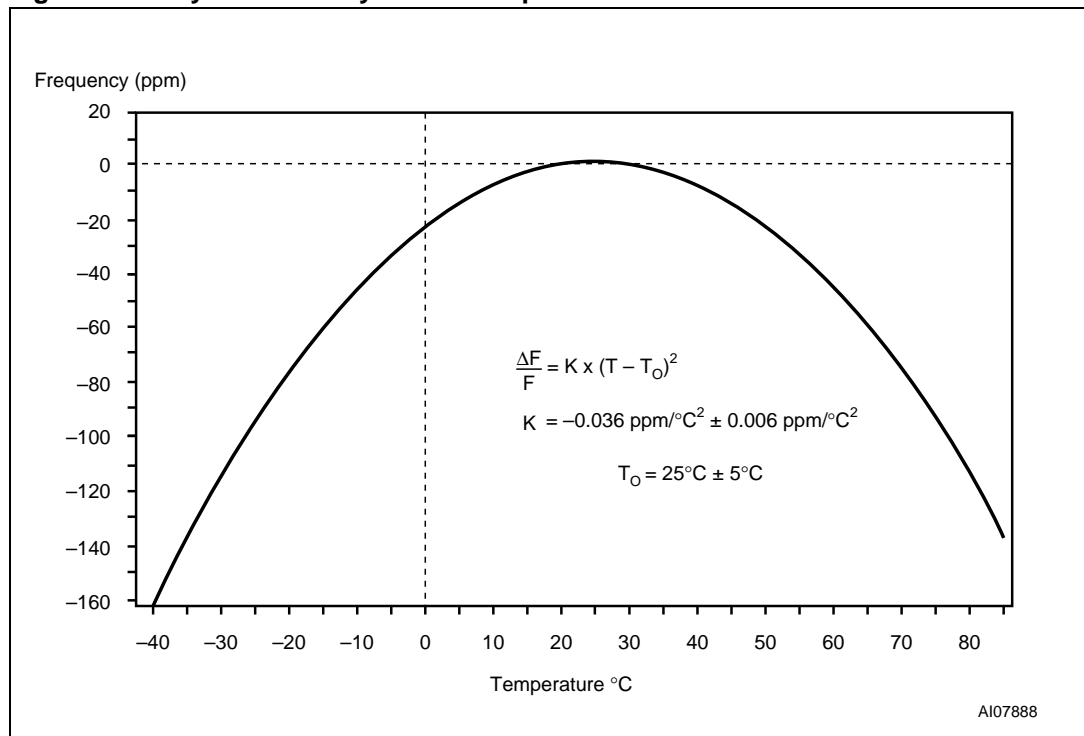
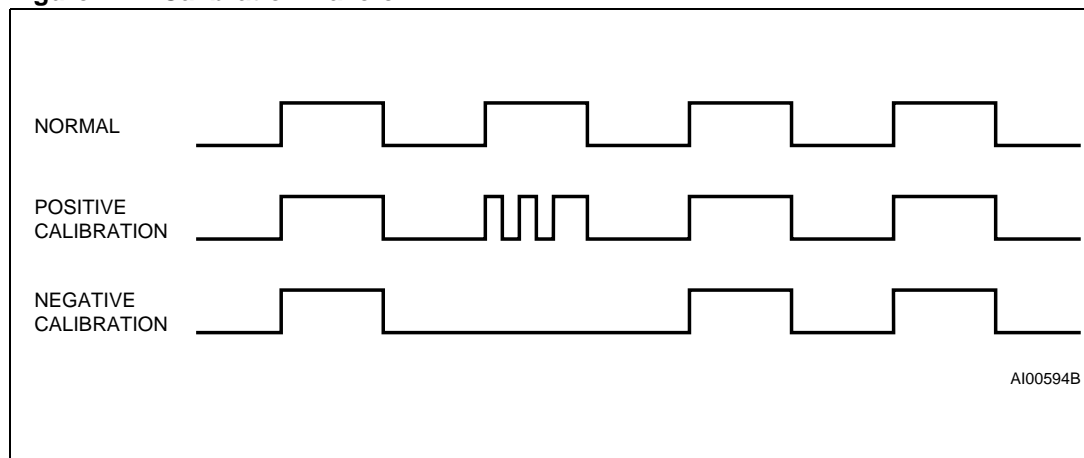


Figure 21. Calibration waveform



3.3 Setting alarm clock registers

Address locations 0Ah-0Eh contain the alarm settings. The alarm can be configured to go off at a prescribed time on a specific month, date, hour, minute, or second, or repeat every year, month, day, hour, minute, or second. Bits RPT5–RPT1 put the alarm in the repeat mode of operation. [Table 7 on page 25](#) shows the possible configurations. Codes not listed in the table default to the once per second mode to quickly alert the user of an incorrect alarm setting.

When the clock information matches the alarm clock settings based on the match criteria defined by RPT5–RPT1, the AF (Alarm Flag) is set. If AFE (Alarm Flag Enable) is also set (M41T62/65), the alarm condition activates the $\overline{\text{IRQ}}/\text{OUT}$ or $\overline{\text{IRQ}}/\text{FT}/\text{OUT}$ pin. To disable the alarm, write '0' to the Alarm Date Register and to RPT5–RPT1.

Note: If the address pointer is allowed to increment to the Flag Register address, an alarm condition will not cause the Interrupt/Flag to occur until the address pointer is moved to a different address. It should also be noted that if the last address written is the “Alarm Seconds,” the address pointer will increment to the Flag address, causing this situation to occur.

The $\overline{\text{IRQ}}$ output is cleared by a READ to the Flags Register as shown in [Figure 22 on page 25](#). A subsequent READ of the Flags Register is necessary to see that the value of the Alarm Flag has been reset to '0.'

Figure 22. Alarm interrupt reset waveform

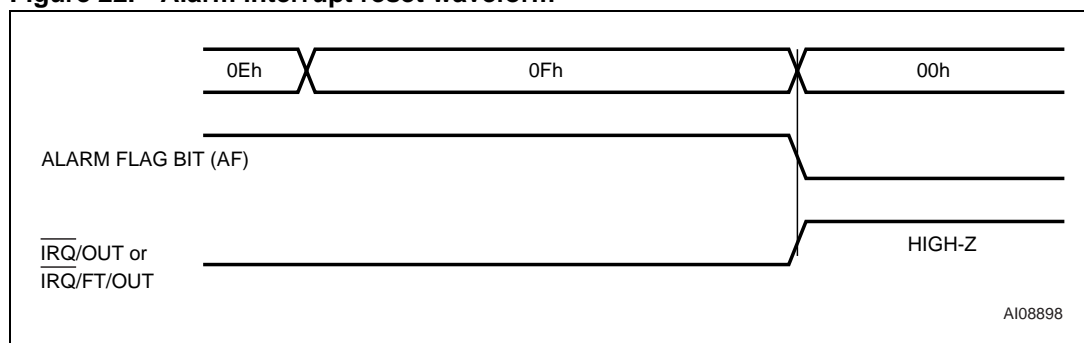


Table 7. Alarm repeat modes

RPT5	RPT4	RPT3	RPT2	RPT1	Alarm setting
1	1	1	1	1	Once per second
1	1	1	1	0	Once per minute
1	1	1	0	0	Once per hour
1	1	0	0	0	Once per day
1	0	0	0	0	Once per month
0	0	0	0	0	Once per year

3.4 Watchdog timer

The watchdog timer can be used to detect an out-of-control microprocessor. The user programs the watchdog timer by setting the desired amount of time-out into the Watchdog Register, address 09h.

Bits BMB4-BMB0 store a binary multiplier and the three bits RB2-RB0 select the resolution where:

000=1/16 second (16Hz);

001=1/4 second (4Hz);

010=1 second (1Hz);

011=4 seconds (1/4Hz); and

100 = 1 minute (1/60Hz).

Note: Invalid combinations (101, 110, and 111) will NOT enable a watchdog time-out. Setting the BMB4-BMB0 = 0 with any combination of RB2-RB0, other than 000, will result in an immediate watchdog time-out.

The amount of time-out is then determined to be the multiplication of the five-bit multiplier value with the resolution. (For example: writing 00001110 in the Watchdog Register = 3×1 or 3 seconds). If the processor does not reset the timer within the specified period, the M41T6x sets the WDF (Watchdog Flag) and generates an interrupt on the $\overline{\text{IRQ}}$ pin (M41T62), or a watchdog output pulse (M41T63 and M41T65 only) on the $\overline{\text{WDO}}$ pin. The watchdog timer can only be reset by having the microprocessor perform a WRITE of the Watchdog Register. The time-out period then starts over.

Should the watchdog timer time-out, any value may be written to the Watchdog Register in order to clear the $\overline{\text{IRQ}}$ pin. A value of 00h will disable the watchdog function until it is again programmed to a new value. A READ of the Flags Register will reset the Watchdog Flag (Bit D7; Register 0Fh). The watchdog function is automatically disabled upon power-up, and the Watchdog Register is cleared.

Note: A WRITE to any clock register will restart the watchdog timer.

3.5 Watchdog output ($\overline{\text{WDO}}$ - M41T63/65 only)

If the processor does not reset the watchdog timer within the specified period, the Watchdog Output ($\overline{\text{WDO}}$) will pulse low for t_{rec} (see [Table 17 on page 34](#)). This output may be connected to the Reset input of the processor in order to generate a processor reset. After a watchdog time-out occurs, the timer will remain disabled until such time as a new countdown value is written into the watchdog register.

Note: The crystal oscillator must be running for the $\overline{\text{WDO}}$ pulse to be available.

The $\overline{\text{WDO}}$ output is an N-channel, open drain output driver (with I_{OL} as specified in [Table 14 on page 32](#)).

3.6 Square wave output (M41T62/63/64)

The M41T62/63/64 offers the user a programmable square wave function which is output on the SQW pin. RS3-RS0 bits located in 04h establish the square wave output frequency. These frequencies are listed in [Table 8](#). Once the selection of the SQW frequency has been completed, the SQW pin can be turned on and off under software control with the Square Wave Enable Bit (SQWE) located in Register 0Ah.

The SQW output is an N-channel, open drain output driver for the M41T64, and a full CMOS output driver for the M41T62/63. The initial power-up default for the SQW output is 32KHz (except for M41T64, which defaults disabled).

Table 8. Square wave output frequency

Square wave bits				Square wave	
RS3	RS2	RS1	RS0	Frequency	Units
0	0	0	0	None	–
0	0	0	1	32.768	kHz
0	0	1	0	8.192	kHz
0	0	1	1	4.096	kHz
0	1	0	0	2.048	kHz
0	1	0	1	1.024	kHz
0	1	1	0	512	Hz
0	1	1	1	256	Hz
1	0	0	0	128	Hz
1	0	0	1	64	Hz
1	0	1	0	32	Hz
1	0	1	1	16	Hz
1	1	0	0	8	Hz
1	1	0	1	4	Hz
1	1	1	0	2	Hz
1	1	1	1	1	Hz

3.7 Full-time 32KHz square wave output (M41T64)

The M41T64 offers the user a special 32KHz square wave function which is enabled on power-up to output on the F_{32K} pin as long as V_{CC} ≥ 1.3V, and the oscillator is running (ST Bit = '0'). This function is available within one second (typ) of initial power-up and can only be disabled by setting the 32KE Bit to '0' or the ST Bit to '1.' If not used, the F_{32K} pin should be disconnected and allowed to float.

3.8 Century bits

These two bits will increment in a binary fashion at the turn of the century, and handle all leap years correctly. See [Table 10 on page 29](#) for additional explanation.

3.9 Output driver pin (M41T62/65)

When the OFIE Bit, AFE Bit, and watchdog register are not set to generate an interrupt, the $\overline{\text{IRQ}}/\text{OUT}$ pin becomes an output driver that reflects the contents of D7 of the Calibration Register. In other words, when D7 (OUT Bit) is a '0,' then the $\overline{\text{IRQ}}/\text{OUT}$ pin will be driven low.

Note: The $\overline{\text{IRQ}}/\text{OUT}$ pin is an open drain which requires an external pull-up resistor.

3.10 Oscillator stop detection

If the Oscillator Fail (OF) Bit is internally set to a '1,' this indicates that the oscillator has either stopped, or was stopped for some period of time and can be used to judge the validity of the clock and date data. This bit will be set to '1' any time the oscillator stops.

In the event the OF Bit is found to be set to '1' at any time other than the initial power-up, the STOP Bit (ST) should be written to a '1,' then immediately reset to '0.' This will restart the oscillator.

The following conditions can cause the OF Bit to be set:

- The first time power is applied (defaults to a '1' on power-up).

Note: If the OF Bit cannot be written to '1' four (4) seconds after the initial power-up, the STOP Bit (ST) should be written to a '1,' then immediately reset to '0.'

- The voltage present on V_{CC} or battery is insufficient to support oscillation.
- The ST Bit is set to '1.'
- External interference of the crystal

If the Oscillator Fail Interrupt Enable Bit (OFIE) is set to a '1,' the $\overline{\text{IRQ}}$ pin will also be activated. The $\overline{\text{IRQ}}$ output is cleared by resetting the OFIE or OF Bit to '0' (NOT by reading the Flag Register).

The OF Bit will remain set to '1' until written to logic '0.' The oscillator must start and have run for at least 4 seconds before attempting to reset the OF Bit to '0.' If the trigger event occurs during a power-down condition, this bit will be set correctly.

3.11 Initial power-on defaults

Upon application of power to the device, the register bits will initially power-on in the state indicated in [Table 9](#).

Table 9. Initial power-on default values

Condition	Device	ST	OF	OFIE	OUT	FT	AFE	SQWE	32KE	RS3-1	RS0	Watchdog
Initial power-up ⁽¹⁾	M41T62	0	1	0	1	N/A	0	1	N/A	0	1	0
	M41T63	0	1	N/A	N/A	N/A	N/A	1	N/A	0	1	0
	M41T64	0	1	N/A	N/A	N/A	N/A	0	1	0	1	0
	M41T65	0	1	0	1	0	0	N/A	N/A	N/A	N/A	0

1. All other control bits power-up in an undetermined state.

Table 10. Century bits examples

CB0	CB1	Leap year?	Example ⁽¹⁾
0	0	Yes	2000
0	1	No	2100
1	0	No	2200
1	1	No	2300

1. Leap year occurs every four years (for years evenly divisible by four), except for years evenly divisible by 100. The only exceptions are those years evenly divisible by 400 (the year 2000 was a leap year, year 2100 is not).

4 Maximum rating

Stressing the device above the rating listed in the “Absolute Maximum Ratings” table may cause permanent damage to the device. These are stress ratings only and operation of the device at these or any other conditions above those indicated in the Operating sections of this specification is not implied. Exposure to Absolute Maximum Rating conditions for extended periods may affect device reliability. Refer also to the STMicroelectronics SURE Program and other relevant quality documents.

Table 11. Absolute maximum ratings

Sym	Parameter	Conditions ⁽¹⁾	Value ⁽²⁾	Unit
T _{STG}	Storage temperature (V _{CC} off, oscillator off)		–55 to 125	°C
V _{CC}	Supply voltage		–0.3 to 5.0	V
T _{SLD} ⁽³⁾	Lead solder temperature for 10 seconds		260	°C
V _{IO}	Input or output voltages		–0.2 to V _{CC} +0.3	V
I _O	Output current		20	mA
P _D	Power dissipation		1	W
V _{ESD(HBM)}	Electro-static discharge voltage (human body model)	T _A = 25°C	>1500	V
V _{ESD(RCDM)}	Electro-static discharge voltage (robotic charged device model)	T _A = 25°C	>1000	V

1. Test conforms to JEDEC standard.
2. Data based on characterization results, not tested in production.
3. Reflow at peak temperature of 260°C (total thermal budget not to exceed 245°C for greater than 30 seconds).

5 DC and AC parameters

This section summarizes the operating and measurement conditions, as well as the DC and AC characteristics of the device. The parameters in the following DC and AC Characteristic tables are derived from tests performed under the Measurement Conditions listed in the relevant tables. Designers should check that the operating conditions in their projects match the measurement conditions when using the quoted parameters.

Table 12. Operating and AC measurement conditions⁽¹⁾

Parameter	M41T6x
Supply voltage (V_{CC})	1.3V to 4.4V
Ambient operating temperature (T_A)	-40 to 85°C
Load capacitance (C_L)	50pF
Input rise and fall times	≤ 5 ns
Input pulse voltages	$0.2V_{CC}$ to $0.8V_{CC}$
Input and output timing ref. voltages	$0.3V_{CC}$ to $0.7V_{CC}$

1. Output Hi-Z is defined as the point where data is no longer driven.

Figure 23. AC measurement I/O waveform

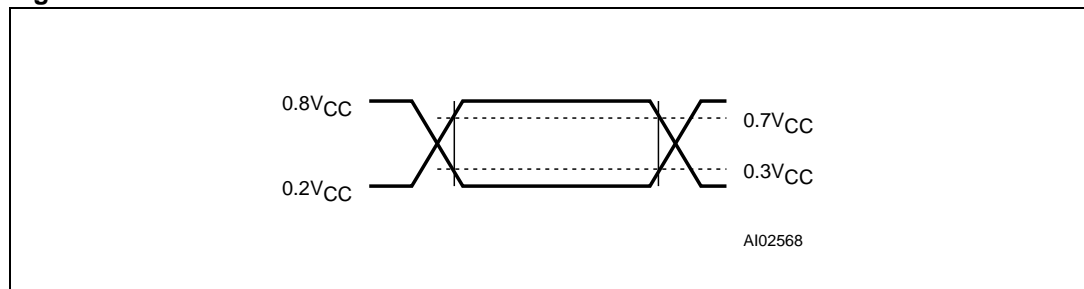
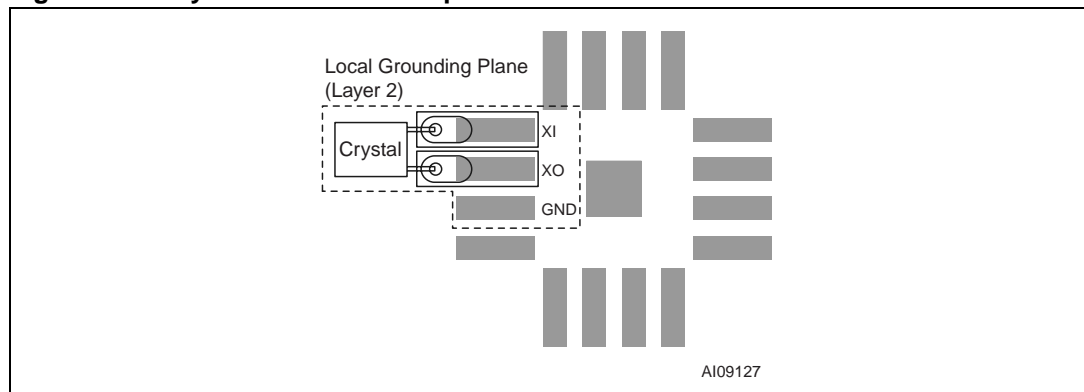


Figure 24. Crystal isolation example



1. Substrate pad should be tied to V_{SS} .

Table 13. Capacitance

Symbol	Parameter ⁽¹⁾⁽²⁾	Min	Max	Unit
C _{IN}	Input capacitance		7	pF
C _{OUT} ⁽³⁾	Output capacitance		10	pF
t _{LP}	Low-pass filter input time constant (SDA and SCL)		50	ns

1. Effective capacitance measured with power supply at 3.6V; sampled only, not 100% tested.
2. At 25°C, f = 1MHz.
3. Outputs deselected.

Table 14. DC characteristics

Sym	Parameter	Test condition ⁽¹⁾		Min	Typ	Max	Unit
V _{CC} ⁽²⁾	Operating voltage	Clock ⁽³⁾		1.0		4.4	V
		I ² C bus (400kHz)		1.3		4.4	V
I _{CC1}	Supply current	SCL = 400kHz (no load)		4.4V		100	μA
				3.6V	50	70	μA
				3.0V	35		μA
				2.5V	30		μA
				2.0V	20		μA
I _{CC2}	Supply current (standby)	SCL = 0Hz all inputs ≥ V _{CC} - 0.2V ≤ V _{SS} + 0.2V	SQW off	4.4V		950	nA
				3.6V	375	700	nA
				3.0V @ 25°C	350		nA
				2.0V @ 25°C	310		nA
V _{IL}	Input low voltage			-0.2		0.3V _{CC}	V
V _{IH}	Input high voltage			0.7V _{CC}		V _{CC} +0.3	V
V _{OL}	Output low voltage	V _{CC} = 4.4V, I _{OL} = 3.0mA (CMOS or open drain)				0.4	V
		V _{CC} = 4.4V, I _{OL} = 1.0mA (SQW, \overline{WDO} , \overline{IRQ})				0.4	V
V _{OH}	Output high voltage	V _{CC} = 4.4V, I _{OH} = -1.0mA (push-pull)		2.4			V
	Pull-up supply voltage (open drain)	\overline{IRQ}/OUT , $\overline{IRQ}/FT/OUT$, \overline{WDO} , SQW (M41T64 only)				4.4	V
I _{LI}	Input leakage current	0V ≤ V _{IN} ≤ V _{CC}				±1	μA
I _{LO}	Output leakage current	0V ≤ V _{OUT} ≤ V _{CC}				±1	μA

1. Valid for Ambient Operating Temperature: T_A = -40 to 85°C; V_{CC} = 1.3V to 4.4V (except where noted).
2. Oscillator start-up guaranteed at 1.5V only.
3. When using battery back-up, V_{CC} fall time should not exceed 10mV/μs.

Table 15. Crystal electrical characteristics

Sym	Parameter ⁽¹⁾⁽²⁾	Min	Typ	Max	Units
f _O	Resonant frequency		32.768		kHz
R _S	Series resistance (T _A = -40 to 70°C, oscillator start-up at 2.0V)			75 ⁽³⁾⁽⁴⁾	kΩ
C _L	Load capacitance		6		pF

1. Externally supplied if using the QFN16 package. STMicroelectronics recommends the Citizen CFS-145 (1.5x5mm) and the KDS DT-38 (3x8mm) for thru-hole, or the KDS DMX-26S (3.2x8mm) for surface-mount, tuning fork-type quartz crystals.

KDS can be contacted at kouhou@kdsj.co.jp or <http://www.kdsj.co.jp>.

Citizen can be contacted at csd@citizen-america.com or <http://www.citizencrystal.com>.

- Load capacitors are integrated within the M41T6x. Circuit board layout considerations for the 32.768kHz crystal of minimum trace lengths and isolation from RF generating signals should be taken into account.
- Guaranteed by design.
- R_{S (max)} = 65kΩ for T_A = -40 to 85°C and oscillator start-up at 1.5V.

Table 16. Oscillator characteristics

Symbol	Parameter	Conditions	Min	Typ	Max	Unit
V _{STA}	Oscillator start voltage	≤10 seconds	1.5			V
t _{STA}	Oscillator start time	V _{CC} = 3.0V			1	s
C _g	XIN			12		pF
C _d	XOUT			12		pF
	IC-to-IC frequency variation ⁽¹⁾		-10		+10	ppm

1. Reference value. T_A = 25°C, V_{CC} = 3.0V, CMJ-145 (C_L = 6pF, 32,768Hz) manufactured by citizen.

Figure 25. Bus timing requirements sequence

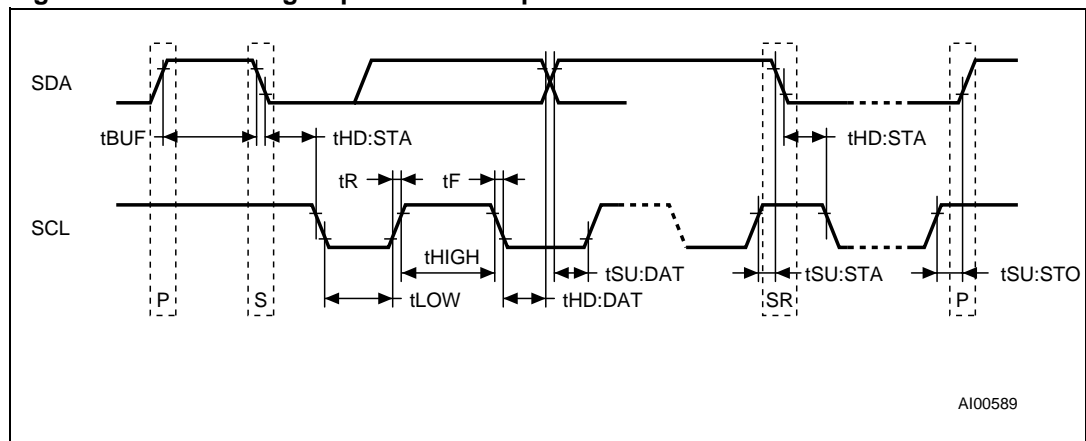


Table 17. AC characteristics

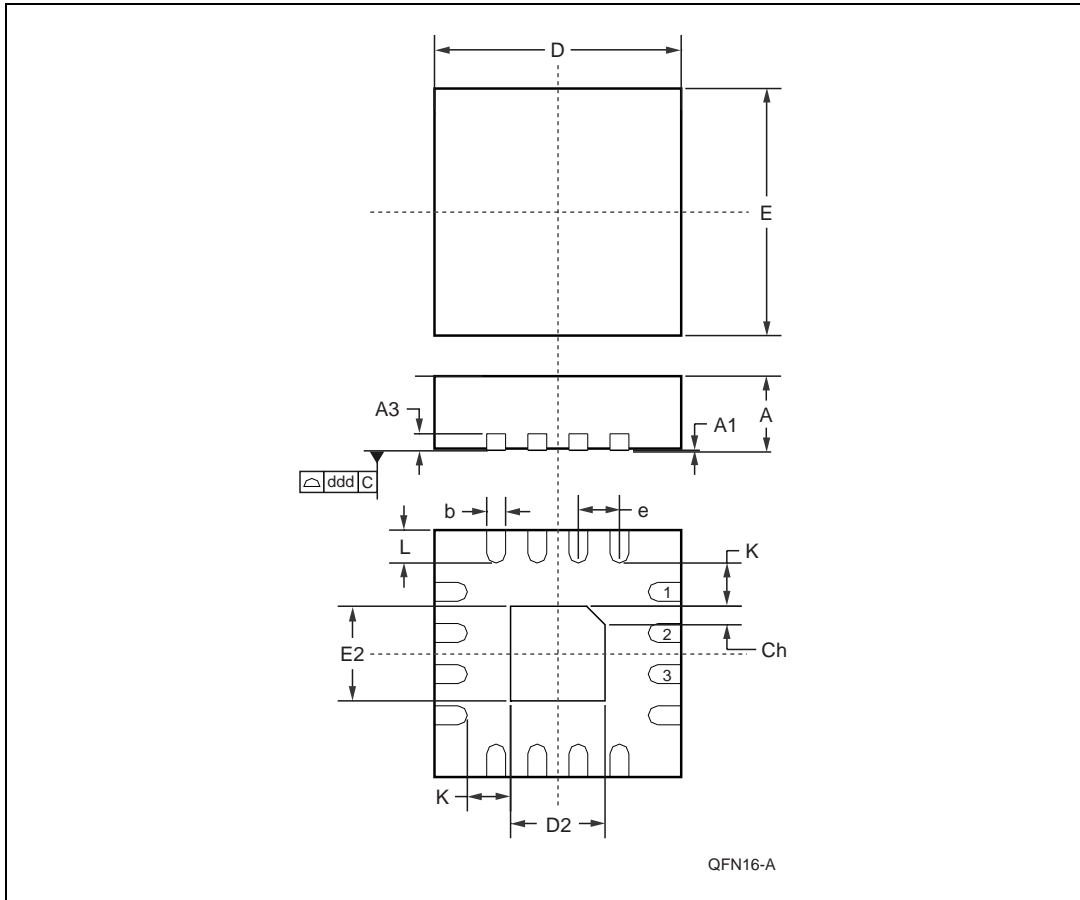
Sym	Parameter ⁽¹⁾	Min	Typ	Max	Units
f _{SCL}	SCL clock frequency	0		400	kHz
t _{LOW}	Clock low period	1.3			μs
t _{HIGH}	Clock high period	600			ns
t _R	SDA and SCL rise time			300	ns
t _F	SDA and SCL fall time			300	ns
t _{HD:STA}	START condition hold time (after this period the first clock pulse is generated)	600			ns
t _{SU:STA}	START condition setup time (only relevant for a repeated start condition)	600			ns
t _{SU:DAT} ⁽²⁾	Data setup time	100			ns
t _{HD:DAT}	Data hold time	0			μs
t _{SU:STO}	STOP condition setup time	600			ns
t _{BUF}	Time the bus must be free before a new transmission can start	1.3			μs
t _{rec}	Watchdog output pulse width	96		98	ms

1. Valid for Ambient Operating Temperature: T_A = -40 to 85°C; V_{CC} = 1.3 to 4.4V (except where noted).
2. Transmitter must internally provide a hold time to bridge the undefined region (300ns max) of the falling edge of SCL.

6 Package mechanical information

In order to meet environmental requirements, ST offers these devices in ECOPACK[®] packages. These packages have a Lead-free second level interconnect. The category of second Level Interconnect is marked on the package and on the inner box label, in compliance with JEDEC Standard JESD97. The maximum ratings related to soldering conditions are also marked on the inner box label. ECOPACK is an ST trademark. ECOPACK specifications are available at: www.st.com.

Figure 26. QFN16 – 16-lead, Quad, Flat Package, no Lead, 3x3mm body size, outline

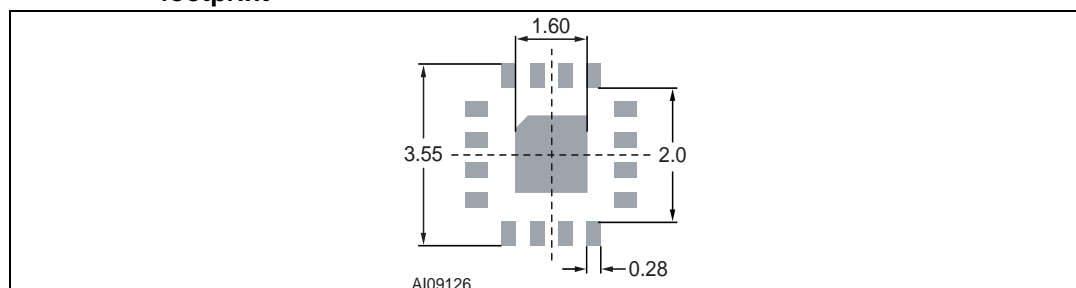


1. Drawing is not to scale.

Table 18. QFN16 – 16-lead, Quad, Flat Package, no Lead, 3x3mm body size, mechanical data

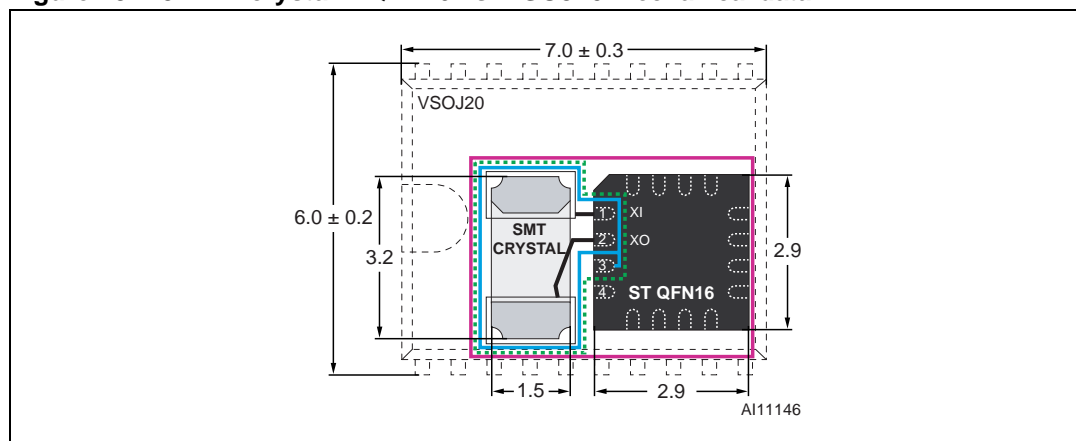
Symb	mm			inches		
	Typ	Min	Max	Typ	Min	Max
A	0.90	0.80	1.00	0.035	0.032	0.039
A1	0.02	0.00	0.05	0.001	0.000	0.002
A3	0.20	–	–	0.008	–	–
b	0.25	0.18	0.30	0.010	0.007	0.012
D	3.00	2.90	3.10	0.118	0.114	0.122
D2	1.70	1.55	1.80	0.067	0.061	0.071
E	3.00	2.90	3.10	0.118	0.114	0.122
E2	1.70	1.55	1.80	0.067	0.061	0.071
e	0.50	–	–	0.020	–	–
K	0.20	–	–	0.008	–	–
L	0.40	0.30	0.50	0.016	0.012	0.020
ddd	–	0.08	–	–	0.003	–
Ch	–	0.33	–	–	0.013	–
N	16			16		

Figure 27. QFN16 – 16-lead, Quad, Flat Package, no Lead, 3x3mm, recommended footprint



1. Dimensions shown are in millimeters (mm).

Figure 28. 32KHz crystal + QFN16 vs. VSOJ20 mechanical data



1. Dimensions shown are in millimeters (mm).

7 Part numbering

Table 19. Ordering information scheme

Example:	M41T	62	Q	6	F
Device family M41T					
Device type and supply voltage 62 = $V_{CC} = 1.3V$ to 4.4V 63 = $V_{CC} = 1.3V$ to 4.4V 64 = $V_{CC} = 1.3V$ to 4.4V 65 = $V_{CC} = 1.3V$ to 4.4V					
Package Q = QFN16 (3mm x 3mm)					
Temperature range 6 = $-40^{\circ}C$ to $85^{\circ}C$					
Shipping method for SOIC F = ECOPACK package, Tape & Reel					

For other options, or for more information on any aspect of this device, please contact the ST Sales Office nearest you.

8 Revision history

Table 20. Revision history

Date	Revision	Revision changes
November 13, 2003	1.0	First Issue
19-Nov-03	1.1	Add features, update characteristics (Figure 1 , Figure 2 , Figure 4 , Figure 9 , Figure 22 ; Table 2 , Table 3 , Table 9 , Table 11 , Table 14 , Table 17)
25-Dec-03	2.0	Reformatted; add crystal isolation, footprint (Figure 24)
14-Jan-04	2.1	Update characteristics (Figure 1 , Figure 9 , Figure 24 ; Table 1 , Table 3 , Table 9 , Table 14)
27-Feb-04	2.2	Update characteristics and mechanical dimensions (Figure 1 , Figure 2 , Figure 3 , Figure 4 , Figure 5 , Figure 6 , Figure 9 , Figure 10 , Figure 11 , Figure 12 , Figure 26 , Figure 27 ; Table 3 , Table 4 , Table 5 , Table 6 , Table 9 , Table 11 , Table 14 , Table 18)
02-Mar-04	2.3	Update characteristics (Figure 7 , Figure 8 , Figure 11 ; Table 2 , Table 14)
26-Apr-04	3.0	Reformat and republish
13-May-04	4.0	Update characteristics (Figure 5 , Figure 6 , Figure 7 , Figure 8 , Figure 24 , Figure 27 ; Table 11 , Table 14 , Table 15)
06-Aug-04	5.0	Correct diagrams; update characteristics (Figure 2 , Figure 3 , Figure 24 ; Table 2 , Table 14 , Table 16)
11-Oct-04	6.0	Update characteristics (Table 11 , Table 14)
18-Jan-05	7.0	Correct footprint dimensions; update characteristics (Figure 2 , Figure 7 , Figure 11 , Figure 13 , Figure 27 ; Table 1 , Table 2 , Table 5 , Table 8 , Table 9 , Table 11 , Table 12 , Table 14 , Table 15 , Table 16 , Table 17)
05-May-05	8.0	Add package comparison and mechanical data (in Feature summary on page 1 , Figure 28)
31-Oct-05	9.0	Update: bus operating voltage, characteristics, add Lead-free text (Figure 13 ; Table 11 , Table 12 , Table 14 , Table 17 , Table 19)
30-Nov-05	10.0	Update ESD:HBM rating, crystal characteristics (Table 11 , Table 15)
22-Aug-2006	11	Changed document to new template; small text changes for Feature summary on page 1

Please Read Carefully:

Information in this document is provided solely in connection with ST products. STMicroelectronics NV and its subsidiaries ("ST") reserve the right to make changes, corrections, modifications or improvements, to this document, and the products and services described herein at any time, without notice.

All ST products are sold pursuant to ST's terms and conditions of sale.

Purchasers are solely responsible for the choice, selection and use of the ST products and services described herein, and ST assumes no liability whatsoever relating to the choice, selection or use of the ST products and services described herein.

No license, express or implied, by estoppel or otherwise, to any intellectual property rights is granted under this document. If any part of this document refers to any third party products or services it shall not be deemed a license grant by ST for the use of such third party products or services, or any intellectual property contained therein or considered as a warranty covering the use in any manner whatsoever of such third party products or services or any intellectual property contained therein.

UNLESS OTHERWISE SET FORTH IN ST'S TERMS AND CONDITIONS OF SALE ST DISCLAIMS ANY EXPRESS OR IMPLIED WARRANTY WITH RESPECT TO THE USE AND/OR SALE OF ST PRODUCTS INCLUDING WITHOUT LIMITATION IMPLIED WARRANTIES OF MERCHANTABILITY, FITNESS FOR A PARTICULAR PURPOSE (AND THEIR EQUIVALENTS UNDER THE LAWS OF ANY JURISDICTION), OR INFRINGEMENT OF ANY PATENT, COPYRIGHT OR OTHER INTELLECTUAL PROPERTY RIGHT.

UNLESS EXPRESSLY APPROVED IN WRITING BY AN AUTHORIZED ST REPRESENTATIVE, ST PRODUCTS ARE NOT RECOMMENDED, AUTHORIZED OR WARRANTED FOR USE IN MILITARY, AIR CRAFT, SPACE, LIFE SAVING, OR LIFE SUSTAINING APPLICATIONS, NOR IN PRODUCTS OR SYSTEMS WHERE FAILURE OR MALFUNCTION MAY RESULT IN PERSONAL INJURY, DEATH, OR SEVERE PROPERTY OR ENVIRONMENTAL DAMAGE. ST PRODUCTS WHICH ARE NOT SPECIFIED AS "AUTOMOTIVE GRADE" MAY ONLY BE USED IN AUTOMOTIVE APPLICATIONS AT USER'S OWN RISK.

Resale of ST products with provisions different from the statements and/or technical features set forth in this document shall immediately void any warranty granted by ST for the ST product or service described herein and shall not create or extend in any manner whatsoever, any liability of ST.

ST and the ST logo are trademarks or registered trademarks of ST in various countries.

Information in this document supersedes and replaces all information previously supplied.

The ST logo is a registered trademark of STMicroelectronics. All other names are the property of their respective owners.

© 2006 STMicroelectronics - All rights reserved

STMicroelectronics group of companies

Australia - Belgium - Brazil - Canada - China - Czech Republic - Finland - France - Germany - Hong Kong - India - Israel - Italy - Japan - Malaysia - Malta - Morocco - Singapore - Spain - Sweden - Switzerland - United Kingdom - United States of America

www.st.com