

**ADJUSTABLE PRECISION SHUNT REGULATORS****AS431****General Description**

The AS431 series ICs are three-terminal adjustable shunt regulators with guaranteed thermal stability over a full operation range. These ICs feature sharp turn-on characteristics, low temperature coefficient and low output impedance, which make them ideal substitutes for Zener diodes in applications such as switching power supply, charger and other adjustable regulators.

The output voltage of these ICs can be set to any value between V_{REF} (2.5V) and the maximum cathode voltage (36V).

The AS431 precision reference is offered in two band-gap tolerance: 0.4% and 0.8%.

These ICs are available in 4 Packages: TO-92, SOT-23-3, SOT-23-5 and SOT-89 .

Features

- Programmable Precise Output Voltage from 2.5V to 36V
- Very Accurate Reference Voltage: 0.15% Typical
- High Stability under Capacitive Load
- Low Temperature Deviation: 4.5mV Typical
- Low Equivalent Full-range Temperature Coefficient with 20PPM/°C Typical
- Low Dynamic Output Resistance: 0.15Ω Typical
- Sink Current Capacity from 1mA to 100 mA
- Low Output Noise
- Wide Operating Range of -40 to 125°C

Applications

- Charger
- Voltage Adapter
- Switching Power Supply
- Graphic Card
- Precision Voltage Reference

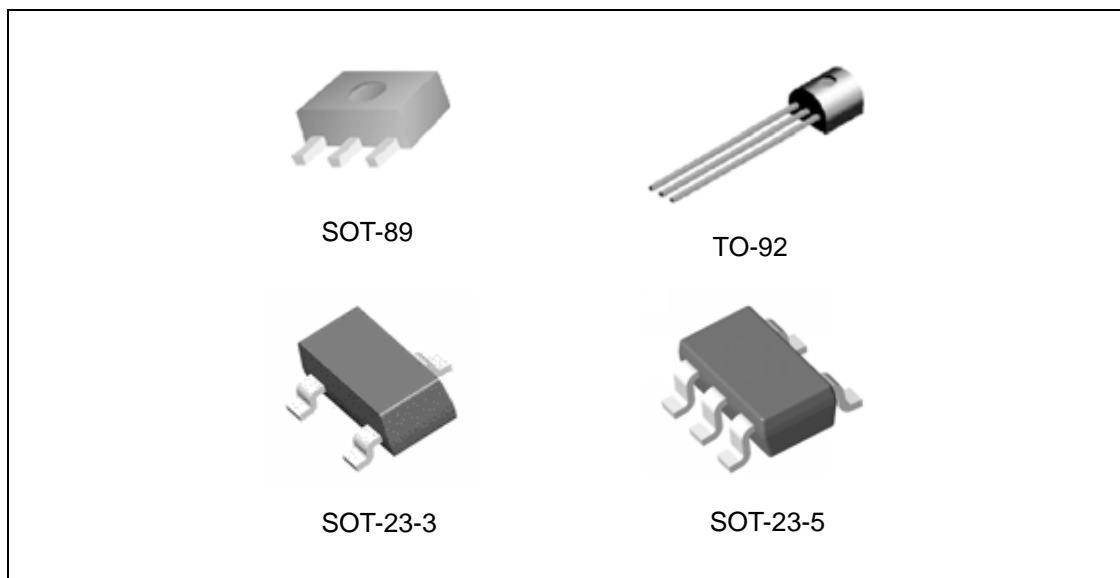


Figure 1. Package Types of AS431



ADJUSTABLE PRECISION SHUNT REGULATORS

AS431

Pin Configuration

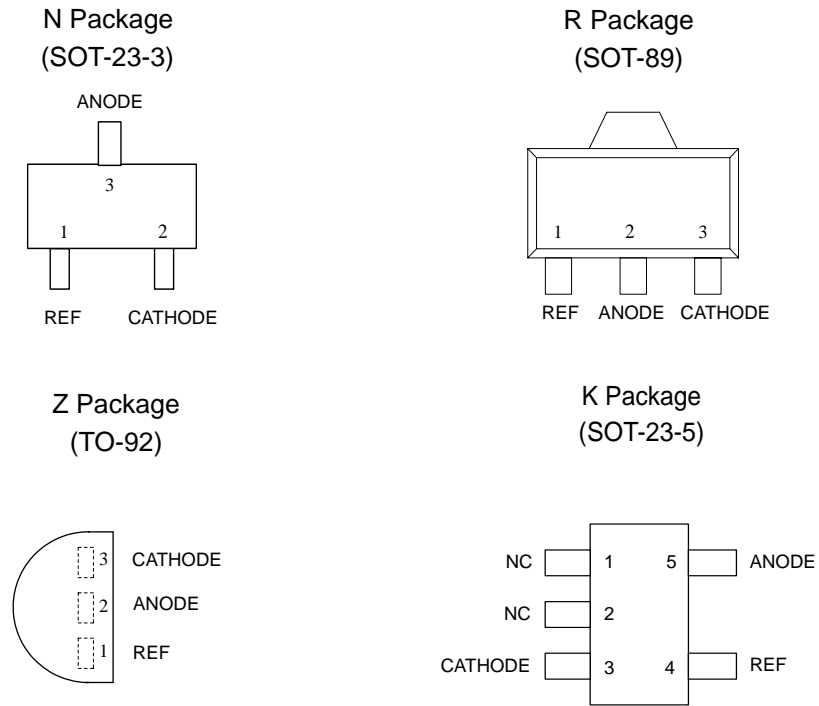


Figure 2. Pin Configuration of AS431 (Top View)

Functional Block Diagram

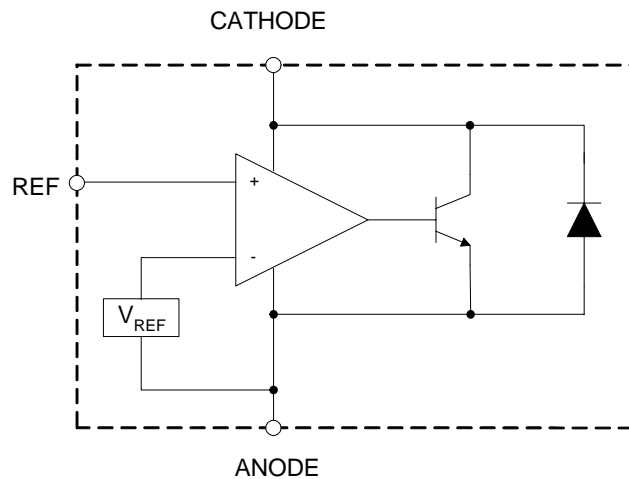


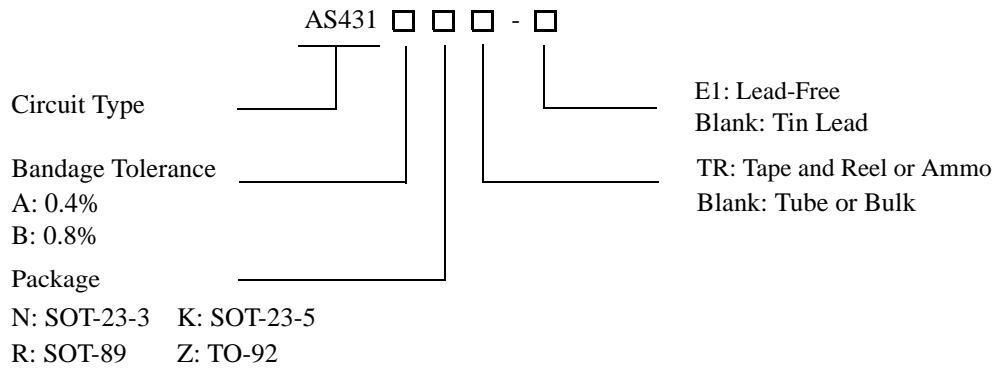
Figure 3. Functional Block Diagram of AS431



ADJUSTABLE PRECISION SHUNT REGULATORS

AS431

Ordering Information



| Package | Temperature Range | Voltage Tolerance | Part Number | | Marking ID | | Packing Type |
|----------|-------------------|-------------------|-------------|--------------|------------|------------|--------------|
| | | | Tin Lead | Lead Free | Tin Lead | Lead Free | |
| SOT-23-3 | -40 to 125°C | 0.4% | | AS431ANTR-E1 | | EB5 | Tape & Reel |
| | | 0.8% | | AS431BNTR-E1 | | EB6 | Tape & Reel |
| SOT-23-5 | -40 to 125°C | 0.4% | | AS431AKTR-E1 | | E6H | Tape & Reel |
| | | 0.8% | | AS431BKTR-E1 | | E6I | Tape & Reel |
| TO-92 | -40 to 125°C | 0.4% | | AS431AZ-E1 | | AS431AZ-E1 | Bulk |
| | | 0.4% | | AS431AZTR-E1 | | AS431AZ-E1 | Ammo |
| | | 0.8% | | AS431BZ-E1 | | AS431BZ-E1 | Bulk |
| | | 0.8% | | AS431BZTR-E1 | | AS431BZ-E1 | Ammo |
| SOT-89 | -40 to 125°C | 0.4% | | AS431ARTR-E1 | | E43G | Tape & Reel |
| | | 0.8% | | AS431BRTR-E1 | | E43H | Tape & Reel |

BCD Semiconductor's Pb-free products, as designated with "E1" suffix in the part number, are RoHS compliant.

**ADJUSTABLE PRECISION SHUNT REGULATORS****AS431****Absolute Maximum Ratings (Note 1)**

| Parameter | Symbol | Value | Unit |
|------------------------------------|---------------|-------------------|------|
| Cathode Voltage | V_{KA} | 40 | V |
| Cathode Current Range (Continuous) | I_{KA} | -100 to 150 | mA |
| Reference Input Current Range | I_{REF} | 10 | mA |
| Power Dissipation | P_D | Z, R Package: 770 | mW |
| | | N, K Package: 370 | |
| Junction Temperature | T_J | 160 | °C |
| Storage Temperature Range | T_{STG} | -65 to 150 | °C |
| Package Thermal Impedance | θ_{JA} | N Package: 330 | °C/W |
| | | Z Package: 150 | |
| | | R Package: 50 | |
| | | K Package: 250 | |
| ESD (Human Body Model) | | 4000 | V |

Note 1: Stresses greater than those listed under "Absolute Maximum Ratings" may cause permanent damage to the device. These are stress ratings only, and functional operation of the device at these or any other conditions beyond those indicated under "Recommended Operating Conditions" is not implied. Exposure to "Absolute Maximum Ratings" for extended periods may affect device reliability.

Recommended Operating Conditions

| Parameter | Symbol | Min | Max | Unit |
|-------------------------------------|----------|-----------|-----|------|
| Cathode Voltage | V_{KA} | V_{REF} | 36 | V |
| Cathode Current | I_{KA} | 1.0 | 100 | mA |
| Operating Ambient Temperature Range | | -40 | 125 | °C |



ADJUSTABLE PRECISION SHUNT REGULATORS

AS431

Electrical Characteristics for AS431

Operating Conditions: $T_A=25^{\circ}\text{C}$, unless otherwise specified.

| Parameter | Test Circuit | Symbol | Conditions | AS431 | | | Unit |
|---|--------------|--|--|---|-------|-------|---------------|
| | | | | Min | Typ | Max | |
| Reference Voltage | 0.4% | 4 | $V_{KA}=V_{REF}, I_{KA}=10\text{mA}$ | 2.490 | 2.500 | 2.510 | V |
| | 0.8% | | | 2.480 | 2.500 | 2.520 | |
| Deviation of Reference Voltage Over-temperature | 4 | ΔV_{REF} | $V_{KA}=V_{REF}, I_{KA}=10\text{mA}$ | 0 to 70°C | 4.5 | 8 | mV |
| | | | | -40 to 85°C | 4.5 | 10 | |
| Ratio of Change in Reference Voltage to the Change in Cathode Voltage | 5 | $\frac{\Delta V_{REF}}{\Delta V_{KA}}$ | $I_{KA}=10\text{mA}$ | $\Delta V_{KA}=10\text{V to } V_{REF}$ | -1.0 | -2.7 | mV/V |
| | | | | $\Delta V_{KA}=36\text{V to } 10\text{V}$ | -0.5 | -2.0 | |
| Reference Current | 5 | I_{REF} | $I_{KA}=10\text{mA}, R1=10\text{K}\Omega, R2=\infty$ | | 0.7 | 4 | μA |
| Deviation of Reference Current Over Full Temperature Range | 5 | ΔI_{REF} | $I_{KA}=10\text{mA}, R1=10\text{K}\Omega, R2=\infty, T_A=-40 \text{ to } 85^{\circ}\text{C}$ | | 0.4 | 1.2 | μA |
| Minimum Cathode Current for Regulation | 4 | $I_{KA}(\text{Min})$ | $V_{KA}=V_{REF}$ | | 0.4 | 1.0 | mA |
| Off-state Cathode Current | 6 | $I_{KA}(\text{Off})$ | $V_{KA}=36\text{V}, V_{REF}=0$ | | 0.05 | 1.0 | μA |
| Dynamic Impedance | 4 | Z_{KA} | $V_{KA}=V_{REF}, I_{KA}=1 \text{ to } 100\text{mA}, f \leq 1.0\text{KHz}$ | | 0.15 | 0.5 | Ω |



ADJUSTABLE PRECISION SHUNT REGULATORS

AS431

Electrical Characteristics (Continued)

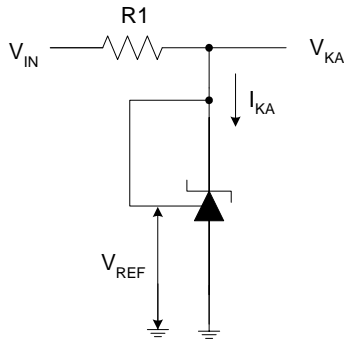


Figure 4. Test Circuit 4 for $V_{KA}=V_{REF}$

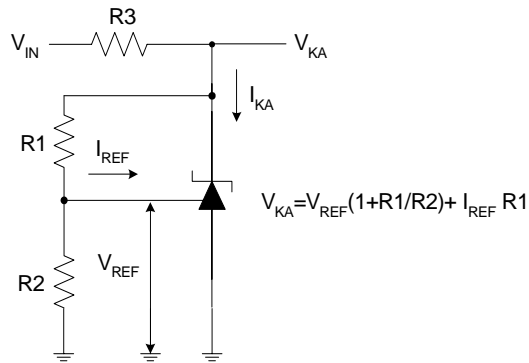


Figure 5. Test Circuit 5 for $V_{KA} > V_{REF}$

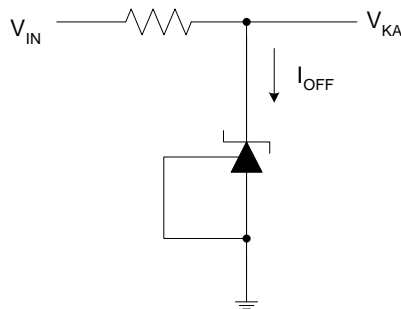


Figure 6. Test Circuit 6 for I_{OFF}



ADJUSTABLE PRECISION SHUNT REGULATORS

AS431

Typical Performance Characteristics

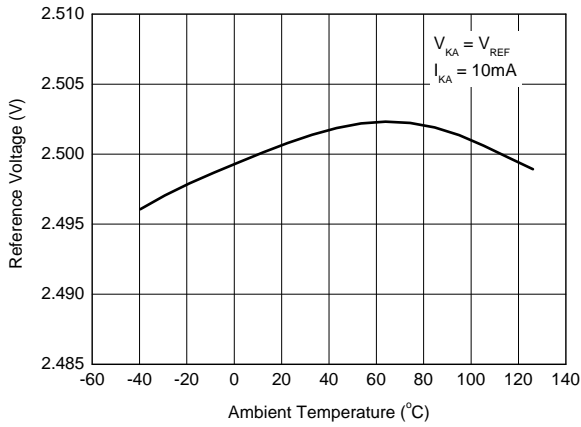


Figure 7. Reference Voltage vs. Ambient Temperature

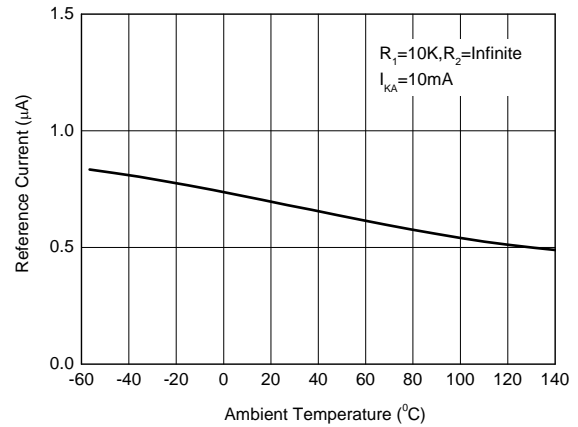


Figure 8. Reference Current vs. Ambient Temperature

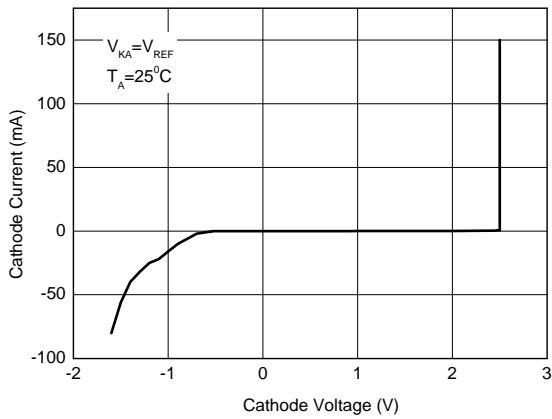


Figure 9. Cathode Current vs. Cathode Voltage

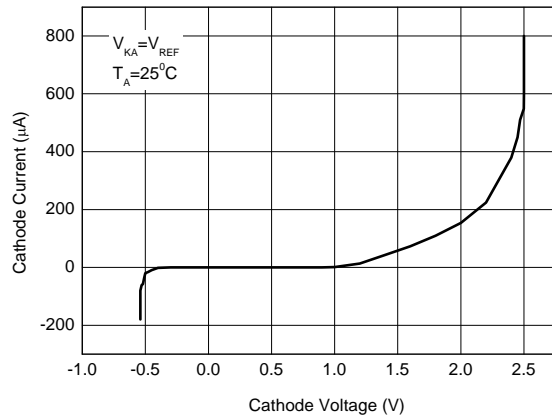


Figure 10. Cathode Current vs. Cathode Voltage



ADJUSTABLE PRECISION SHUNT REGULATORS

AS431

Typical Performance Characteristics (Continued)

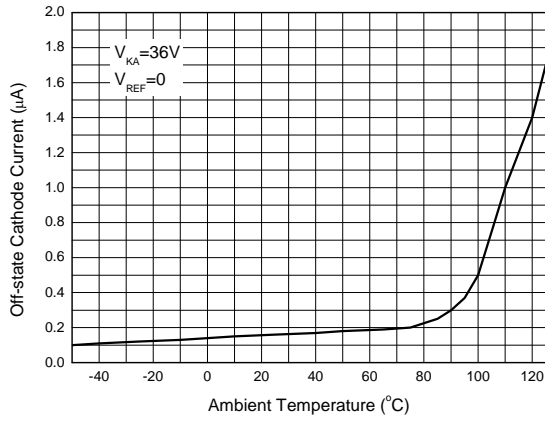


Figure 11. Off-state Cathode Current vs. Ambient Temperature

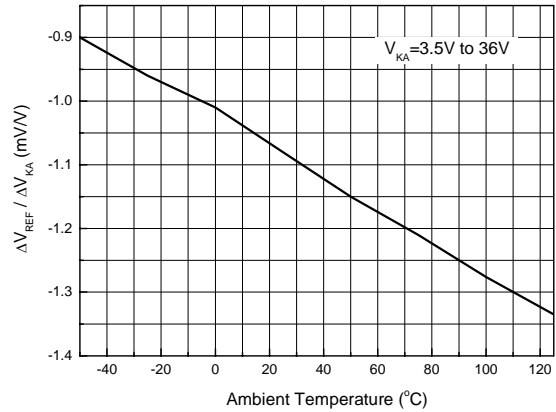


Figure 12. Ratio of Delta Reference Voltage to the Ratio of Delta Cathode Voltage

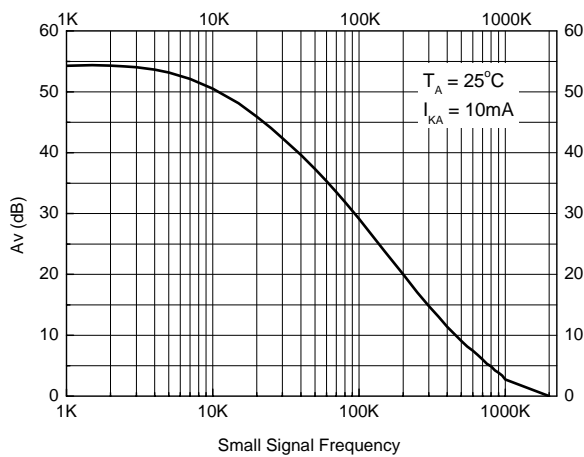
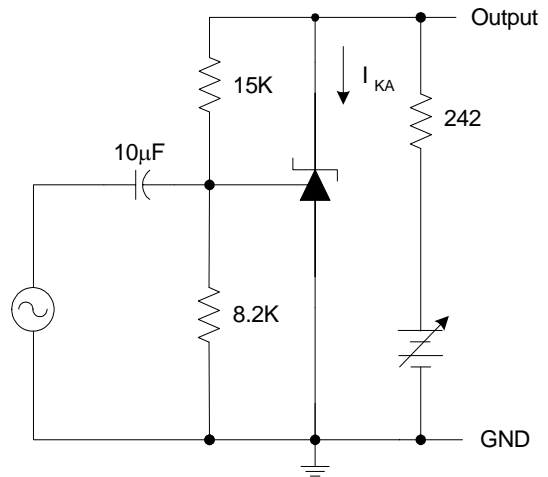


Figure 13. Small Signal Voltage Gain vs. Frequency





ADJUSTABLE PRECISION SHUNT REGULATORS

AS431

Typical Performance Characteristics (Continued)

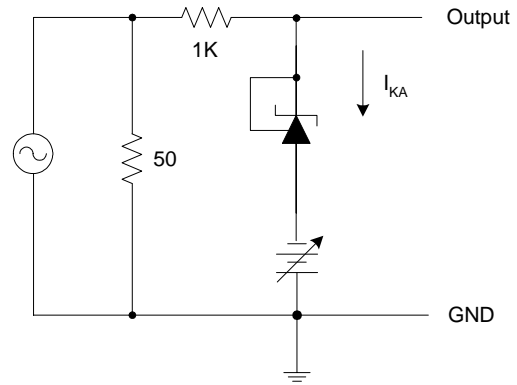
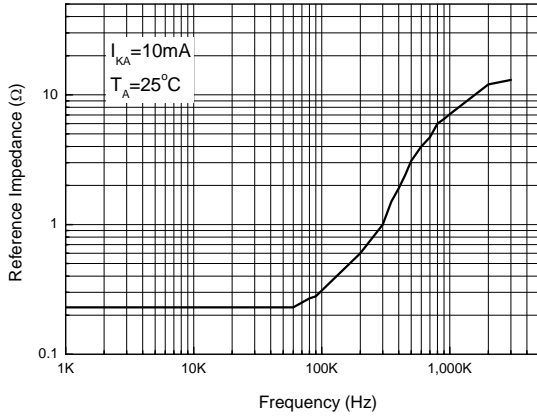


Figure 14. Reference Impedance vs. Frequency

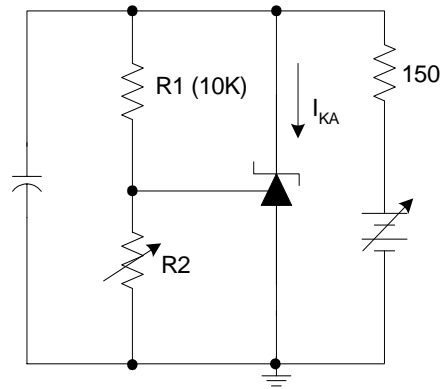
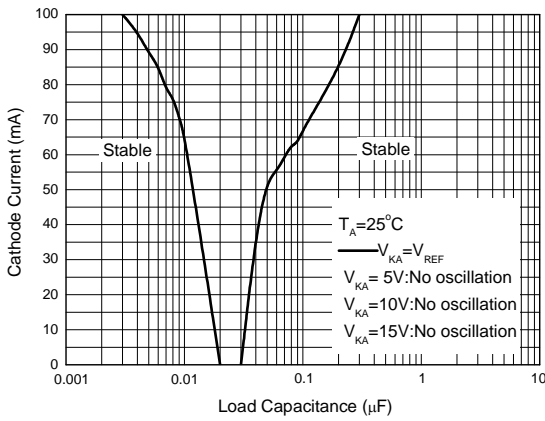


Figure 15. Stability Boundary Conditions vs. Load Capacitance



ADJUSTABLE PRECISION SHUNT REGULATORS

AS431

Typical Performance Characteristics (Continued)

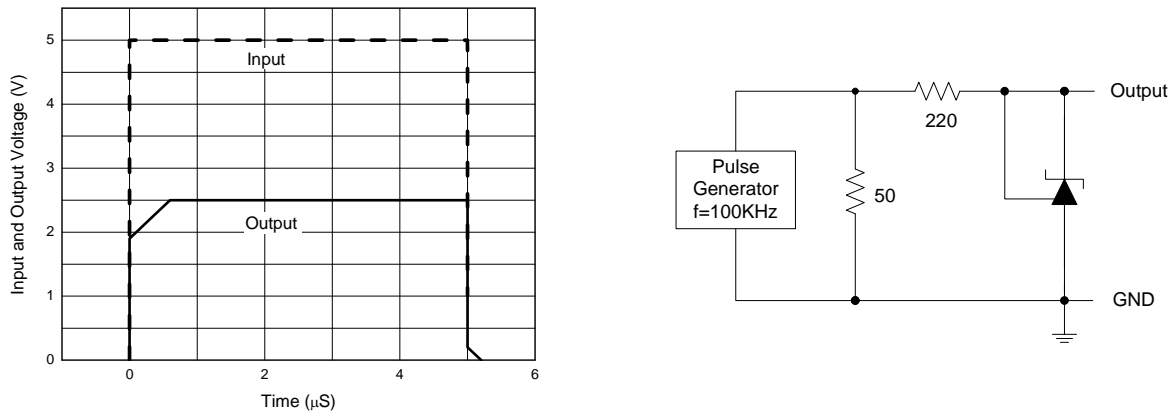


Figure 16. Pulse Response of Input and Output Voltage



ADJUSTABLE PRECISION SHUNT REGULATORS

AS431

Typical Application

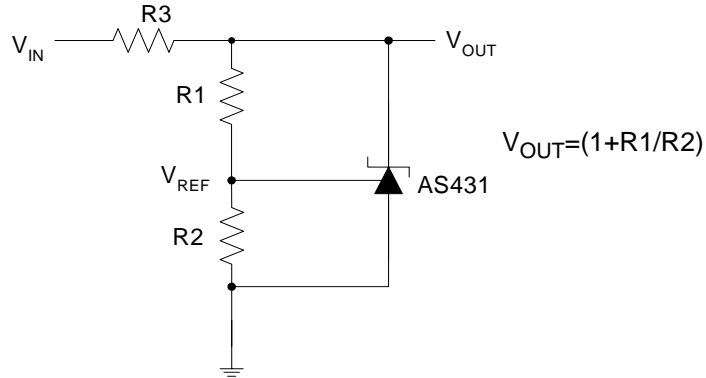


Figure 17. Shunt Regulator

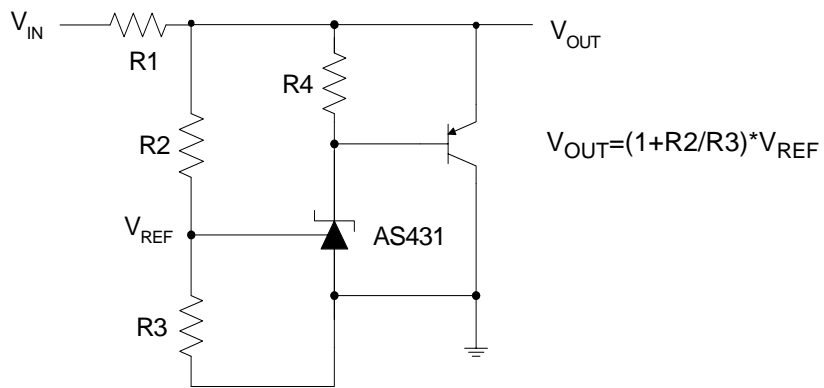


Figure 18. High Current Shunt Regulator

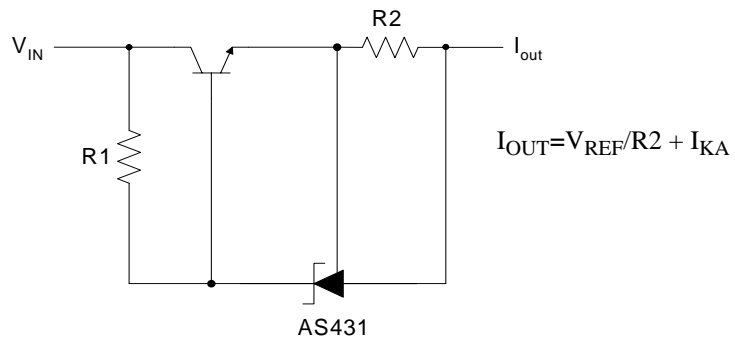


Figure 19. Current Source or Current Limit



ADJUSTABLE PRECISION SHUNT REGULATORS

AS431

Typical Application (Continued)

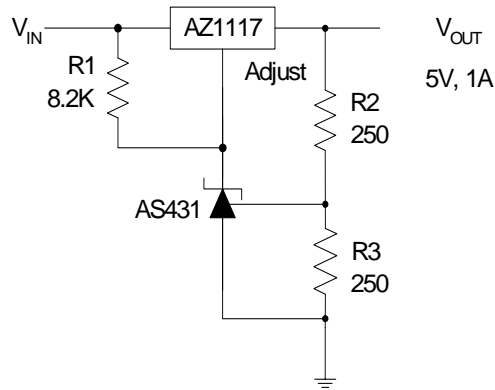


Figure 20. Precision 5V 1A Regulator

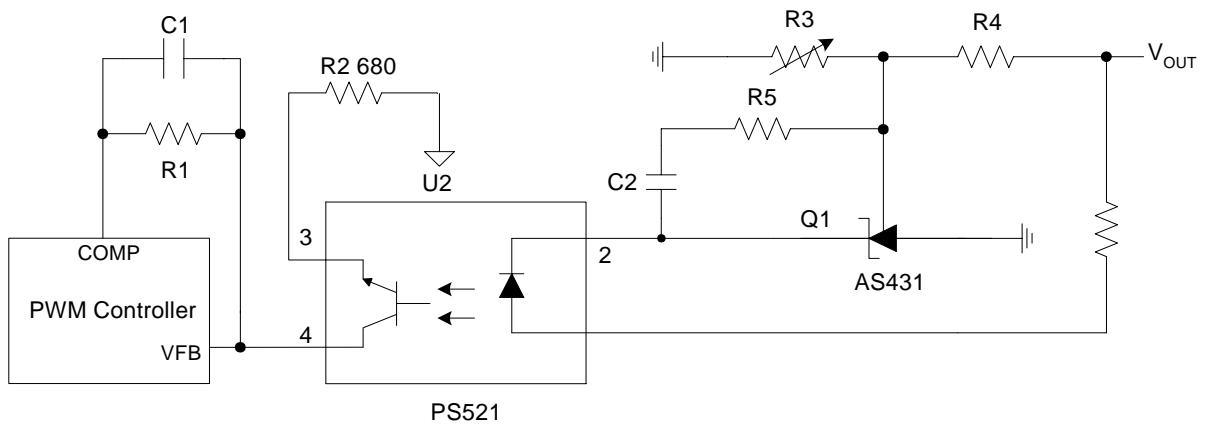


Figure 21. PWM Converter with Reference



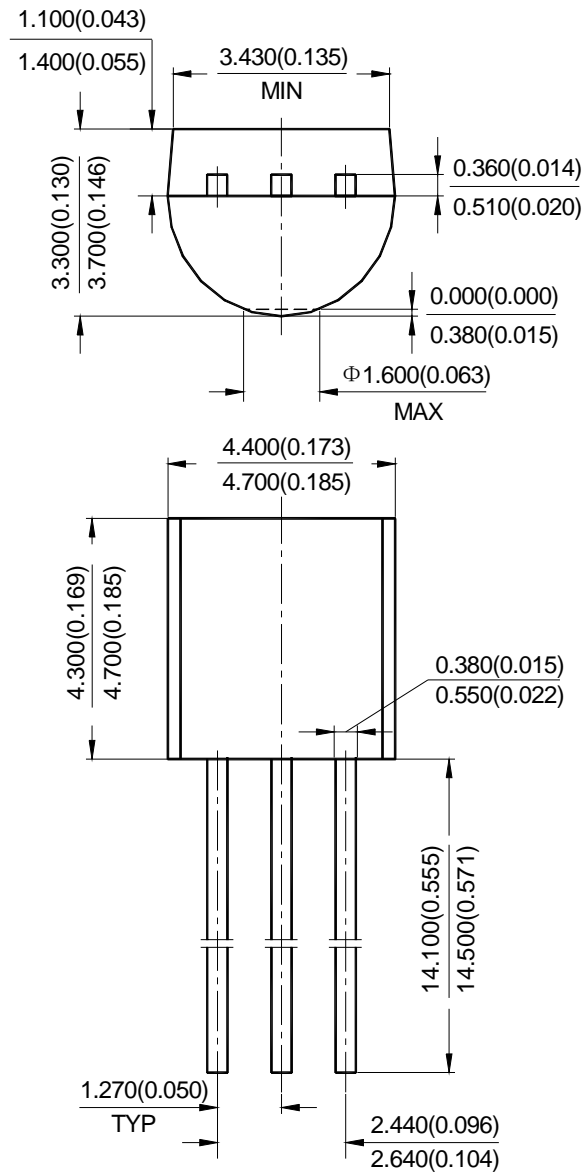
ADJUSTABLE PRECISION SHUNT REGULATORS

AS431

Mechanical Dimensions

TO-92

Unit: mm (inch)





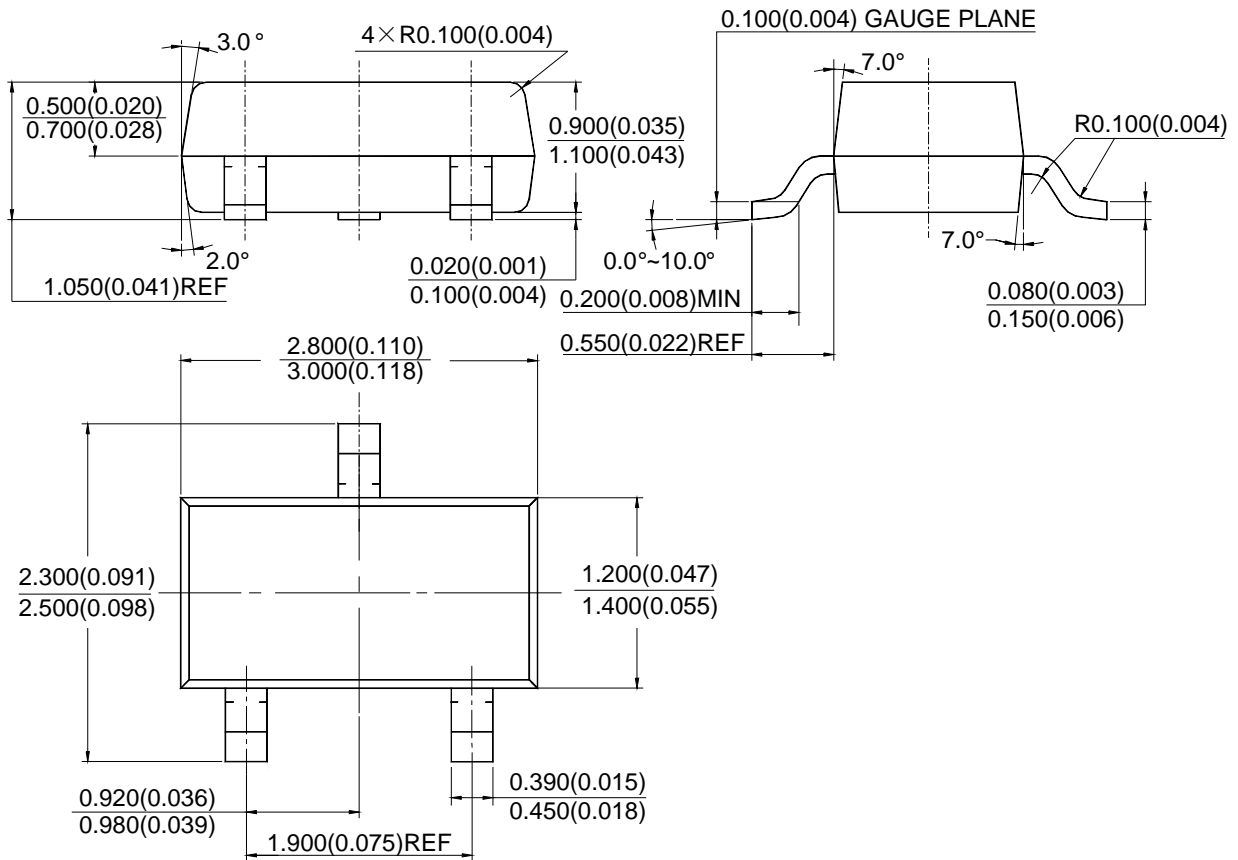
ADJUSTABLE PRECISION SHUNT REGULATORS

AS431

Mechanical Dimensions (Continued)

SOT-23-3

Unit: mm(inch)





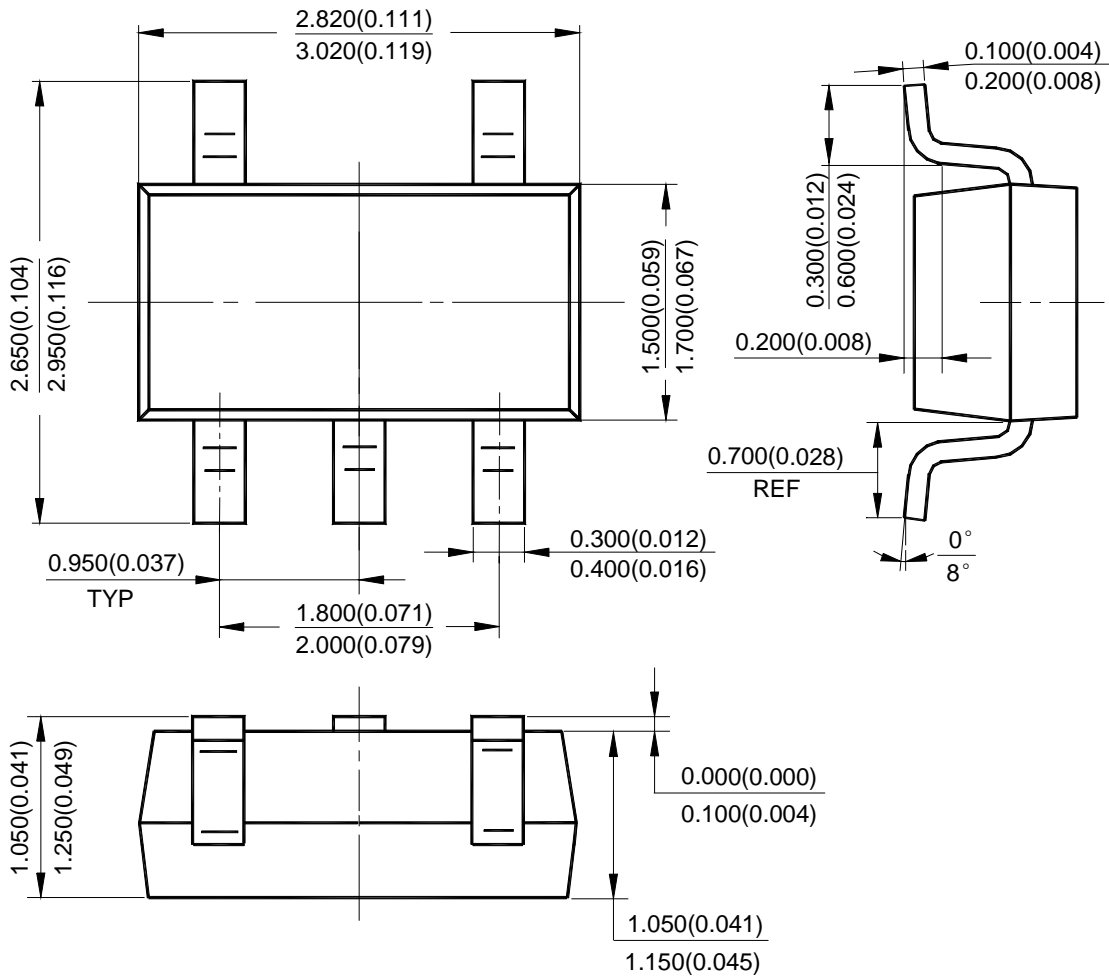
ADJUSTABLE PRECISION SHUNT REGULATORS

AS431

Mechanical Dimensions (Continued)

SOT-23-5

Unit: mm(inch)





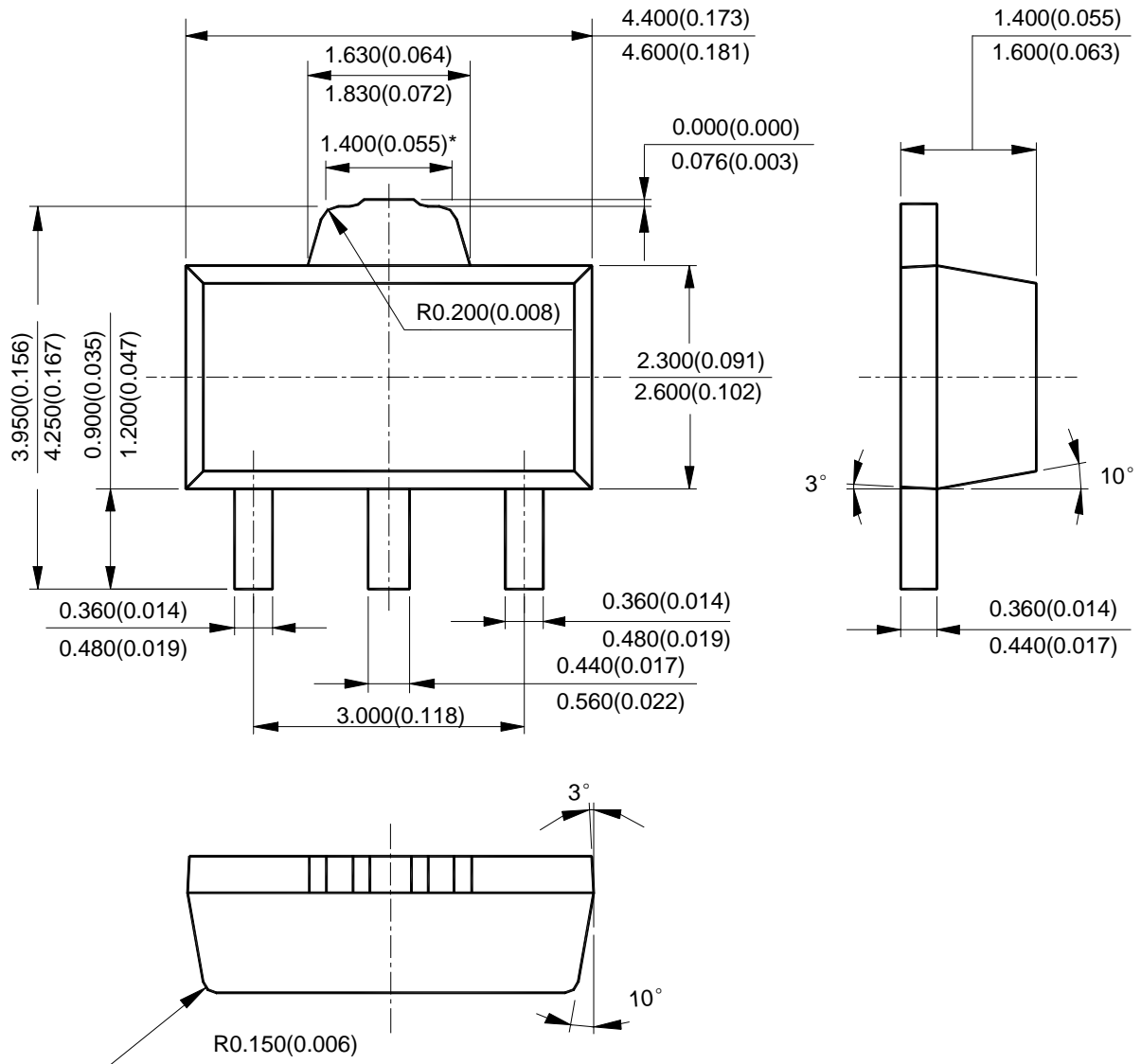
ADJUSTABLE PRECISION SHUNT REGULATORS

AS431

Mechanical Dimensions (Continued)

SOT-89

Unit: mm(inch)





BCD Semiconductor Manufacturing Limited

<http://www.bcdsemi.com>

IMPORTANT NOTICE

BCD Semiconductor Manufacturing Limited reserves the right to make changes without further notice to any products or specifications herein. BCD Semiconductor Manufacturing Limited does not assume any responsibility for use of any its products for any particular purpose, nor does BCD Semiconductor Manufacturing Limited assume any liability arising out of the application or use of any its products or circuits. BCD Semiconductor Manufacturing Limited does not convey any license under its patent rights or other rights nor the rights of others.

MAIN SITE

BCD Semiconductor Manufacturing Limited
- Wafer Fab
Shanghai SIM-BCD Semiconductor Manufacturing Limited
800, Yi Shan Road, Shanghai 200233, China
Tel: +86-21-6485 1491, Fax: +86-21-5450 0008

BCD Semiconductor Manufacturing Limited
- IC Design Group
Advanced Analog Circuits (Shanghai) Corporation
8F, Zone B, 900, Yi Shan Road, Shanghai 200233, China
Tel: +86-21-6495 9539, Fax: +86-21-6485 9673

REGIONAL SALES OFFICE

Shenzhen Office
Shanghai SIM-BCD Semiconductor Manufacturing Co., Ltd. Shenzhen Office
Advanced Analog Circuits (Shanghai) Corporation Shenzhen Office
27B, Tower C, 2070, Middle Shen Nan Road, Shenzhen 518031, China
Tel: +86-755-8368 3987, Fax: +86-755-8368 3166

Taiwan Office
BCD Semiconductor (Taiwan) Company Limited
4F, 298-1, Rui Guang Road, Nei-Hu District, Taipei,
Taiwan
Tel: +886-2-2656 2808, Fax: +886-2-2656 2806

USA Office
BCD Semiconductor Corporation
3170 De La Cruz Blvd., Suite 105, Santa Clara,
CA 95054-2411, U.S.A
Tel: +1-408-988 6388, Fax: +1-408-988 6386