

# TC9135P

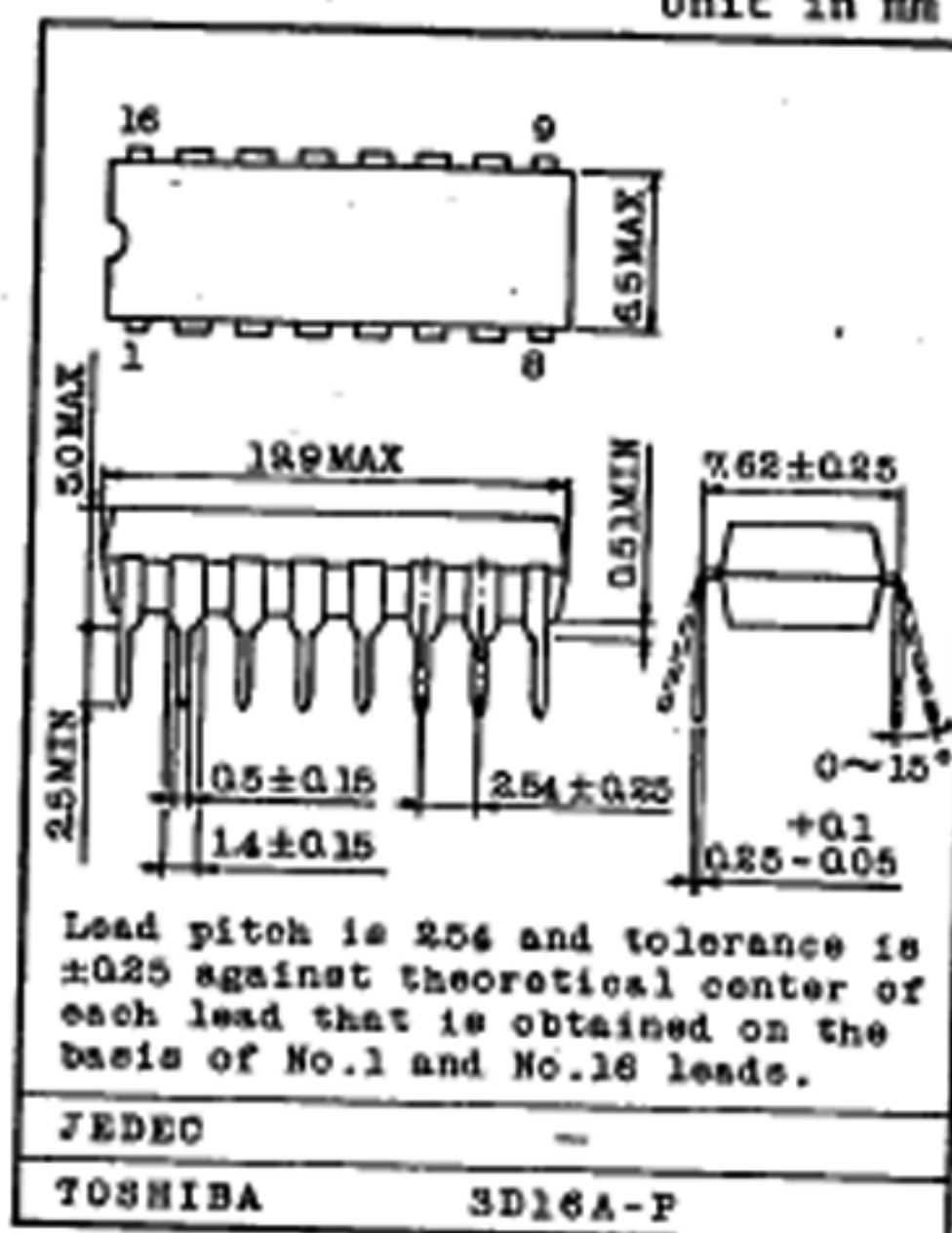
## TC9135P 6CH MUTUAL RESET TYPE TOUCH SWITCH

TC9135P is a 6 circuit flip-flop IC having mutual reset action. When a "L" level signal is given to one input, corresponding output only is ON and all other outputs become OFF.

This IC is effective for electronization of function selector switch of audio system.

- (6-circuit mutual reset type) and (3-circuit mutual reset type) are available for use.
- Nch open drain large current buffer is employed and small type LED relays can be directly driven.
- Input has high impedance, and by providing a touch sensor externally, a touch sensor can be easily configured.
- C-MOS construction provides a broad range of operating voltage, and current consumption is low.

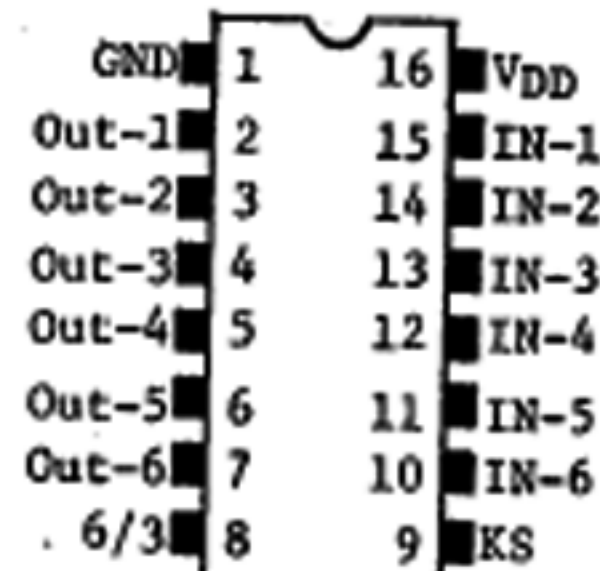
Unit in mm



### MAXIMUM RATINGS ( $T_a=25^\circ\text{C}$ )

CHARACTERISTIC	SYMBOL	RATING	UNIT
Supply Voltage	VDD	16	V
Input Voltage	VIN	-0.3 ~ VDD+0.3	V
Output Voltage	Vout	-0.3 ~ VDD+0.3	V
Output Current	Iout	30	mA
Power Dissipation	PD	600	mW
Operating Temperature	Topr	-30 ~ 75	$^\circ\text{C}$
Storage Temperature	Tstg	-55 ~ 125	$^\circ\text{C}$

### PIN CONNECTION



TOSHIBA

## TC9135P

T-65-05

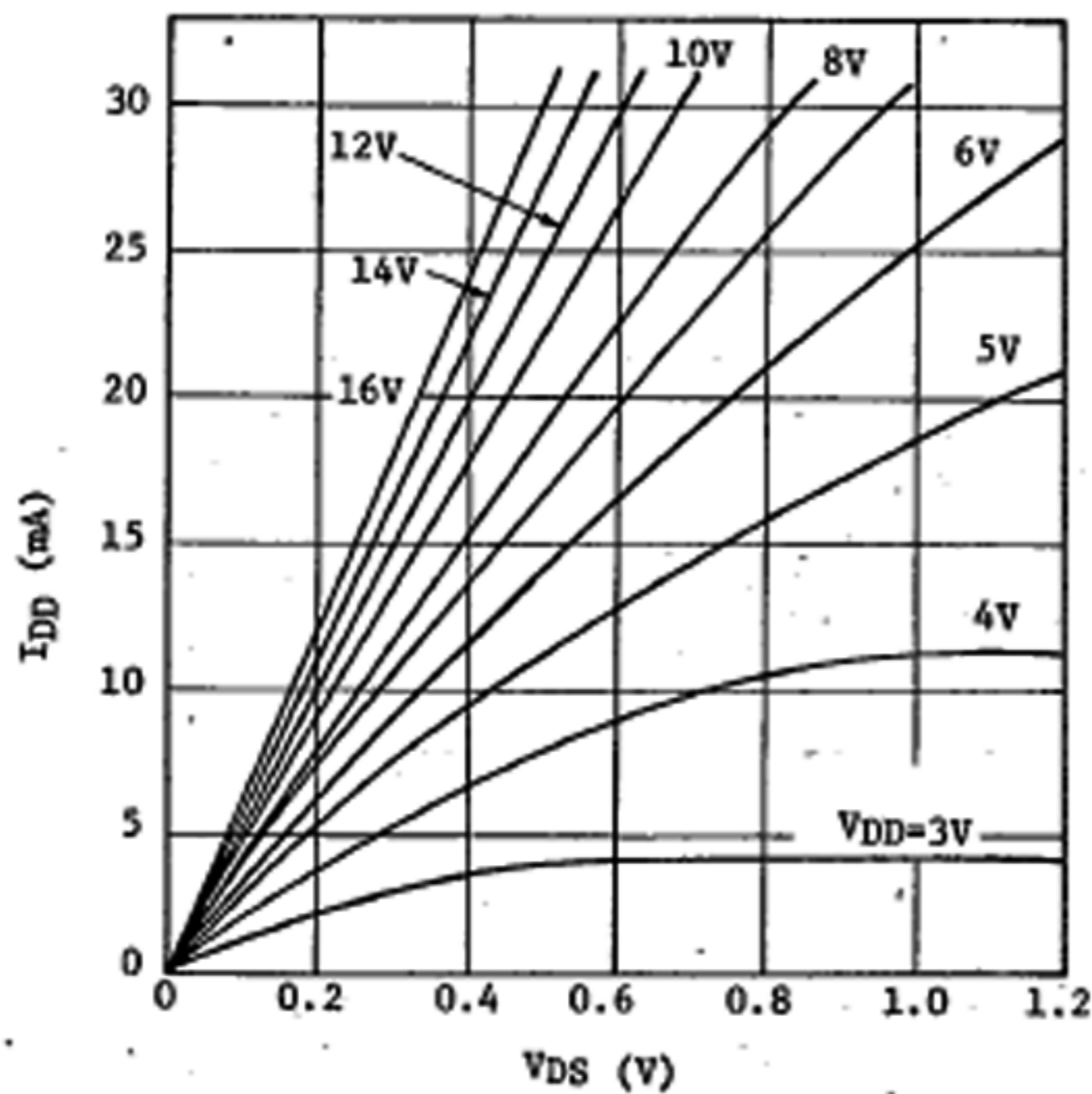
ELECTRICAL CHARACTERISTICS (Unless otherwise specified,  $V_{DD}=12V$ ,  $T_a=25^\circ C$ )

CHARACTERISTIC	SYMBOL	TEST CIRCUIT	TEST CONDITION	MIN.	TYP.	MAX.	UNIT
Operating Supply Voltage	$V_{DD}$	—		3	—	16	V
Quiescent Supply Current	$I_{DD}$	—	$V_{DD}=16.0V$	—	—	20	$\mu A$
Input Current	"H" Level	$I_{IH}$	$V_{IH}=12.0V$ , All input terminal	—	—	0.1	$\mu A$
	"L" Level	$I_{IL}$	$V_{IL}=0V$ , All input terminal	-0.1	—	—	$\mu A$
Input Current Threshold Voltage	$V_{I-th}$	—	All input terminal	—	—	3.0	V
Output Current	"L" Level	$I_{OL}$	$V_{DS}=1.0V$ , Out=1~6	20	—	—	mA
	"H" Level	$I_{OH}$	$V_{DS}=1.0V$ , KS terminal	—	—	-1.0	mA
	"L" Level	$I_{OL}$	$V_{DS}=1.0V$ , KS terminal	1.0	—	—	mA
	"H" Level	$I_{OH}$	$V_{DS}=16V$ , Out=1~6	—	—	1.0	$\mu A$

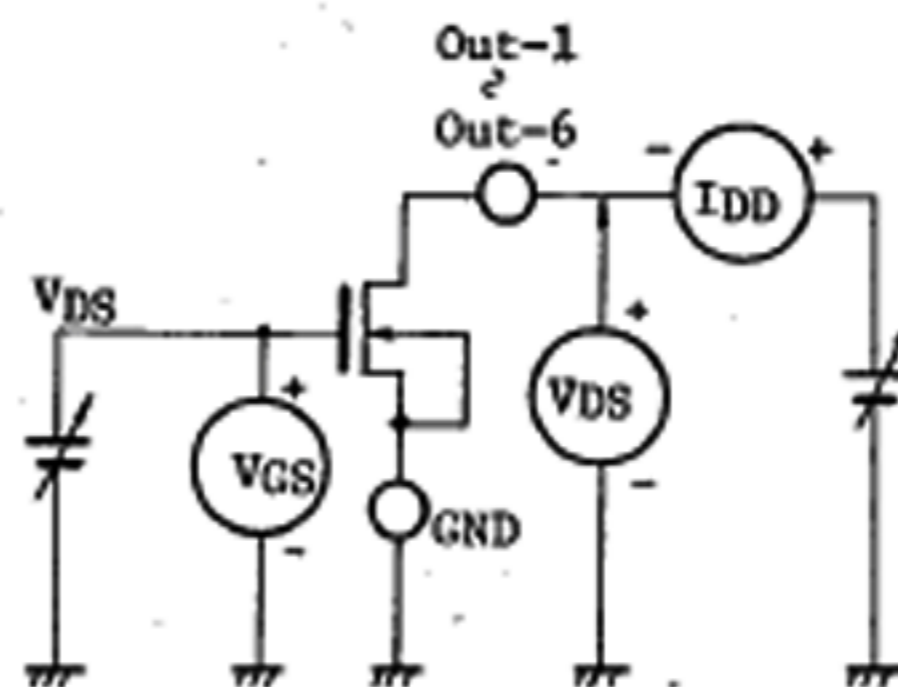
## Characteristic of Output Buffer Transistor (Reference)

Characteristic of  $V_{DS}$  to  $I_{DD}$  at the time when  $V_{GS}$  is taken as parameter (Reference value).

\* This IC is equivalent to  $V_{GS}=V_{DD}$ , and  $V_{DS}$  is the remaining voltage of output.



TEST CIRCUIT



AUDIO DIGITAL IC

TC9135P

T-65-05

## FUNCTIONAL EXPLANATION OF TERMINALS

PIN NO.	SYMBOL	TERMINAL NAME	FUNCTION
15 ? 10	IN-1 ? IN-6	Input signal Terminals	When voltage applied to either one of 1 ~ 6 terminal is changed from "H" to "L" level, Nch FET of corresponding output is turned ON and other outputs are turned OFF. It is thus possible to correspond to both the feather-touch system by measures of a mechanical key and the touch switch by means of a touch sensor.
2 ? 7	Out-1 ? Out-6	Output Terminals	When corresponding input terminals are changed to "L" level, output Nch FET is turned ON and output level becomes "L" level. Even when input signal is returned to "H" level, output is kept at "L" level, but it is released if input is applied to other channels, and Nch FET is turned OFF and output is turned to an open state. As max 30mA of current can be applied to output Nch FET, it is possible to directly drive LED's and small size relays.
9	KS	Input Detection signal	KS output becomes "H" level only during the period when "L" level signal is given to input to either IN-1 ~ IN-6.
8	6/3	6ch/3ch x 2 switching input terminal	When this terminal is at "H" level, the internal 6-circuit flip-flops are all connected as mutual reset type. When it is at "L" level, the flip-flops are separated to 3ch mutual reset types; IN-1 ~ IN-3 and IN-4 ~ IN-6.
16	VDD		
-1	GND		

TOSHIBA

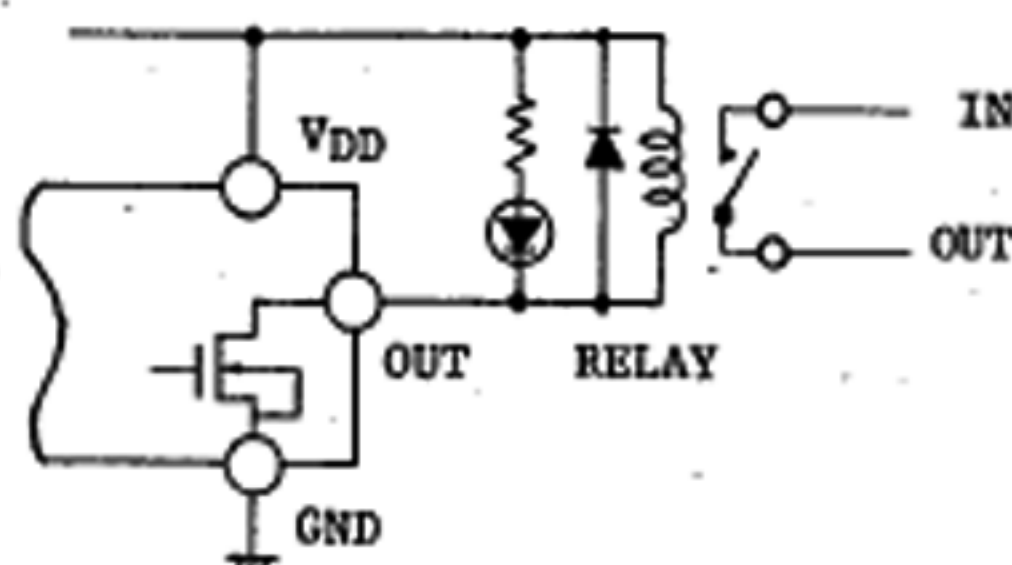


# TC9135P

T-65-05

## 2. OUTPUT CIRCUIT

The output circuit is of Nch FET open drain type, capable of leading in current up to 30mA, and is able to directly drive LED's and relays.

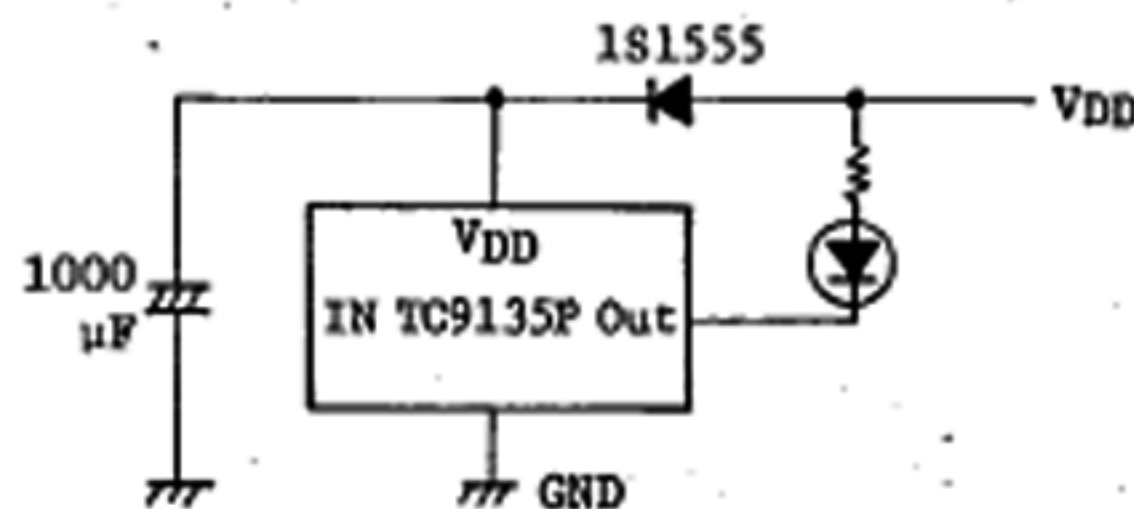


- \* Drive current should be limited to 30mA per output terminal.
- \* In the event using supply voltage is low, current capacity of output FET also drops and current up to 30mA may not be applied.  
(See the graph.)

When signal level only is required without driving LED's and relays, a load resistance must be connected between Out-VDD.

## 3. STATUS BACK-UP

Current consumption of TC9135P itself is as very small as 10 $\mu$ A, max., and VDD is operable up to 3V. Therefore, by providing a condenser to power supply, status back-up for an extended period of time is possible.

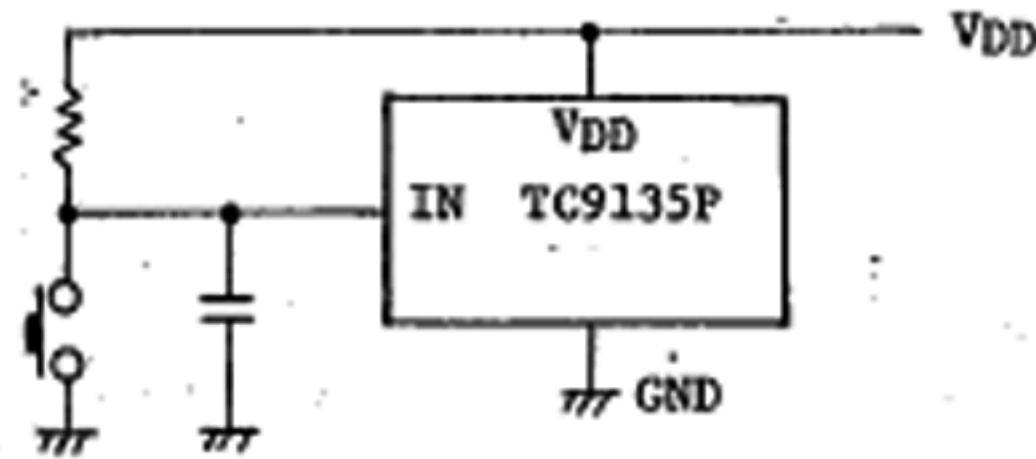

**TOSHIBA**

## TC9135P

T-65-05

## 4. INITIALIZATION AT TIME POWER IS TURNED ON

If the initialization of a specific channel is desirable at time power is turned ON, the initialization is possible by connecting a condenser of small capacity to the input to a desired channel.



AUDIO DIGITAL IC