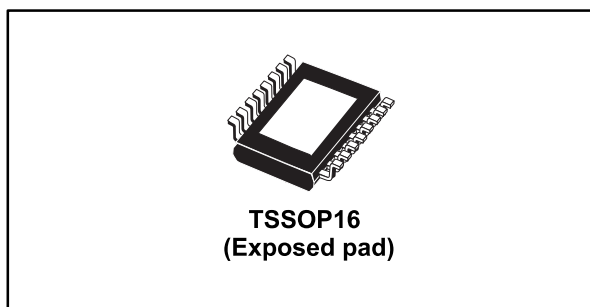


4-bit constant current power-LED sink driver

Datasheet - production data



Description

The STP04CM05 is a high-power LED driver and 4-bit shift register designed for Power-LED applications.

The STP04CM05 contains a 4-bit serial IN, parallel OUT shift register that feeds a 4-bit D-type storage register. In the output stage, four regulated current sources were designed to provide 80-400 mA constant current to drive high power LEDs.

The STP04CM05 guarantees 20 V output driving capability, allowing users to connect more LEDs in series. The high clock frequency, 30 MHz, also satisfies the system requirements which include high volume data transmission.

The STP04CM05 is well suited for very high brightness displays and special lighting applications.

The STP04CM05 is offered in TSSOP16 exposed pad packages.

Features

- 4 constant current output channels
- Adjustable output current through one external resistor
- Can be driven by a 3.3 V microcontroller
- Serial data IN/parallel data OUT
- Output current: 80-400 mA
- 20 V of output driving capability
- 30 MHz clock frequency
- UVLO (under voltage lockout) and POR (power ON reset)
- TSD, thermal shutdown, output off when junction temperature exceeds limit
- Operating free-air temperature range -40° to 125 °C
- ESD protection 2.5 kV HBM, 200 V MM
- Available in high thermal TSSOP exposed pad

Table 1: Device summary

Order code	Package	Packing
STP04CM05XTTR	TSSOP16 exposed pad (tape and reel)	2500 parts per reel

Contents

1 Internal schematic 3

2 Pin settings 4

 2.1 Pin connection..... 4

 2.2 Pin description..... 4

3 Maximum rating 5

 3.1 Thermal data..... 5

 3.2 Recommended operating conditions..... 6

4 Electrical characteristics 7

5 Equivalent circuit and outputs 9

6 Timing diagrams..... 11

7 Test circuit 14

8 Typical characteristics 15

9 Package information 17

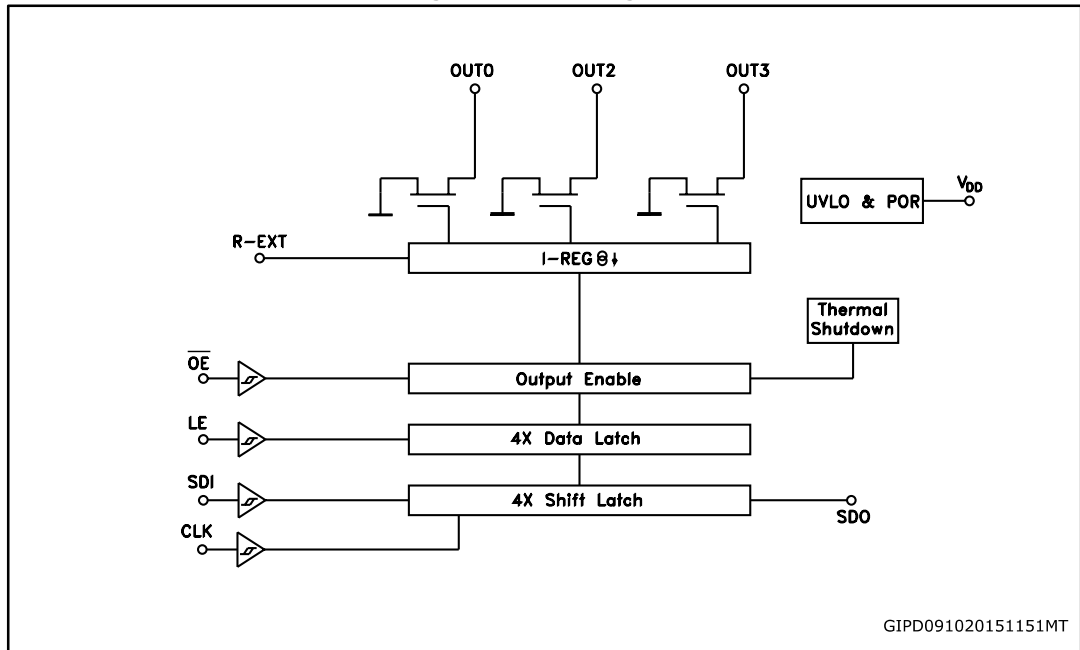
 9.1 TSSOP16 exposed pad package information 18

 9.2 TSSOP16 exposed pad packing information 20

10 Revision history 21

1 Internal schematic

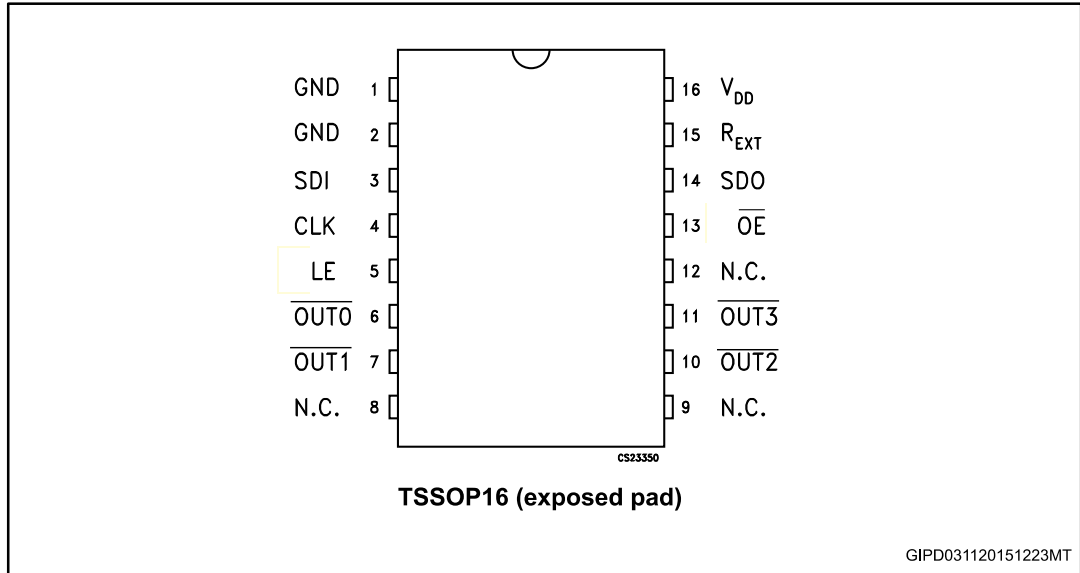
Figure 1: Block diagram



2 Pin settings

2.1 Pin connection

Figure 2: Pin connection



The exposed pad should be attached to a metal land electrically isolated or connected to ground.

2.2 Pin description

Table 2: Pin description

TSSOP16 exposed pad pin N°	Symbol	Name and function
1, 2	GND	Ground terminal
3	SDI	Serial data input terminal
4	CLK	Clock input terminal
5	LE	Latch input terminal
6	OUT 0	Output terminal
7	OUT 1	Output terminal
8, 9, 12	N.C.	Not connected
10	OUT 2	Output terminal
11	OUT 3	Output terminal
13	OE	Output enable input terminal (active low)
14	SDO	Serial data out terminal
15	R-EXT	Constant current programming
16	VDD	5 V supply voltage terminal

3 Maximum rating

Stressing the device above the rating listed in the “absolute maximum ratings” table may cause permanent damage to the device. These are stress ratings only and operation of the device at these or any other conditions above those indicated in the operating sections of this specification is not implied. Exposure to absolute maximum rating conditions for extended periods may affect device reliability.

Table 3: Absolute maximum ratings

Symbol	Parameter	Value	Unit
V _{DD}	Supply voltage	0 to 7	V
V _O	Output voltage	-0.5 to 20	V
I _O	Output current	500	mA
V _I	Input voltage	-0.4 to V _{DD} +0.4	V
I _{GND}	GND terminal current	2000	mA
f _{CLK}	Clock frequency	50	MHz
T _{OPR}	Operating temperature range	-40 to +125	°C
T _{STG}	Storage temperature range	-55 to +150	°C

3.1 Thermal data

Table 4: Thermal data

Symbol	Parameter	TSSOP16 exposed pad	Unit
R _{thJA}	Thermal resistance junction-ambient	37.5 ⁽¹⁾	°C/W

Notes:

⁽¹⁾ Using the PCB multi-layer JEDEC Standard test boards.

3.2 Recommended operating conditions

Table 5: Recommended operating conditions

Symbol	Parameter	Test condition	Min.	Typ.	Max.	Unit
V_{DD}	Supply voltage		3.3	5.0	5.5	V
V_O	Output voltage				19	V
I_O	Output current	OUTn $V_{DD} = 5\text{ V}$	80		400	mA
I_{OH}	Output current	Serial-OUT			+1	mA
I_{OL}	Output current	Serial-OUT			-1	mA
V_{IH}	Input voltage		0.7 V_{DD}		$V_{DD}+0.3$	V
V_{IL}	Input voltage		-0.3		$0.3 V_{DD}$	V
t_{WEN}	\overline{OE} pulse width	$V_{DD} = 5\text{ V}, I_O = 350\text{ mA}$	80	50		ns
		$V_{DD} = 3.3\text{ V}, I_O = 350\text{ mA}$	250	150		
t_{WLAT}	LE pulse width	$V_{DD} = 3.0\text{ to }3.6\text{ V}$	8	4		ns
t_{WCLK}	CLK pulse width		8.5	7.5		ns
$t_{SETUP(D)}$	Setup time for DATA		8.5	7.5		ns
$t_{HOLD(D)}$	Hold time for DATA		8.5	7.5		ns
$t_{SETUP(L)}$	Setup time for LATCH		8.5	7.0		ns
$t_{HOLD(E)}$	Hold time for ENABLE		8.5	7.0		ns
f_{CLK}	Clock frequency	Cascade operation ⁽¹⁾			30	MHz
T_{OPR}	Operating temperature range		-40		+125	°C

Notes:

⁽¹⁾ If multiple devices are cascaded, it may not be possible to achieve the maximum data transfer. Please consider the timing conditions carefully.

4 Electrical characteristics

$T_A = 25\text{ }^\circ\text{C}$, unless otherwise specified.

Table 6: Current accuracy

Output voltage	Current accuracy		Output current
	Between bits	Between ICs	
$\geq 1.4\text{ V}$	Typ. $\pm 1\%$	$\pm 6\%$	80 to 400 mA

Table 7: Electrical characteristics ($V_{DD} = 3.3$ to 5 V)

Symbol	Parameter	Test conditions	Min.	Typ.	Max.	Unit
V_{IH}	Input voltage high level		$0.7 V_{DD}$		V_{DD}	V
V_{IL}	Input voltage low level		GND		$0.3 V_{DD}$	V
I_{OH}	Output leakage current	$V_{OH} = 19\text{ V}$			10	μA
V_{OL}	Output voltage (serial-OUT)	$I_{OL} = 1\text{ mA}$			0.4	V
V_{OH}	Output voltage (serial-OUT)	$I_{OH} = -1\text{ mA}$	$V_{DD} - 0.4\text{ V}$			V
I_{OL1}	Output current	$V_O = 0.3 V_{REXT} = 980\ \Omega$	75.2	80	84.8	mA
I_{OL2}		$V_O = 1.2 V_{REXT} = 190\ \text{k}\Omega$	376	400	424	mA
ΔI_{OL1}	Output current error between bit (all output ON)	$V_O = 0.3 V_{REXT} = 980\ \Omega$ $I_O = 80\text{ mA}$		1	1.5	%
ΔI_{OL2}		$V_O = 1.2 V_{REXT} = 190\ \Omega$ $I_O = 400\text{ mA}$		1	1.5	%
$R_{SIN(up)}$	Pull-up resistor		150	300	600	$\text{k}\Omega$
$R_{SIN(down)}$	Pull-down resistor		100	200	400	$\text{k}\Omega$
$I_{DD(OFF1)}$	Supply current (OFF)	$R_{EXT} = \text{OPEN OUT } 0 \text{ to } 3 = \text{OFF}$		1	1.5	mA
$I_{DD(OFF2)}$		$R_{EXT} = 980\ \Omega \text{ OUT } 0 \text{ to } 3 = \text{OFF}$		3.8	6	
$I_{DD(OFF3)}$		$R_{EXT} = 190\ \Omega \text{ OUT } 0 \text{ to } 3 = \text{OFF}$		14	18.5	
$I_{DD(ON1)}$	Supply current (ON)	$R_{EXT} = 980\ \Omega \text{ OUT } 0 \text{ to } 3 = \text{ON}$		4.0	6.0	mA
$I_{DD(ON2)}$		$R_{EXT} = 190\ \Omega \text{ OUT } 0 \text{ to } 3 = \text{ON}$		14.5	19	

Table 8: Switching characteristics ($V_{DD} = 3.3$ to 5 V)

Symbol	Parameter	Test conditions	Min.	Typ.	Max.	Unit
t_{PLH1}	Propagation delay time, CLK- \overline{OUTn} LE = H, $\overline{OE} = L$	$V_{DD} = 3.3$ V	-	290	377	
		$V_{DD} = 5$ V	-	200	260	ns
t_{PLH2}	Propagation delay time, LE- \overline{OUTn} , $\overline{OE} = L$	$V_{DD} = 3.3$ V	-	200	260	
		$V_{DD} = 5$ V	-	140	180	ns
t_{PLH3}	Propagation delay time, $\overline{OE} - \overline{OUTn}$, LE = H	$V_{DD} = 3.3$ V	-	240	310	ns
		$V_{DD} = 5$ V	-	170	220	
t_{PLH}	Propagation delay time, CLK-SDO	$V_{DD} = 3.3$ V	-	25	35	
		$V_{DD} = 5$ V	-	15	20	ns
t_{PHL1}	Propagation delay time, CLK- \overline{OUTn} LE = H, $\overline{OE} = L$	$V_{DD} = 3.3$ V	-	49	64	
		$V_{DD} = 5$ V	-	36	47	ns
t_{PHL2}	Propagation delay time, $\overline{LE} - \overline{OUTn}$, $\overline{OE} = L$	$V_{DD} = 3.3$ V	-	39	51	
		$V_{DD} = 5$ V	-	26	34	ns
t_{PHL3}	Propagation delay time, $\overline{OE} - \overline{OUTn}$ LE = H	$V_{DD} = 3.3$ V	-	48	62	ns
		$V_{DD} = 5$ V	-	32	42	
t_{PHL}	Propagation delay time, CLK-SDO	$V_{DD} = 3.3$ V	-	30	39	
		$V_{DD} = 5$ V	-	19	25	ns
t_{ON}	Output rise time 10~90% of voltage waveform	$V_{DD} = 3.3$ V	-	880	1150	
		$V_{DD} = 5$ V	-	616	800	ns
t_{OFF}	Output fall time 90~10% of voltage waveform	$V_{DD} = 3.3$ V	-	18	24	
		$V_{DD} = 5$ V	-	14	18	ns
t_r	CLK rise time ⁽¹⁾	$V_O = 5.0$ V $R_{EXT} = 224 \Omega$	-		5000	ns
t_f	CLK fall time ⁽¹⁾		-		5000	ns

Notes:

⁽¹⁾ In order to achieve high cascade data transfer, please consider t_r/t_f timings carefully.

5 Equivalent circuit and outputs

Figure 3: OE terminal

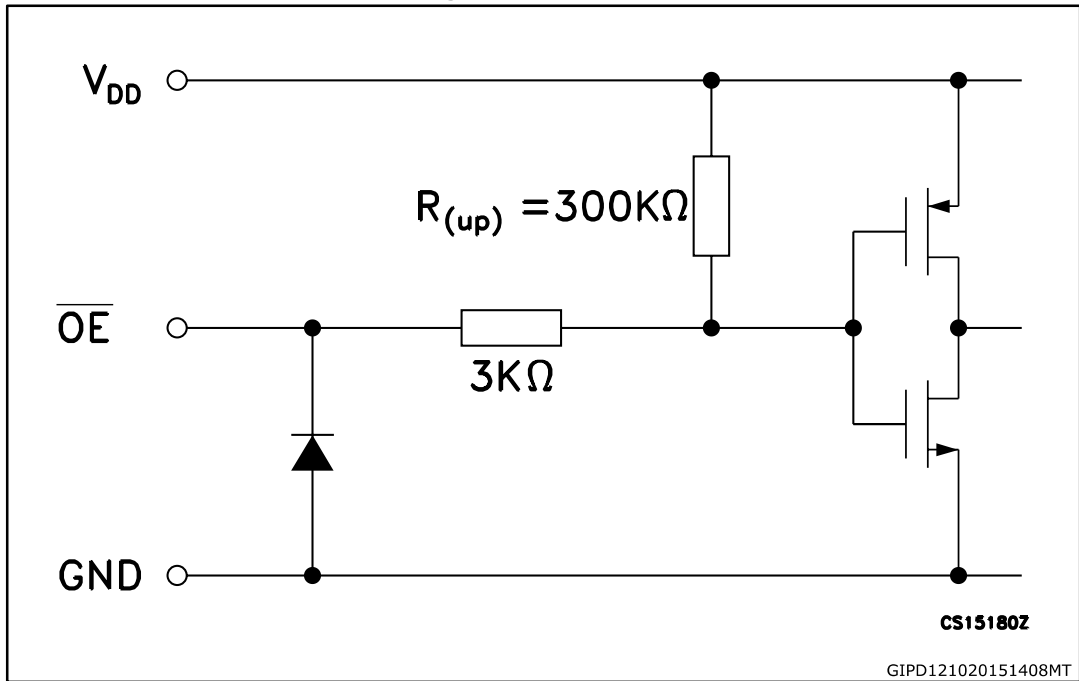


Figure 4: LE terminal

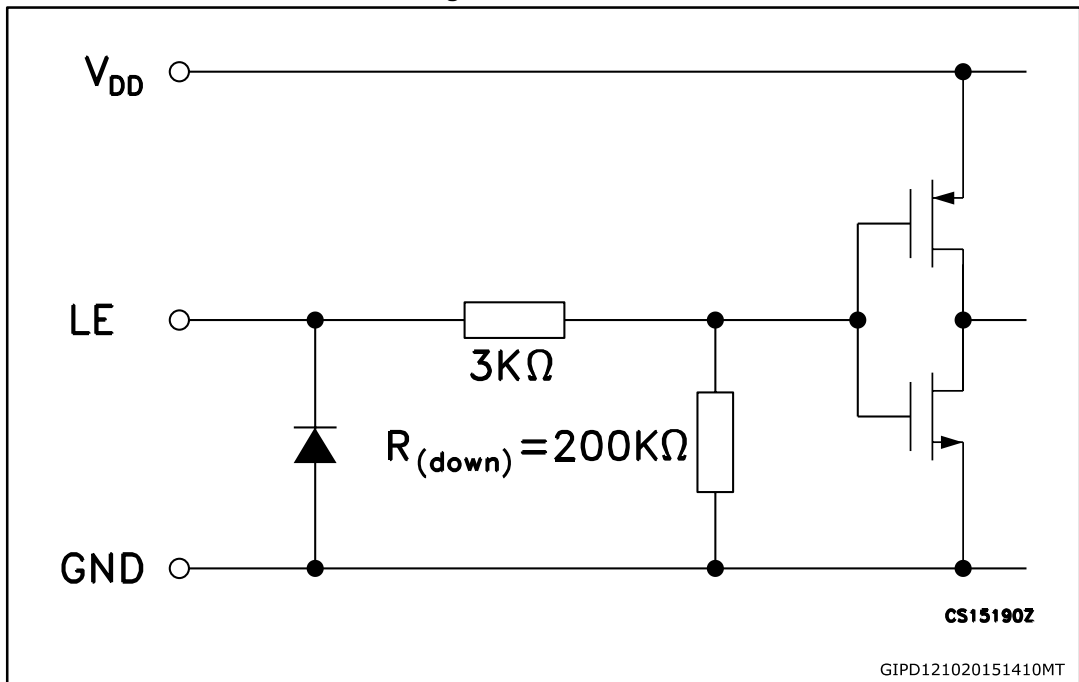


Figure 5: CLK, SDI terminal

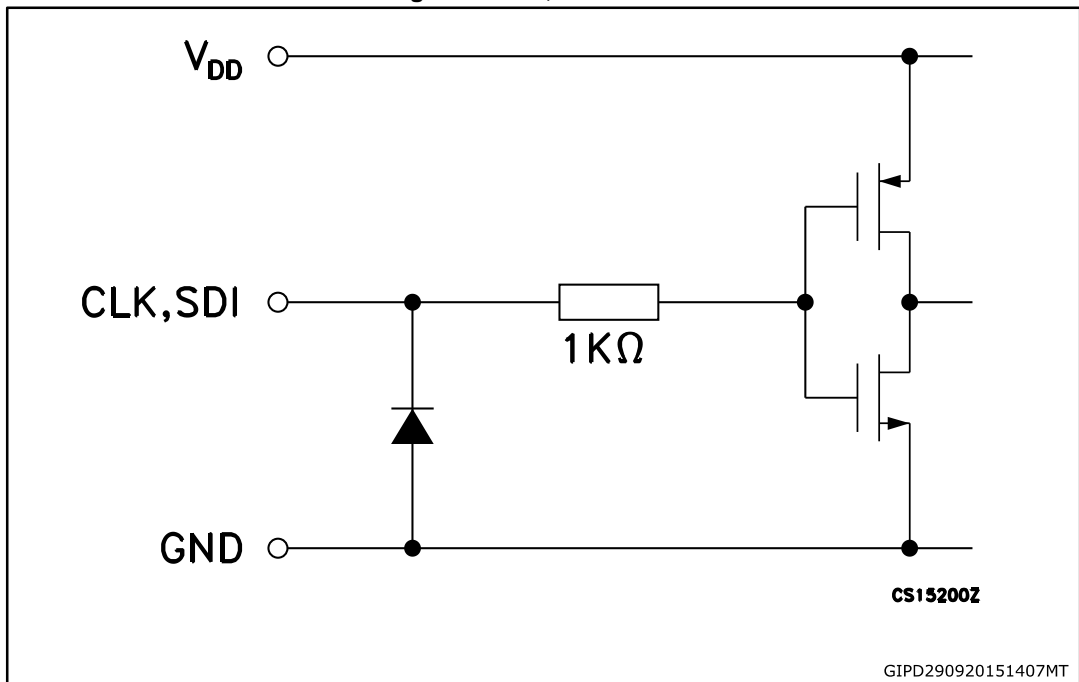
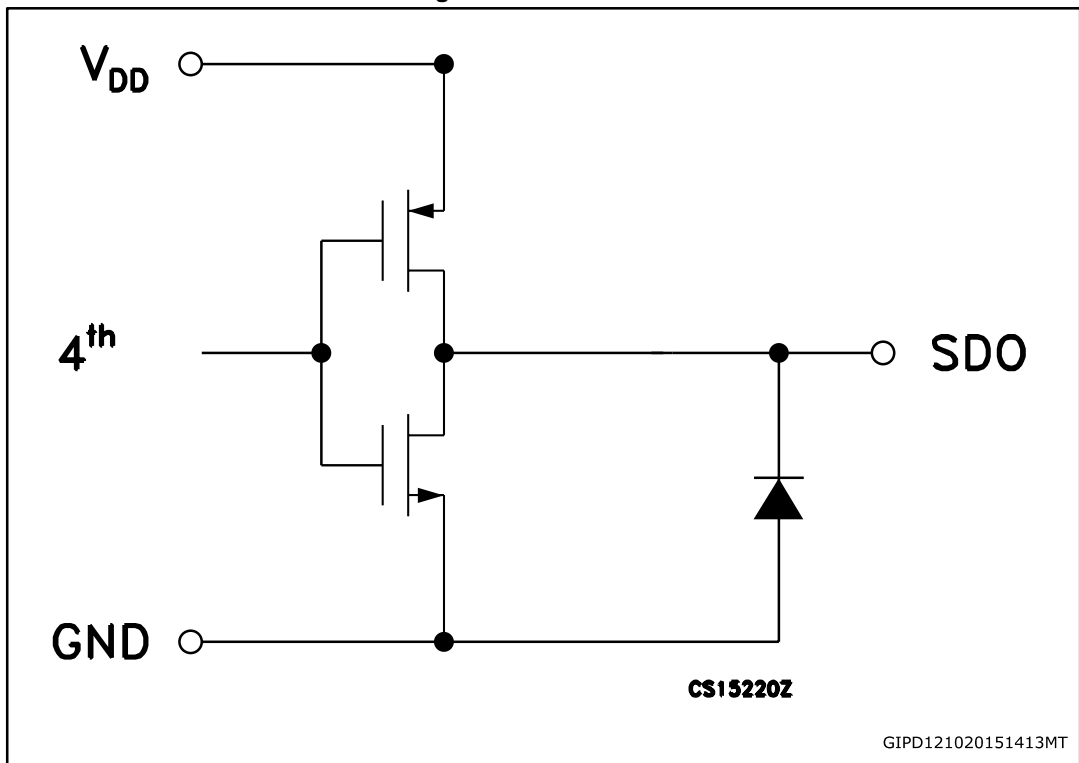
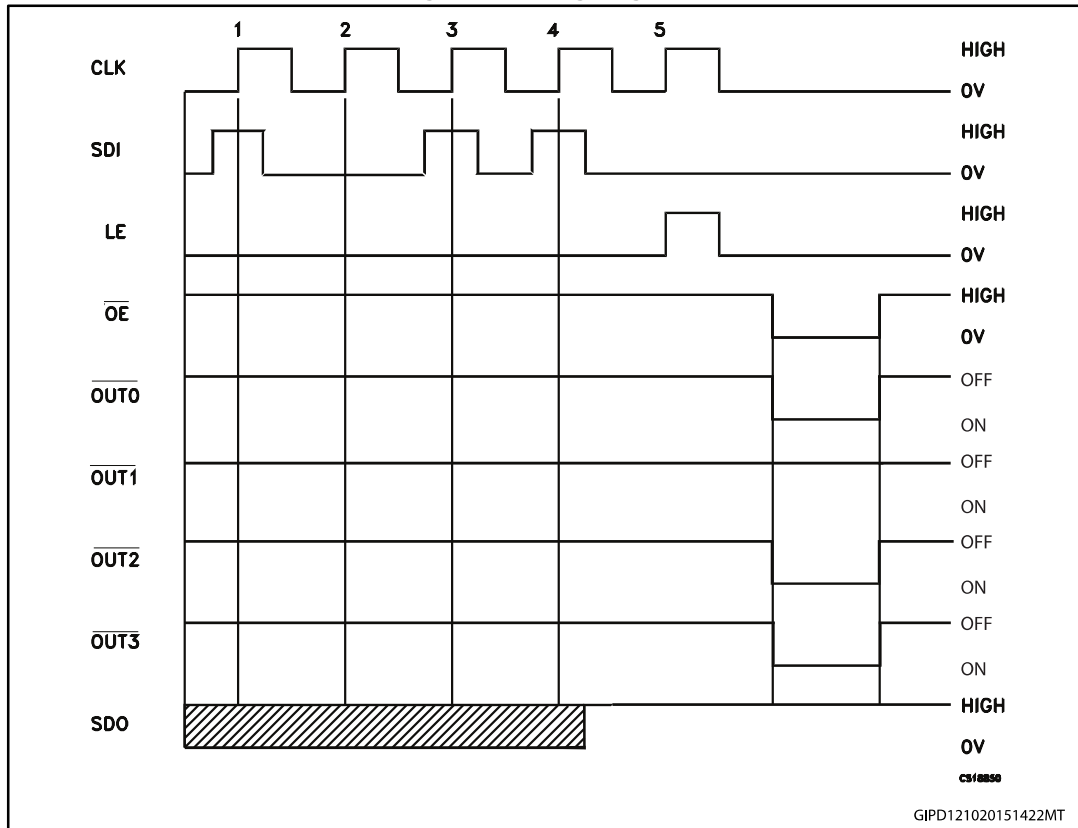


Figure 6: SDO terminal



6 Timing diagrams

Figure 7: Timing diagram



1 Latch and output enable are level sensitive and are not synchronized with rising- or-falling edge of CLK signal.

2 When LE terminal is low level, the latch circuit hold previous set of data.

3 When LE terminal is high level, the latch circuit refresh new set of data from SDI chain.

4 When OE terminal is at low level, the output terminal - Out 0 to Out 03 respond to data in the latch circuits, either '1' for ON or '0' for OFF.

5 When OE terminal is at high level, all output terminals will be switched OFF.

Figure 8: Clock, serial-in, serial-out

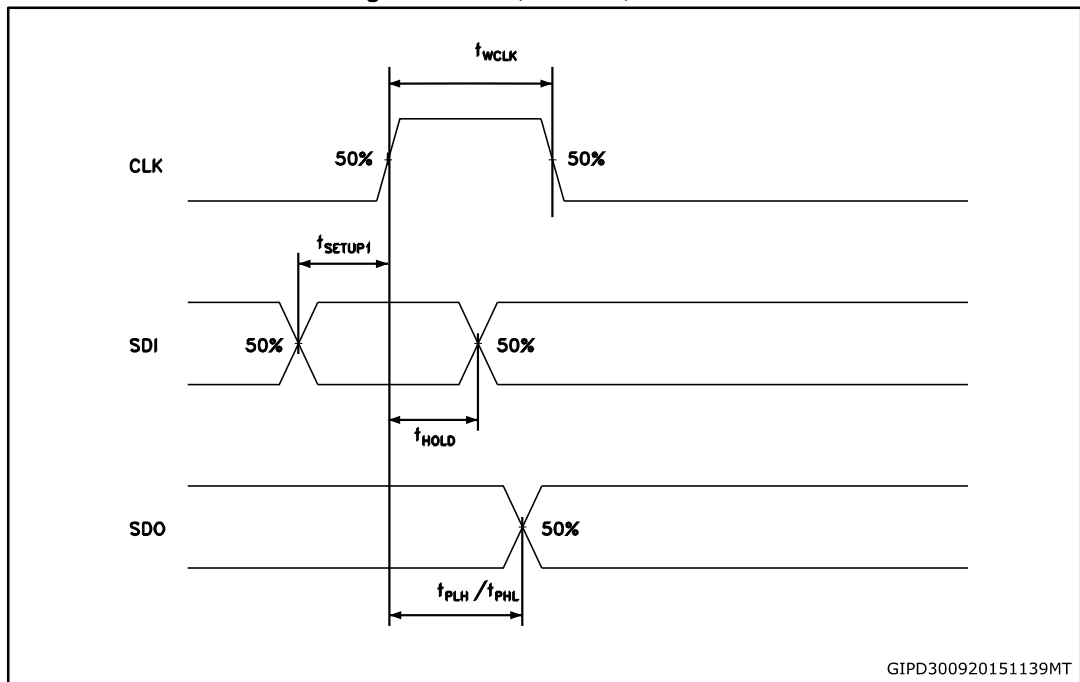


Figure 9: Clock, serial-in, latch, enable, outputs

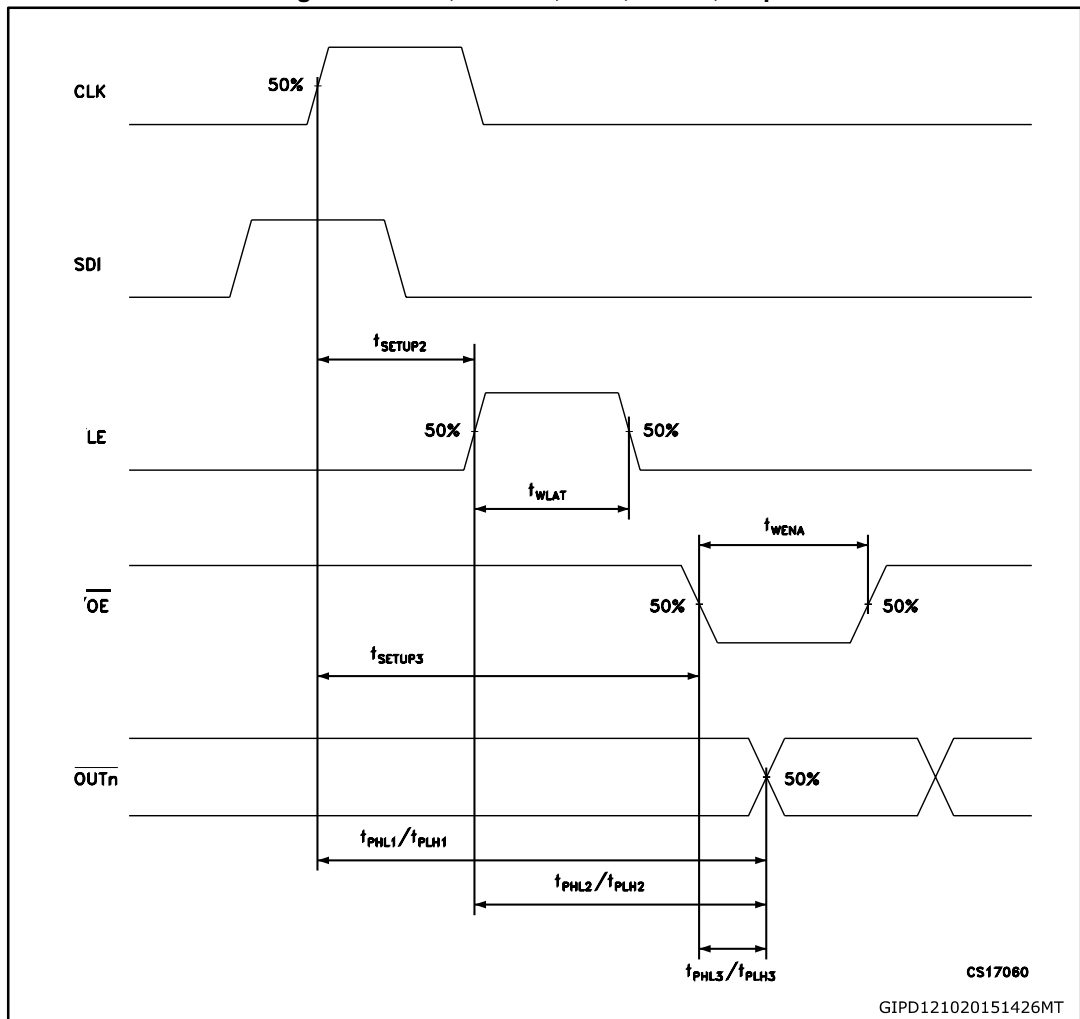
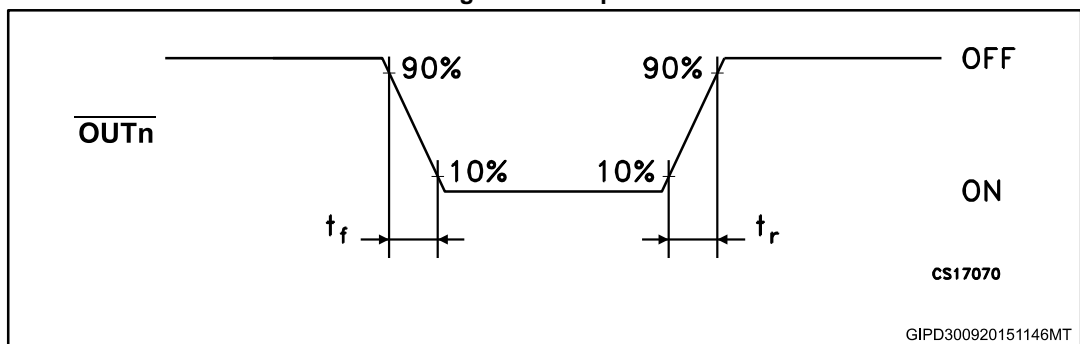


Figure 10: Outputs



7 Test circuit

Figure 11: DC characteristic

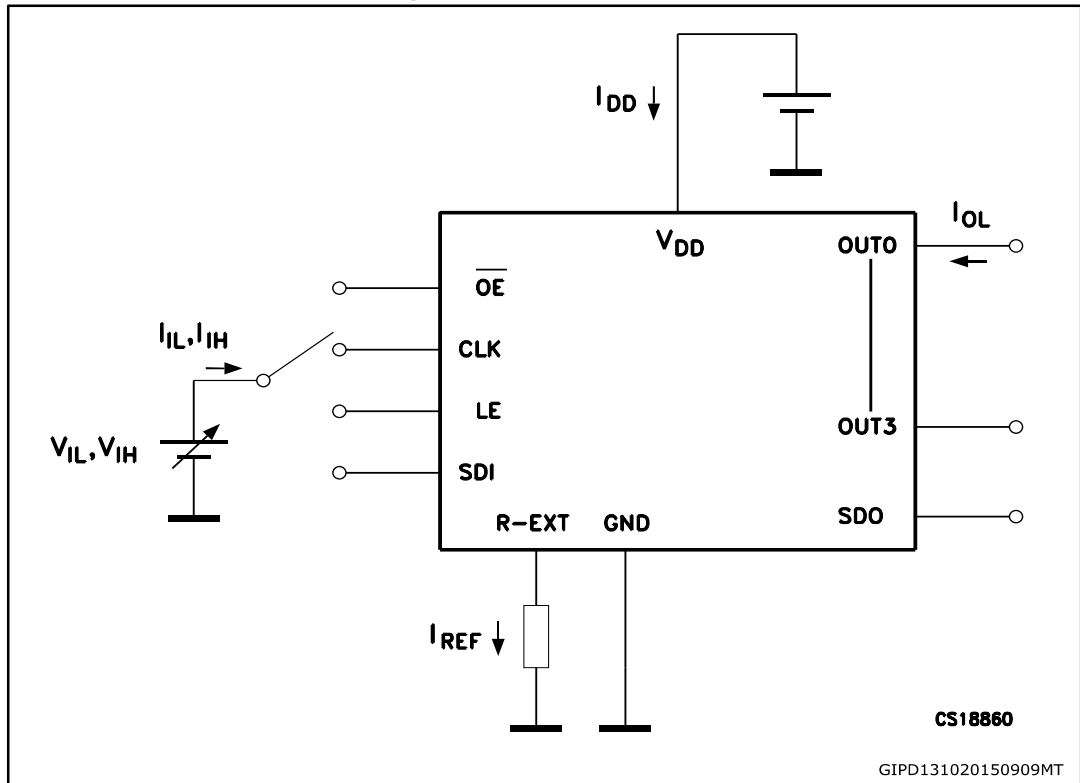
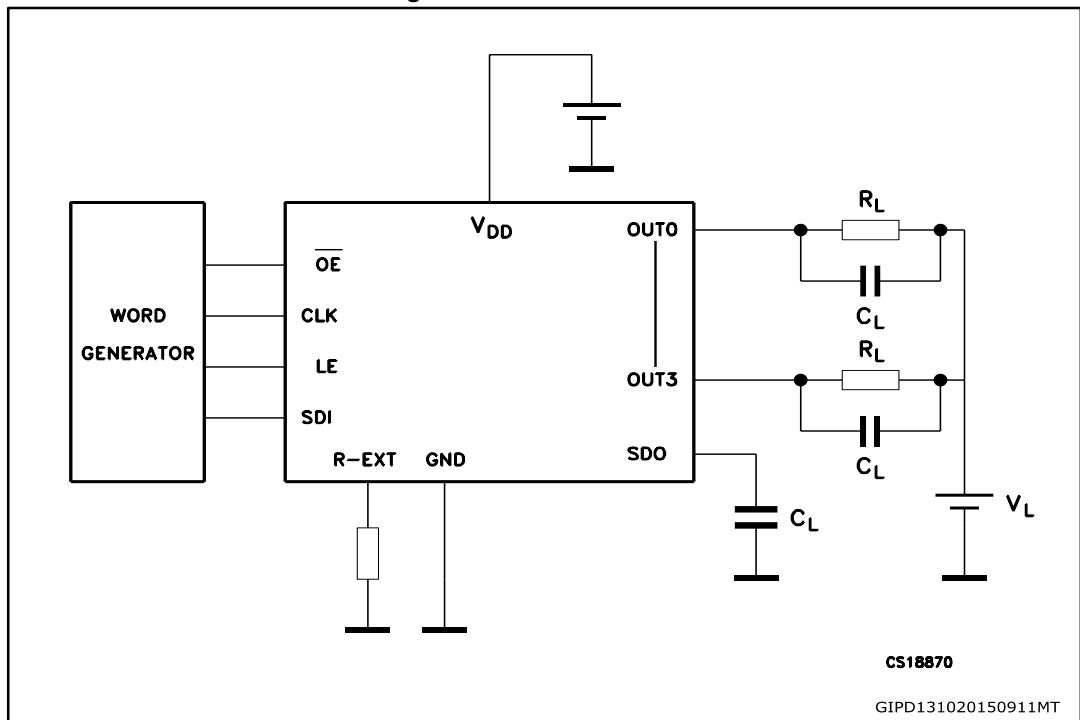
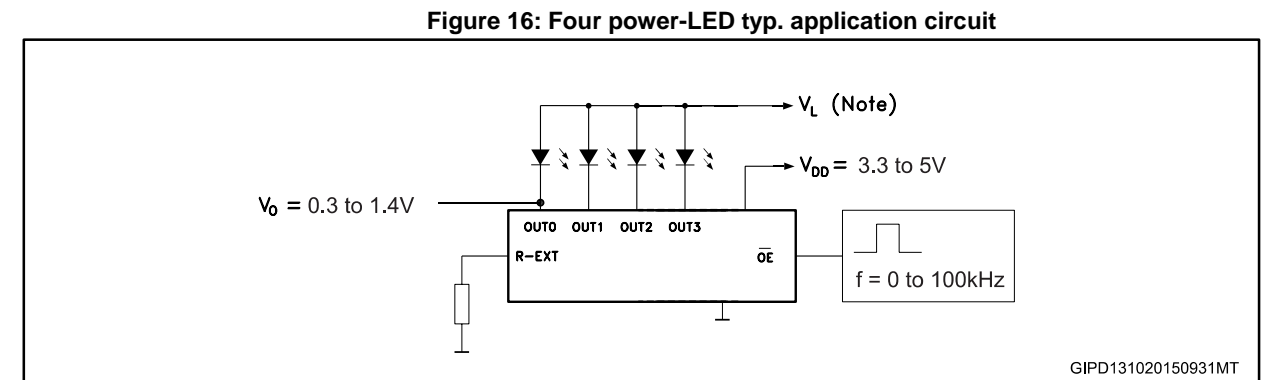
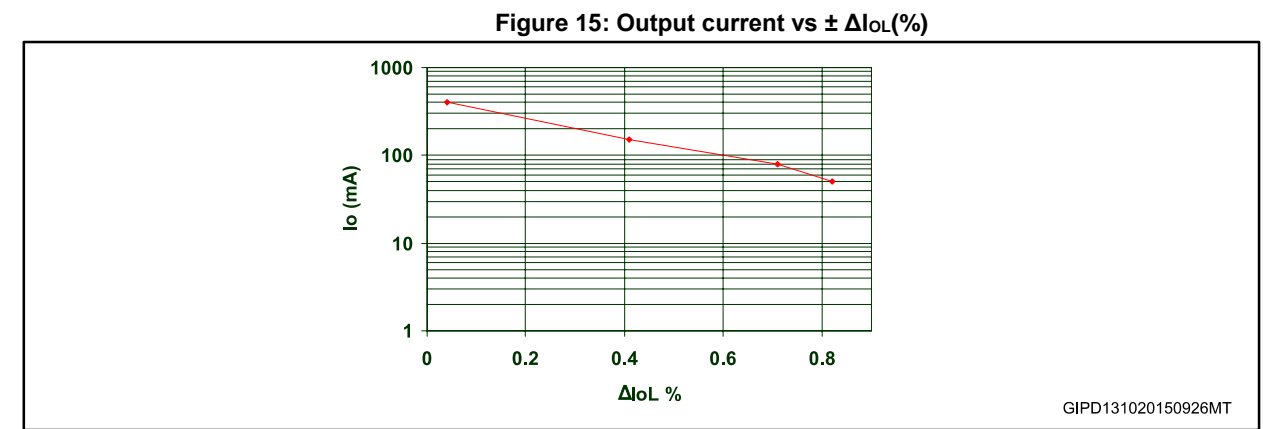
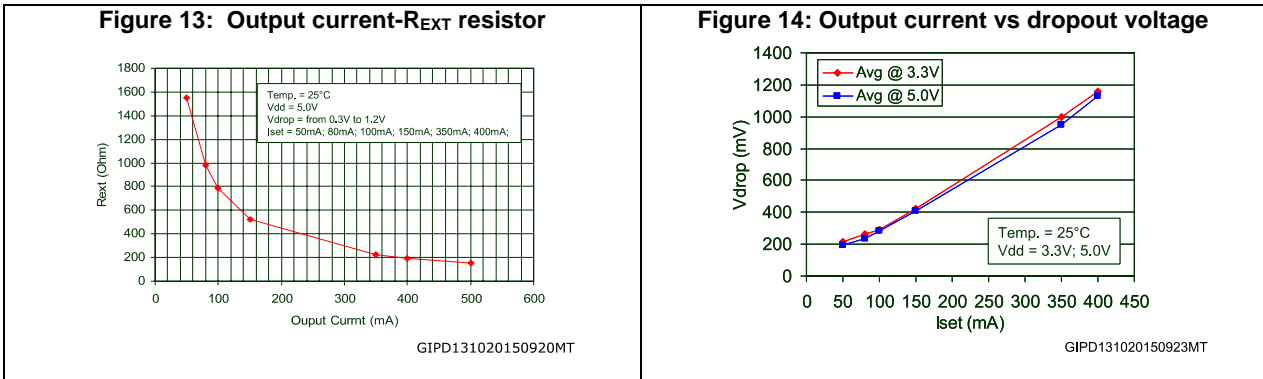


Figure 12: AC characteristic



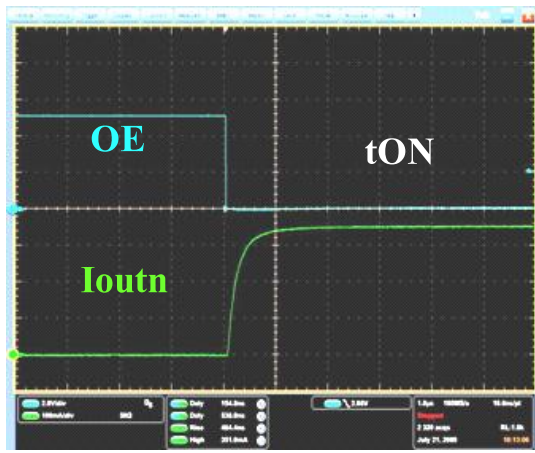
8 Typical characteristics



V_L will be determined by the V_F of the LEDs.

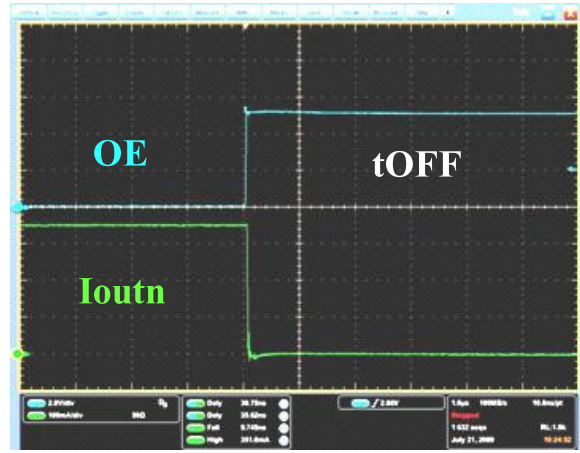
Condition: $T_A = 25\text{ }^\circ\text{C}$, $V_{dd} = 5\text{ V}$, $V_L = 3\text{ V}$, $R_{ext} = 227\text{ }\Omega$.

Figure 17: tON



GIPD131020150937MT

Figure 18: tOFF



GIPD131020150938MT

9 Package information

In order to meet environmental requirements, ST offers these devices in different grades of ECOPACK® packages, depending on their level of environmental compliance. ECOPACK® specifications, grade definitions and product status are available at: www.st.com. ECOPACK® is an ST trademark.

9.1 TSSOP16 exposed pad package information

Figure 19: TSSOP16 exposed pad package outline

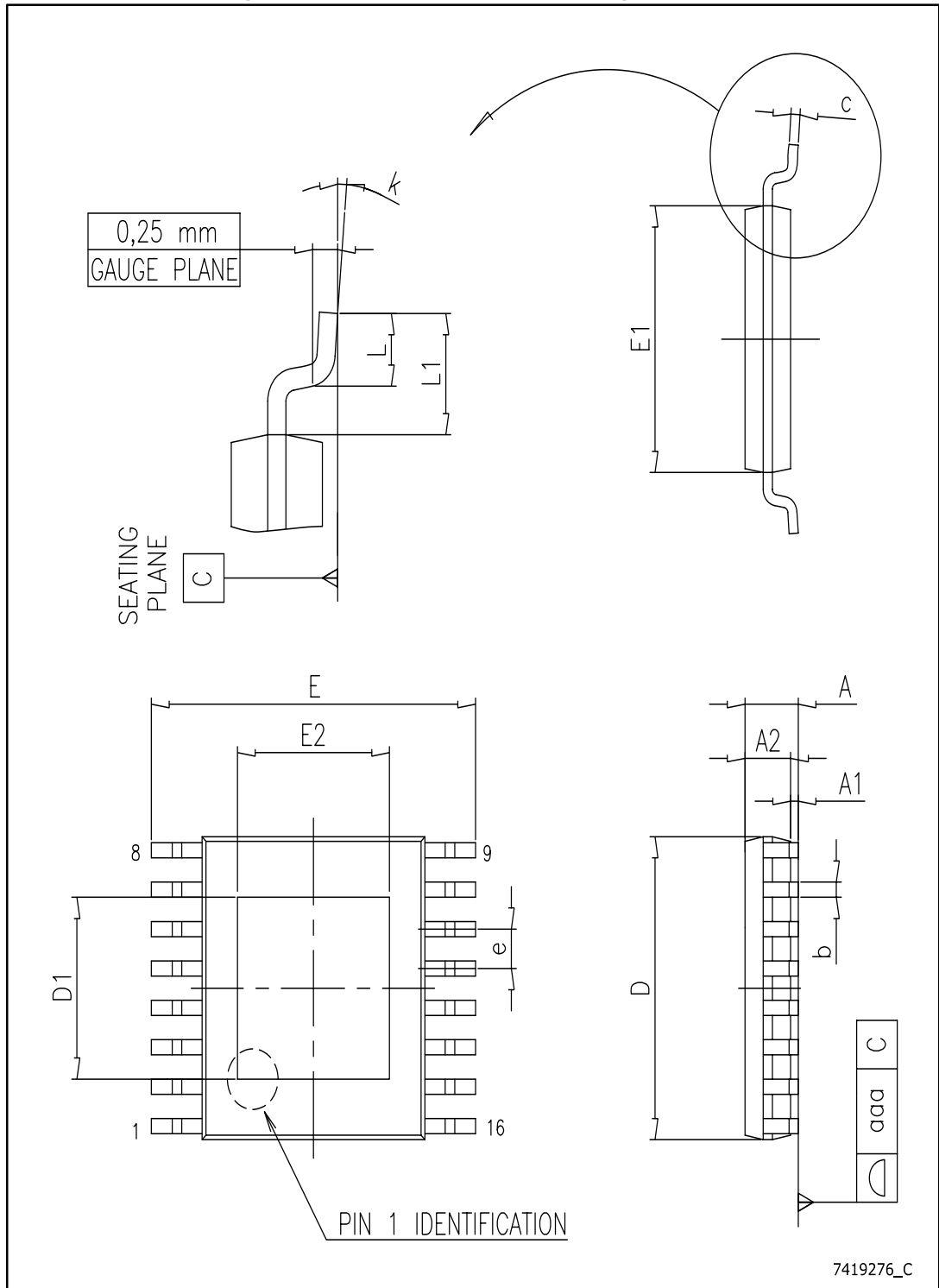


Table 9: TSSOP16 exposed pad package mechanical data

Dim.	mm		
	Min.	Typ.	Max.
A			1.10
A1	0.05		0.15
A2	0.85	0.90	0.95
b	0.19		0.30
c	0.09		0.20
D		5.00	
D1	ACCORDING TO PAD SIZE		
E		6.40	
E1	4.30	4.40	4.50
E2	ACCORDING TO PAD SIZE		
e		0.65	
L	0.50	0.60	0.70
L1		1.00	
k			8
aaa			0.076

9.2 TSSOP16 exposed pad packing information

Figure 20: TSSOP16 exposed pad tape and reel outline

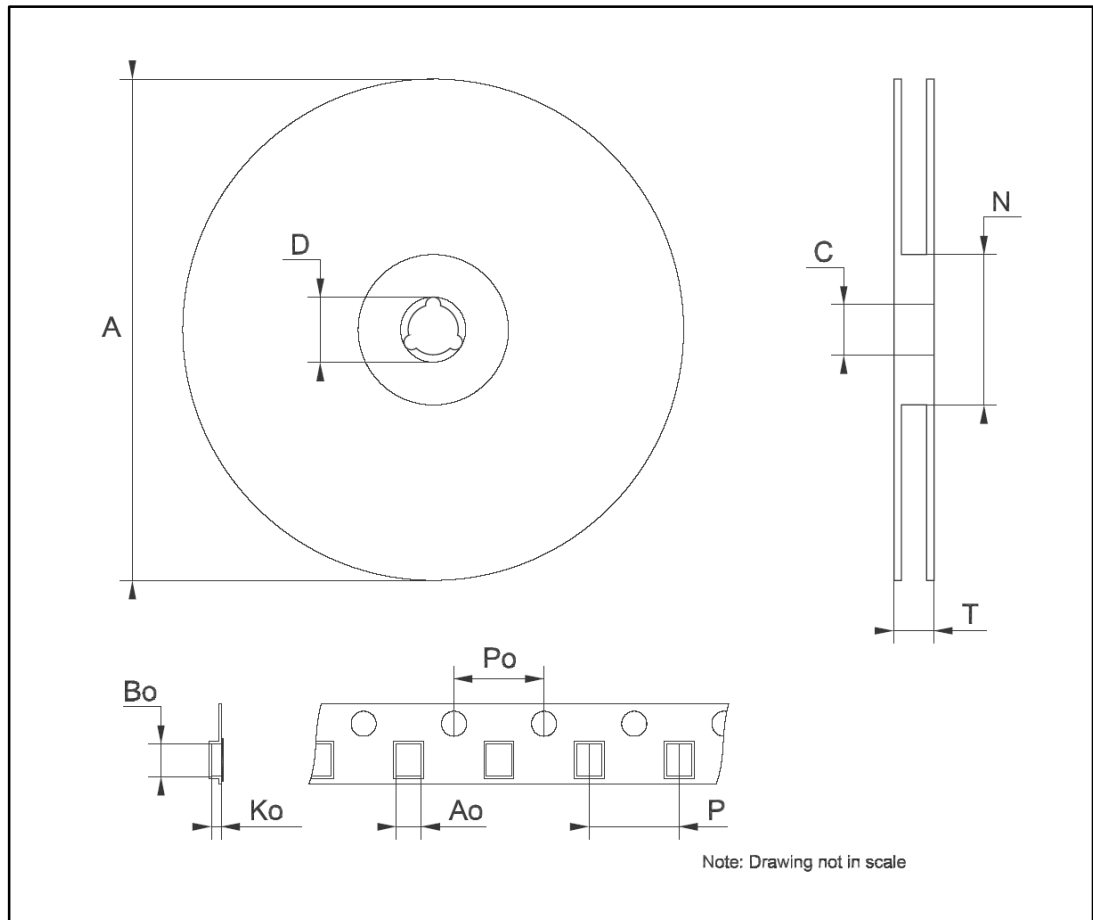


Table 10: TSSOP16 exposed pad packing mechanical data

Dim.	mm			inch		
	Min.	Typ.	Max.	Min.	Typ.	Max.
A			330			12.992
C	12.8		13.2	0.504		0.519
D	20.2			0.795		
N	60			2.362		
T			22.4			0.882
Ao	6.7		6.9	0.264		0.272
Bo	5.3		5.5	0.209		0.217
Ko	1.6		1.8	0.063		0.071
Po	3.9		4.1	0.153		0.161
P	7.9		8.1	0.311		0.319

10 Revision history

Table 11: Document revision history

Date	Revision	Changes
26-Nov-2007	1	Initial release
16-Jan-2008	2	Added: Figure 15 on page 15 and Figure 19 on page 17, Updated: Table 8 on page 8.
12-Mar-2008	3	Updated: Figure 8 on page 12.
23-Jun-2008	4	Updated: Table 1 on page 1, Figure 21 on page 20.
07-Jun-2010	5	Updated: Note: on page 4, Table 10 on page 19.
07-Jan-2016	6	Removed SO-14 package. Updated Figure 5: "CLK, SDI terminal" . Minor text changes.

IMPORTANT NOTICE – PLEASE READ CAREFULLY

STMicroelectronics NV and its subsidiaries ("ST") reserve the right to make changes, corrections, enhancements, modifications, and improvements to ST products and/or to this document at any time without notice. Purchasers should obtain the latest relevant information on ST products before placing orders. ST products are sold pursuant to ST's terms and conditions of sale in place at the time of order acknowledgement.

Purchasers are solely responsible for the choice, selection, and use of ST products and ST assumes no liability for application assistance or the design of Purchasers' products.

No license, express or implied, to any intellectual property right is granted by ST herein.

Resale of ST products with provisions different from the information set forth herein shall void any warranty granted by ST for such product.

ST and the ST logo are trademarks of ST. All other product or service names are the property of their respective owners.

Information in this document supersedes and replaces information previously supplied in any prior versions of this document.

© 2016 STMicroelectronics – All rights reserved