

3-Pin Microprocessor Reset Circuit

Description

The V6309 and V6319 are microprocessor supervisory circuits used to monitor the power supplies in μP and digital systems. They provide excellent circuit reliability and low cost by eliminating external components and adjustments when used with 5V powered or 3V powered circuits.

These circuits perform a single function: they assert a reset signal whenever the V_{DD} supply voltage declines below a preset threshold, keeping it asserted for at least 140ms after V_{DD} has risen above the reset threshold. The only difference between the two devices is that the V6309 has an active-low $\overline{\text{RESET}}$ output (which is guaranteed to be in the correct state for V_{DD} down to 1V), while the V6319 has an active-high RESET output. The reset comparator is designed to ignore fast transients on V_{DD} . Reset thresholds suitable for operation with a variety of supply voltages are available.

Low supply current makes the V6309/V6319 ideal for use in portable equipment. The V6309/V6319 come in a 3-pin SOT23 package.

Features

- Precision monitoring of 3V, 3.3V and 5V power supply voltages
- Fully specified over the temperature range of -40 to $+125^\circ\text{C}$
- 140ms minimum power-on reset pulse width:
RESET output for V6309
RESET output for V6319
- 16 μA supply current
- Guaranteed $\overline{\text{RESET}}/\text{RESET}$ valid to $V_{DD} = 1\text{V}$
- Power supply transient immunity
- No external components needed
- 3-pin SOT23 package
- Fully compatible with MAX809/MAX810

Applications

- Computer
- Controllers
- Intelligent instruments
- Critical μP and μC power monitoring
- Portable/battery-powered equipment

Typical Operating Configuration

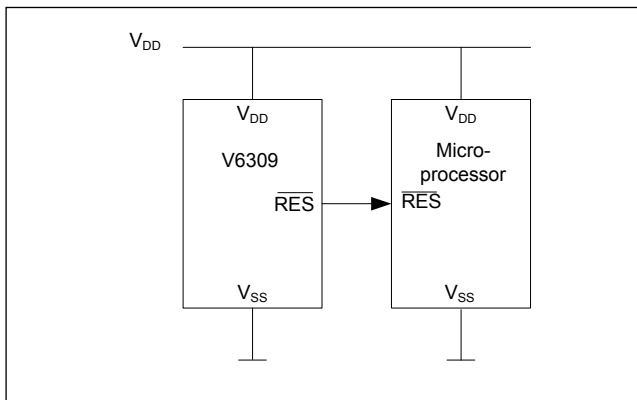


Fig. 1

Pin Assignment

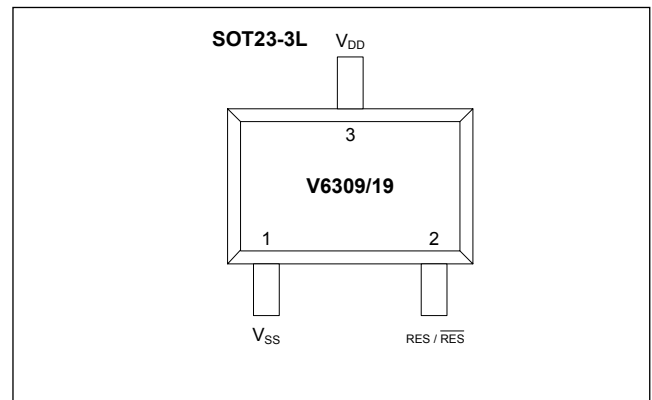


Fig. 2

Pin Description

Pin	Name	Function
1	V_{SS}	Ground
2	for V6309 $\overline{\text{RESET}}$	$\overline{\text{RESET}}$ Output remains low while V_{DD} is below the reset threshold and rises for 240ms after V_{DD} above the reset threshold
2	for V6319 RESET	RESET Output remains high while V_{DD} is below the reset threshold and rises for 240ms after V_{DD} above the reset threshold
3	VDD	Supply voltage (+5V, +3.3V or +3.0V)

Table 1



Absolute Maximum Ratings

Parameter	Symbol	Conditions
Terminal voltage to V_{SS}	V_{DD}	-0.3V to + 6.0V
Min. voltage at RESET or RESET	V_{min}	-0.3V
Maximum voltage at RESET or RESET	V_{max}	$V_{CC} + 0.3V$
Input current at V_{DD}	I_{min}	20 mA
Output current at RESET or RESET	I_{max}	20 mA
Rate of rise at V_{DD}	t_R	100V μ s
Continuous power dissipation at $T_A = +70^\circ\text{C}$ for SOT-23 (>70 $^\circ\text{C}$ derate by 4 mW/ $^\circ\text{C}$)	P_{max}	320 mW
Operating temperature range	T_A	-40 to +125 $^\circ\text{C}$
Storage temperature range	T_{ST}	-65 $^\circ\text{C}$ to +150 $^\circ\text{C}$

Table 2

Stresses above these listed maximum ratings may cause permanent damages to the device. Exposure beyond specified operating conditions may affect device reliability or cause malfunction.

Handling Procedures

This device has built-in protection against high static voltages or electric fields; however, it is advised that normal precautions be taken as for any other CMOS component. Unless otherwise specified, proper operation can only occur when all terminal voltages are kept within the voltage range.

Electrical Characteristics

V_{DD} = full range, T_A = -40 to +125 $^\circ\text{C}$, unless otherwise specified, typical values at $T_A = +25^\circ\text{C}$, $V_{DD} = 5V$ for versions L and M, $V_{DD} = 3.3V$ for versions T and S, $V_{DD} = 3V$ for R. (Production testing done at $T_A = +25^\circ\text{C}$ and 85 $^\circ\text{C}$, over temperature limits guaranteed by design only)

Parameter	Symbol	Test Conditions	Min.	Typ.	Max.	Unit
V_{DD} range	V_{DD}	$T_A = 0$ to +70 $^\circ\text{C}$ $T_A = -40$ to +105 $^\circ\text{C}$ $T_A = -40$ to +125 $^\circ\text{C}$	1.0 1.2 1.6		5.5 5.5 5.5	V V V
Supply current versions L, M versions R, S, T	I_{CC}	$V_{DD} < 5.5V$ $V_{DD} < 3.6V$		26 16	60 50	μA μA
RESET threshold ¹⁾ version L	V_{TH}	$T_A = +25^\circ\text{C}$ $T_A = -40$ to +125 $^\circ\text{C}$	4.56 4.40	4.63	4.70 4.79	V V
version M		$T_A = +25^\circ\text{C}$ $T_A = -40$ to +125 $^\circ\text{C}$	4.31 4.16	4.38	4.45 4.53	V V
version T		$T_A = +25^\circ\text{C}$ $T_A = -40$ to +125 $^\circ\text{C}$	3.04 2.92	3.08	3.11 3.17	V V
version S		$T_A = +25^\circ\text{C}$ $T_A = -40$ to +125 $^\circ\text{C}$	2.89 2.78	2.93	2.96 3.02	V V
version R		$T_A = +25^\circ\text{C}$ $T_A = -40$ to +125 $^\circ\text{C}$	2.59 2.50	2.63	2.66 2.72	V V
Reset threshold temp. coefficient				-200		ppm/ $^\circ\text{C}$
V_{DD} to reset delay ¹⁾		$V_{DD} = V_{TH}$ to ($V_{TH} - 100\text{mV}$)		7		μs
Reset active timeout period		$T_A = -40$ to +125 $^\circ\text{C}$	140	330	590	ms
RESET output voltage low for V6309 versions R, S, T versions L, M	V_{OL}	$V_{DD} > 1.0V$, $I_{SINK} = 50\mu\text{A}$ $V_{DD} = V_{TH}$ min., $I_{SINK} = 1.2\text{mA}$ $V_{DD} = V_{TH}$ min., $I_{SINK} = 3.2\text{mA}$			0.3 0.3 0.4	V V V
RESET output voltage high for V6309 versions R, S, T versions L, M	V_{OH}	$V_{DD} = V_{TH}$ max., $I_{SOURCE} = 500\mu\text{A}$ $V_{DD} = V_{TH}$ max., $I_{SOURCE} = 800\mu\text{A}$	0.8 V_{DD} $V_{DD}-1.5V$			V V
RESET output voltage low for V6319 versions R, S, T versions L, M	V_{OL}	$V_{DD} = V_{TH}$ max., $I_{SINK} = 1.2\text{mA}$ $V_{DD} = V_{TH}$ max., $I_{SINK} = 3.2\text{mA}$			0.3 0.4	V V
RESET output voltage high for V6319	V_{OH}	$1.8V < V_{DD} < V_{TH}$ min., $I_{SOURCE} = 150\mu\text{A}$	0.8 V_{DD}			V

Table 3

¹⁾ RESET output for V6309, RESET output for V6319

Supply Current vs Temperature

No load, V63xxR/S/T

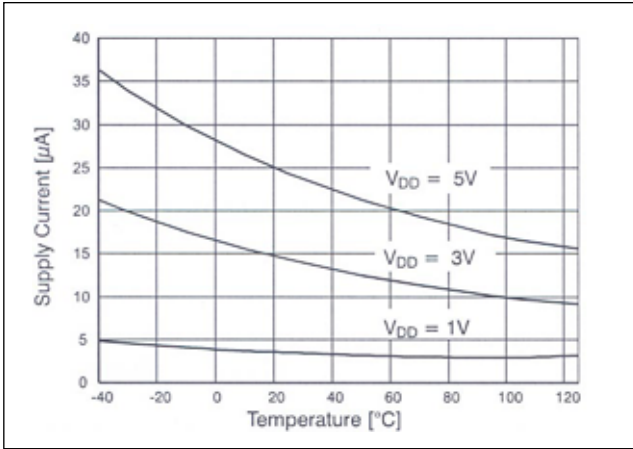


Fig. 3

Power-Down Reset Delay vs Temperature

V63xxR/S/T

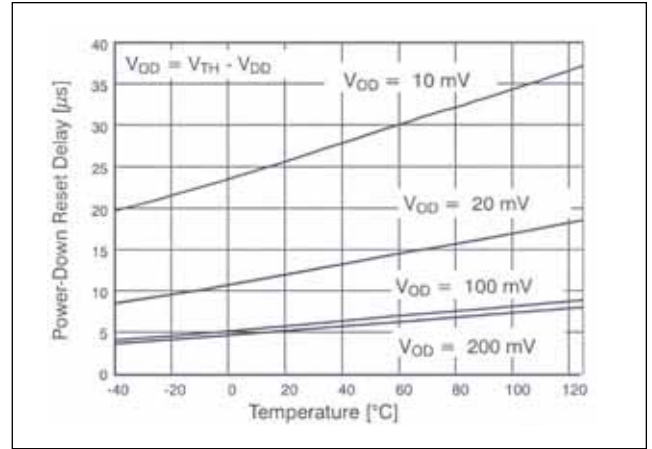


Fig. 6

Supply Current vs Temperature

No load, V63xxL/M

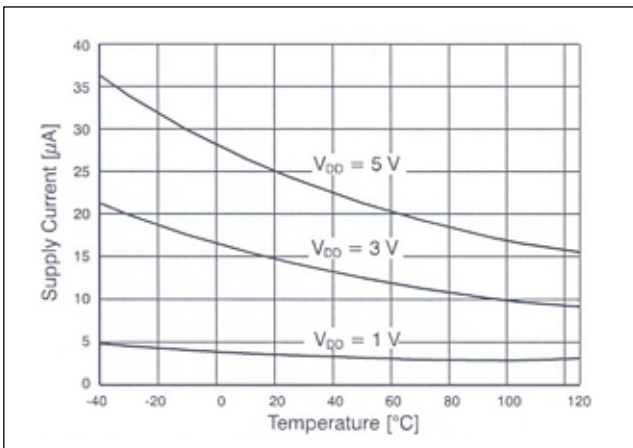


Fig. 4

Power-Down Reset Delay vs Temperature

V63xxL/M

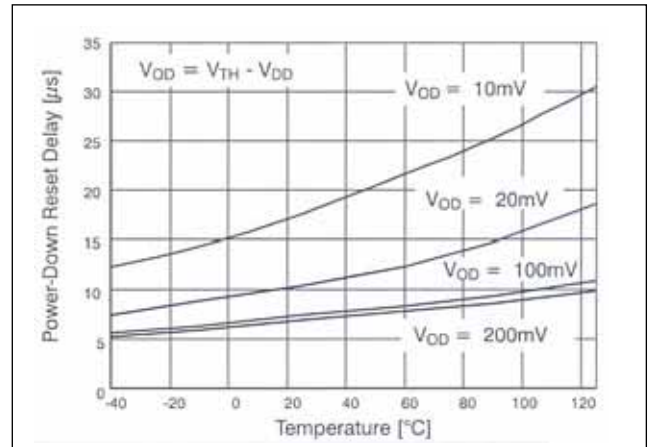


Fig. 7

Power-Up Reset Timeout vs Temperature

All versions

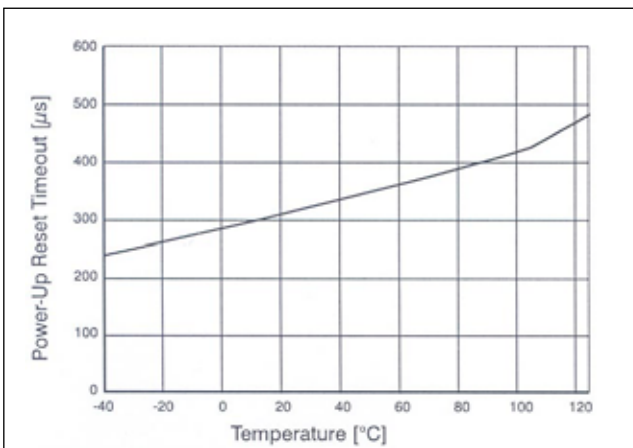


Fig. 5

Normalized Reset Threshold vs Temperature

All versions

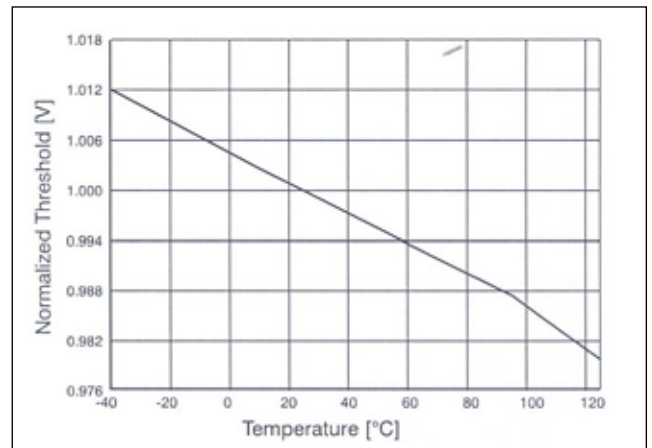


Fig. 8

Application Information

Negative-Going V_{DD} Transients

In addition to issuing a reset to the microprocessor during power-up, power-down and brownout conditions, the V6309/V6319 are relatively immune to short duration negative-going V_{DD} transients (glitches). Fig. 8 shows typical transient duration vs. Reset comparator overdrive, for which the V6309/V6319 do not generate a reset pulse. The graph was generated using a negative-going pulse applied to V_{DD} , starting 0.5V above the actual reset threshold and ending below it by the magnitude indicated (reset comparator overdrive). The graph indicates the maximum pulse width a negative-going V_{DD} transient can have without causing a reset pulse. As the magnitude of the transient increases (goes farther below the reset threshold), the maximum allowable pulse width decreases. Typically, for the V6309L and V6319M, a V_{DD} transient that goes 100V below the reset threshold and lasts 20 μ s or less will not cause a reset pulse. A 0.1 μ F bypass capacitor mounted as close as possible to the V_{DD} pin provides additional transient immunity.

Max. Transient Duration without causing a Reset Pulse versus Reset Comparator Overdrive

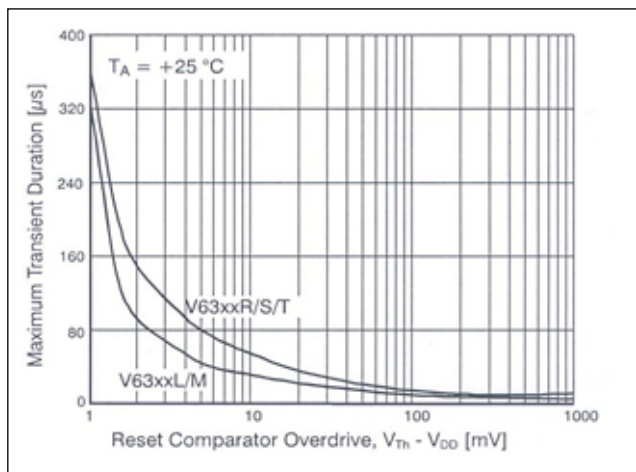


Fig. 9

Ensuring a Valid Reset Output down to $V_{DD} = 0V$

When V_{DD} falls below 1V, the V6309 \overline{RESET} output no longer sinks current, it becomes an open circuit. Therefore, high-impedance CMOS logic inputs connected to \overline{RESET} can drift to undetermined voltages. This presents no problem in most applications, since most μ P and other circuitry is inoperative with V_{DD} below 1V. However, in applications where \overline{RESET} must be valid down to 0V, adding a pull-down resistor to \overline{RESET} causes any stray leakage currents to flow to ground, holding \overline{RESET} low (Fig. 10). R1's value is not critical; 100 k Ω is large enough not to load \overline{RESET} and small enough to pull \overline{RESET} to ground. A 100 k Ω pull-up resistor to V_{DD} is also recommended for the V6319, if \overline{RESET} is required to remain valid for $V_{DD} < 1V$.

RESET Valid for $V_{DD} = \text{Ground}$ Circuit

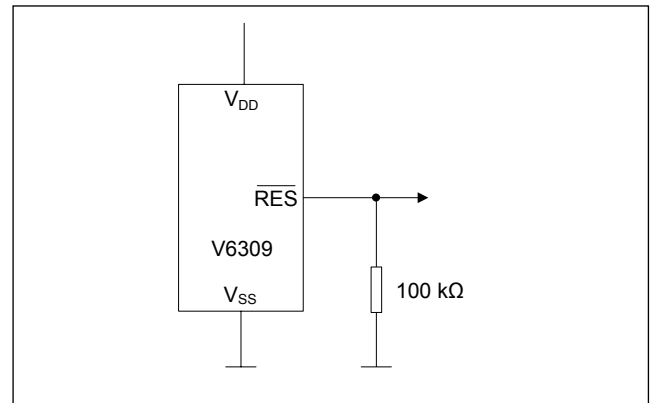


Fig. 10

Interfacing to μ Ps with Bidirectional Reset Pins

Microprocessors with bidirectional reset pins (such as the Motorola 68HC11 series) can connect to the V6309 reset output. If, for example, the V6309 \overline{RESET} output is asserted high and the μ P wants to pull it low, indeterminate logic levels may result. To correct this, connect a 4.7 k Ω resistor between the V6309 \overline{RESET} and the μ P reset I/O (Fig. 11). Buffer the V6309 \overline{RESET} output to other system components.

Interfacing to μ Ps with Bidirectional Reset I/O

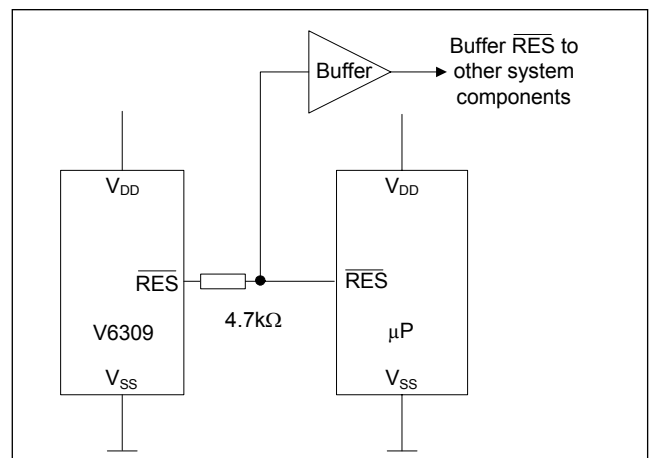


Fig. 11

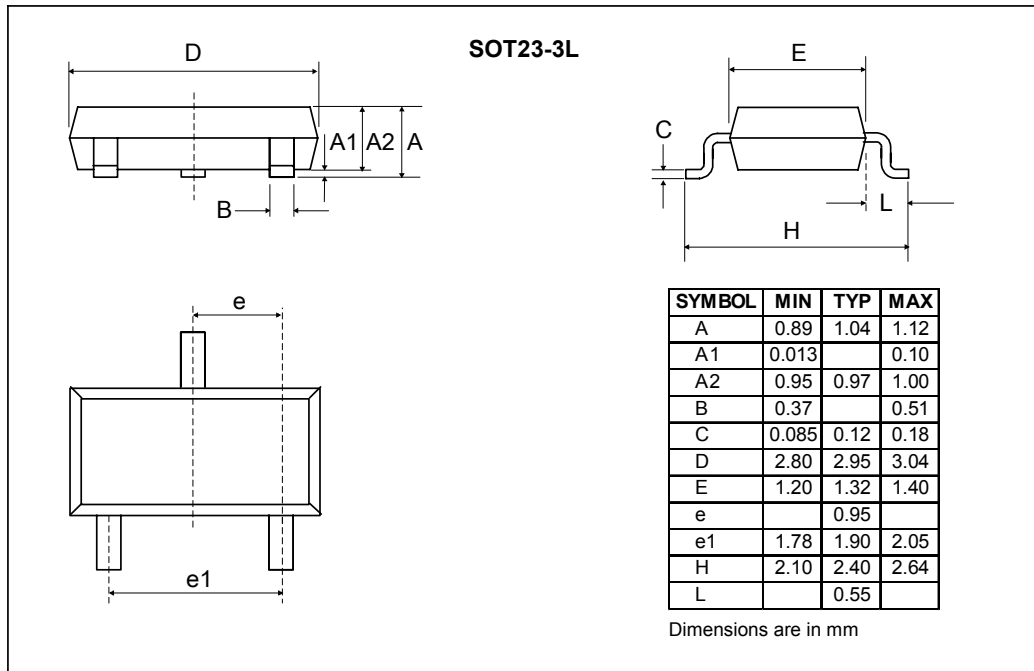
Benefits of Highly Accurate Reset Threshold

Most μ P supervisor ICs have reset threshold voltages between 5% and 10% below the value of nominal supply voltages. This ensures a reset will not occur within 5% of the nominal supply, but will occur when the supply is 10% below nominal. When using ICs rated at only the nominal supply $\pm 5\%$, this leaves a zone of uncertainty where the supply is between 5% and 10% low, and where the reset may or may not be asserted.

The V6209/T and V6319/T use highly accurate circuitry to ensure that reset is asserted close to the 5% limit, and long before the supply has declined to 10% below nominal.

Packaging and Ordering Information

Dimensions of SOT23-3L Package



Ordering Information

When ordering, please always specify the complete Part Number. Please contact EM Microelectronic for availability.

Part Number	Threshold Voltage	Output Type	Package & Delivery Form	Top Marking ¹⁾	Top Marking ²⁾ with 4 Characters	Top Marking ³⁾ with 3 Characters
V6309RSP3B	2.63V	Active low push-pull	SOT23-3L, Tape & Reel 3000 pces	EK## AT## BT## EF## E9## E6##	AEAR	ER#
V6309RSP3B+	2.63V				BEAR	
V6309SSP3B	2.93V				AEAS	ES#
V6309SSP3B+	2.93V				BEAS	
V6309TSP3B	3.08V				AEAT	ET#
V6309TSP3B+	3.08V				BEAT	
V6309MSP3B	4.38V				AEAM	EM#
V6309MSP3B+	4.38V				BEAM	
V6309LSP3B	4.63V				AEAL	EL#
V6309LSP3B+	4.63V				BEAL	
V6319RSP3B	2.63V	Active high push-pull	SOT23-3L, Tape & Reel 3000 pces	P0## E5##	AFAR	FR#
V6319SSP3B	2.93V				AFAS	FS#
V6319TSP3B	3.08V				AFAT	FT#
V6319MSP3B	4.38V				AFAM	FM#
V6319MSP3B+	4.38V				BFAM	
V6319LSP3B	4.63V				AFAL	FL#

- 1) Top marking is the standard from 2006. No bottom marking exists. Where ## refers to the lot number (EM internal reference only)
- 2) Top marking with 4 characters is standard from 2003. For lead-free/green mold (RoHS) parts, the first letter of top marking with 4 characters begins with letter "B" instead of letter "A". Bottom marking indicates the lot number.
- 3) Top marking with 3 characters is kept as information since it was used until 2002. Where # refers to the lot number (EM internal reference only)

Traceability for Small Packages

Due to the limited space on the package surface, the bottom marking contains a limited number of characters that provide only partial information for lot traceability. Full information for complete traceability is however provided on the packing labels of the product at delivery from EM. It is highly recommended that the customer insures full lot traceability of EM product in his final product.



Samples

Part Number
V6309LSP3B+
V6309MSP3B+
V6309RSP3B+
V6309SSP3B+
V6309TSP3B+

Part Number
V6319TSP3B
V6319MSP3B+

Sample stock is generally held on versions list above. Please contact factory for other versions not shown here.

EM Microelectronic-Marin SA (EM) makes no warranty for the use of its products, other than those expressly contained in the Company's standard warranty which is detailed in EM's General Terms of Sale located on the Company's web site. EM assumes no responsibility for any errors which may appear in this document, reserves the right to change devices or specifications detailed herein at any time without notice, and does not make any commitment to update the information contained herein. No licenses to patents or other intellectual property of EM are granted in connection with the sale of EM products, expressly or by implications. EM's products are not authorized for use as components in life support devices or systems.