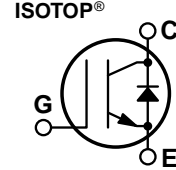
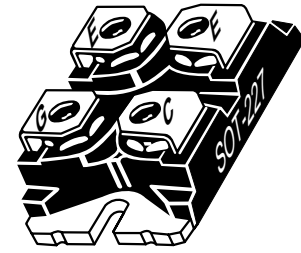


Thunderbolt IGBT™ & FRED

The Thunderbolt IGBT™ is a new generation of high voltage power IGBTs. Using Non-Punch Through Technology the Thunderbolt IGBT™ combined with an APT free-wheeling ultraFast Recovery Epitaxial Diode (FRED) offers superior ruggedness and ultrafast switching speed.

- Low Forward Voltage Drop
- Low Tail Current
- Ultrafast Soft Recovery Antiparallel Diode
- High Freq. Switching to 150KHz
- Ultra Low Leakage Current
- RBSOA and SCSOA Rated



MAXIMUM RATINGS (IGBT)

All Ratings: $T_C = 25^\circ\text{C}$ unless otherwise specified.

Symbol	Parameter	APT60GF60JRD	UNIT
V_{CES}	Collector-Emitter Voltage	600	Volts
V_{CGR}	Collector-Gate Voltage ($R_{GE} = 20K\Omega$)	600	
V_{GE}	Gate-Emitter Voltage	± 20	
I_{C1}	Continuous Collector Current @ $T_C = 25^\circ\text{C}$	90	Amps
I_{C2}	Continuous Collector Current @ $T_C = 110^\circ\text{C}$	60	
I_{CM1}	Pulsed Collector Current ^① @ $T_C = 25^\circ\text{C}$	180	
I_{CM2}	Pulsed Collector Current ^① @ $T_C = 110^\circ\text{C}$	120	
P_D	Total Power Dissipation	375	Watts
T_J, T_{STG}	Operating and Storage Junction Temperature Range	-55 to 150	$^\circ\text{C}$
T_L	Max. Lead Temp. for Soldering: 0.063" from Case for 10 Sec.	300	

STATIC ELECTRICAL CHARACTERISTICS (IGBT)

Symbol	Characteristic / Test Conditions	MIN	TYP	MAX	UNIT
BV_{CES}	Collector-Emitter Breakdown Voltage ($V_{GE} = 0V, I_C = 0.5mA$)	600			Volts
$V_{GE(TH)}$	Gate Threshold Voltage ($V_{CE} = V_{GE}, I_C = 700\mu A, T_j = 25^\circ\text{C}$)	3	4	5	
$V_{CE(ON)}$	Collector-Emitter On Voltage ($V_{GE} = 15V, I_C = I_{C2}, T_j = 25^\circ\text{C}$)	1.6	2.0	2.5	
	Collector-Emitter On Voltage ($V_{GE} = 15V, I_C = I_{C2}, T_j = 150^\circ\text{C}$)			2.8	
I_{CES}	Collector Cut-off Current ($V_{CE} = V_{CES}, V_{GE} = 0V, T_j = 25^\circ\text{C}$)			0.3	mA
	Collector Cut-off Current ($V_{CE} = V_{CES}, V_{GE} = 0V, T_j = 125^\circ\text{C}$)			3.0	
I_{GES}	Gate-Emitter Leakage Current ($V_{GE} = \pm 20V, V_{CE} = 0V$)			± 100	nA

 **CAUTION:** These Devices are Sensitive to Electrostatic Discharge. Proper Handling Procedures Should Be Followed.

USA
405 S.W. Columbia Street

EUROPE
Avenue J.F. Kennedy Bât B4 Parc Cadéra Nord

APT Website - <http://www.advancedpower.com>

Bend, Oregon 97702-1035

Phone: (541) 382-8028

FAX: (541) 388-0364

F-33700 Merignac - France

Phone: (33) 5 57 92 15 15

FAX: (33) 5 56 47 97 61

DYNAMIC CHARACTERISTICS (IGBT)

APT60GT60JRD

Symbol	Characteristic	Test Conditions	MIN	TYP	MAX	UNIT
C _{ies}	Input Capacitance	Capacitance V _{GE} = 0V V _{CE} = 25V f = 1 MHz		3200		pF
C _{oes}	Output Capacitance			400		
C _{res}	Reverse Transfer Capacitance			180		
Q _g	Total Gate Charge ^②	Gate Charge V _{GE} = 15V V _{CC} = 0.8V _{CES} I _C = I _{C2}		280		nC
Q _{ge}	Gate-Emitter Charge			120		
Q _{gc}	Gate-Collector ("Miller") Charge			20		
t _{d(on)}	Turn-on Delay Time	Resistive Switching (25°C) V _{GE} = 15V V _{CC} = 0.8V _{CES} I _C = I _{C2} R _G = 5Ω		14		ns
t _r	Rise Time			55		
t _{d(off)}	Turn-off Delay Time			200		
t _f	Fall Time			140		
t _{d(on)}	Turn-on Delay Time	Inductive Switching (150°C) V _{CLAMP(Peak)} = 0.66V _{CES} V _{GE} = 15V I _C = I _{C2} R _G = 5Ω T _J = +150°C		25		ns
t _r	Rise Time			75		
t _{d(off)}	Turn-off Delay Time			300		
t _f	Fall Time			95		
E _{on}	Turn-on Switching Energy ^③			1.9		
E _{off}	Turn-off Switching Energy ^③		2.4			
E _{ts}	Total Switching Losses		4.3			
t _{d(on)}	Turn-on Delay Time	Inductive Switching (25°C) V _{CLAMP(Peak)} = 0.66V _{CES} V _{GE} = 15V I _C = I _{C2} R _G = 5Ω T _J = +25°C		25		ns
t _r	Rise Time			75		
t _{d(off)}	Turn-off Delay Time			260		
t _f	Fall Time			90		
E _{ts}	Total Switching Losses ^③			3.8		
g _{fe}	Forward Transconductance	V _{CE} = 20V, I _C = I _{C2}	6			S

THERMAL AND MECHANICAL CHARACTERISTICS (IGBT and FRED)

Symbol	Characteristic	MIN	TYP	MAX	UNIT
R _{θJC}	Junction to Case (IGBT)			0.33	°C/W
	Junction to Case (FRED)			0.66	
R _{θJA}	Junction to Ambient			20	
W _T	Package Weight		1.03		oz
			29.2		gm
Torque	Mounting Torque (Mounting = 8-32 or 4mm Machine and Terminals = 4mm Machine)			13.6	lb•in
				1.5	N•m

① Repetitive Rating: Pulse width limited by maximum junction temperature.

② See MIL-STD-750 Method 3471

③ These switching losses are a combination of both the FRED and the IGBT.

APT Reserves the right to change, without notice, the specifications and information contained herein.

ULTRAFAST SOFT RECOVERY PARALLEL DIODE

MAXIMUM RATINGS (FRED)

All Ratings: $T_C = 25^\circ\text{C}$ unless otherwise specified.

Symbol	Characteristic / Test Conditions	APT60GT60JRD	UNIT
V_R	Maximum D.C. Reverse Voltage	600	Volts
V_{RRM}	Maximum Peak Repetitive Reverse Voltage		
V_{RWM}	Maximum Working Peak Reverse Voltage		
$I_F(AV)$	Maximum Average Forward Current ($T_C = 85^\circ\text{C}$, Duty Cycle = 0.5)	60	Amps
$I_F(RMS)$	RMS Forward Current	100	
I_{FSM}	Non-Repetitive Forward Surge Current ($T_J = 45^\circ\text{C}$, 8.3ms)	600	

STATIC ELECTRICAL CHARACTERISTICS (FRED)

Symbol	Characteristic / Test Conditions	MIN	TYP	MAX	UNIT
V_F	Maximum Forward Voltage			1.8	Volts
				$I_F = 60\text{A}$	
			$I_F = 120\text{A}$	1.75	
				1.5	
					$I_F = 60\text{A}, T_J = 150^\circ\text{C}$

DYNAMIC CHARACTERISTICS (FRED)

Symbol	Characteristic	MIN	TYP	MAX	UNIT
t_{rr1}	Reverse Recovery Time, $I_F = 1.0\text{A}$, $di_F/dt = -15\text{A}/\mu\text{s}$, $V_R = 30\text{V}$, $T_J = 25^\circ\text{C}$		55	70	ns
t_{rr2}	Reverse Recovery Time		$T_J = 25^\circ\text{C}$	70	
t_{rr3}	$I_F = 60\text{A}$, $di_F/dt = -480\text{A}/\mu\text{s}$, $V_R = 350\text{V}$		$T_J = 100^\circ\text{C}$	90	
t_{fr1}	Forward Recovery Time		$T_J = 25^\circ\text{C}$	160	
t_{fr2}	$I_F = 60\text{A}$, $di_F/dt = 480\text{A}/\mu\text{s}$, $V_R = 350\text{V}$		$T_J = 100^\circ\text{C}$	160	
I_{RRM1}	Reverse Recovery Current		$T_J = 25^\circ\text{C}$	10	Amps
I_{RRM2}	$I_F = 60\text{A}$, $di_F/dt = -480\text{A}/\mu\text{s}$, $V_R = 350\text{V}$		$T_J = 100^\circ\text{C}$	20	
Q_{rr1}	Recovery Charge		$T_J = 25^\circ\text{C}$	350	nC
Q_{rr2}	$I_F = 60\text{A}$, $di_F/dt = -480\text{A}/\mu\text{s}$, $V_R = 350\text{V}$		$T_J = 100^\circ\text{C}$	900	
V_{fr1}	Forward Recovery Voltage		$T_J = 25^\circ\text{C}$	6	Volts
V_{fr2}	$I_F = 60\text{A}$, $di_F/dt = 480\text{A}/\mu\text{s}$, $V_R = 350\text{V}$		$T_J = 100^\circ\text{C}$	6	
diM/dt	Rate of Fall of Recovery Current		$T_J = 25^\circ\text{C}$	800	A/ μs
	$I_F = 60\text{A}$, $di_F/dt = -480\text{A}/\mu\text{s}$, $V_R = 350\text{V}$		$T_J = 100^\circ\text{C}$	500	

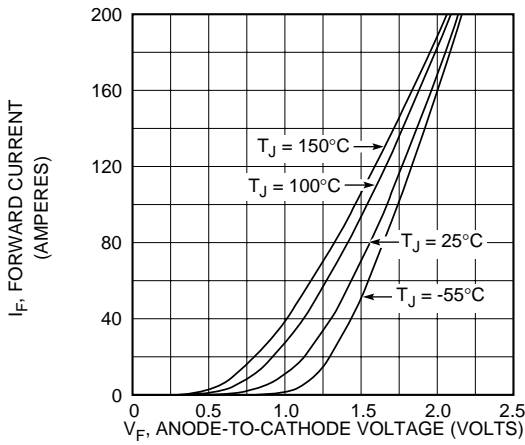


Figure 1, Forward Voltage Drop vs Forward Current

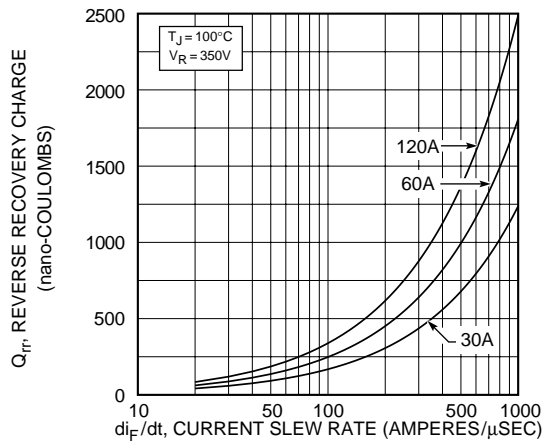


Figure 2, Reverse Recovery Charge vs Current Slew Rate

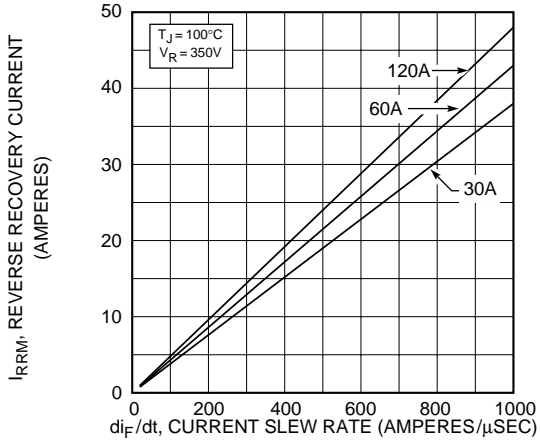


Figure 3, Reverse Recovery Current vs Current Slew Rate

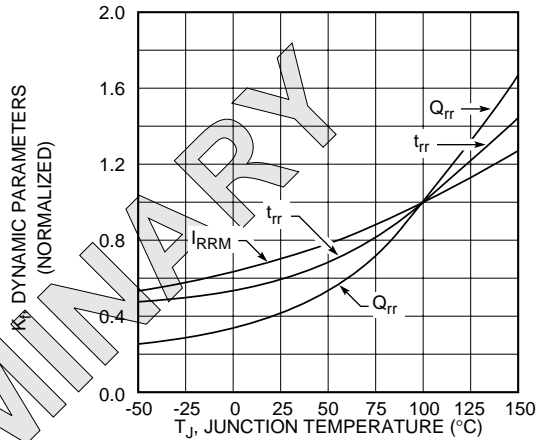


Figure 4, Dynamic Parameters vs Junction Temperature

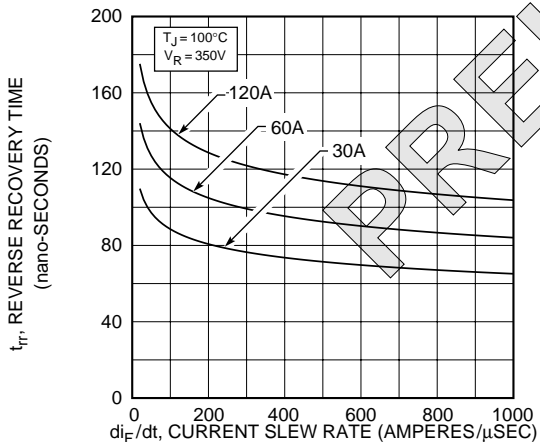


Figure 5, Reverse Recovery Time vs Current Slew Rate

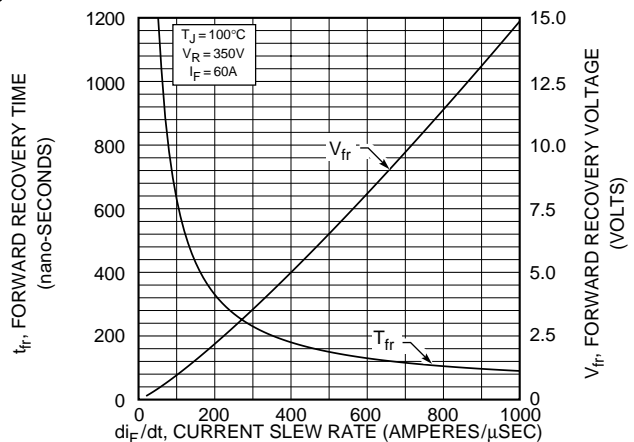


Figure 6, Forward Recovery Voltage/Time vs Current Slew Rate

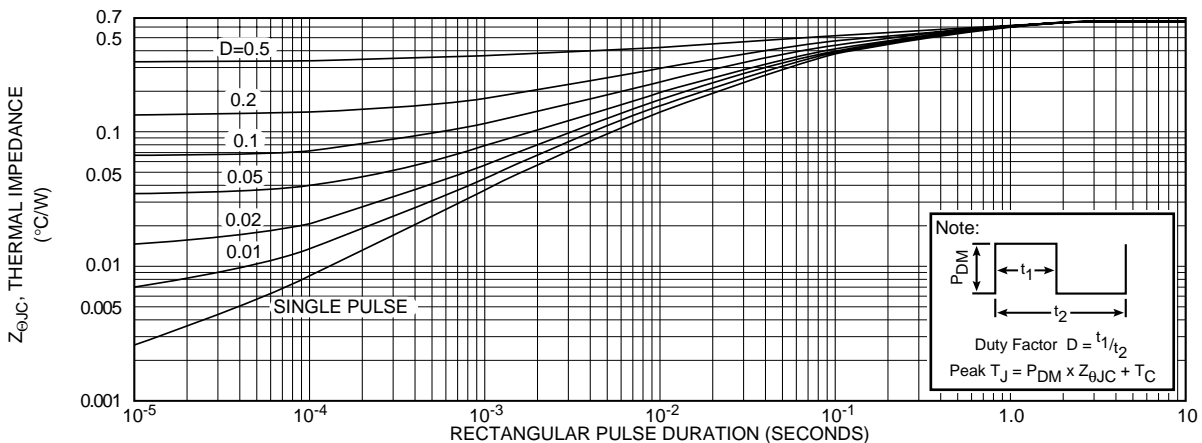


Figure 7, Maximum Effective Transient Thermal Impedance, Junction-To-Case vs Pulse Duration

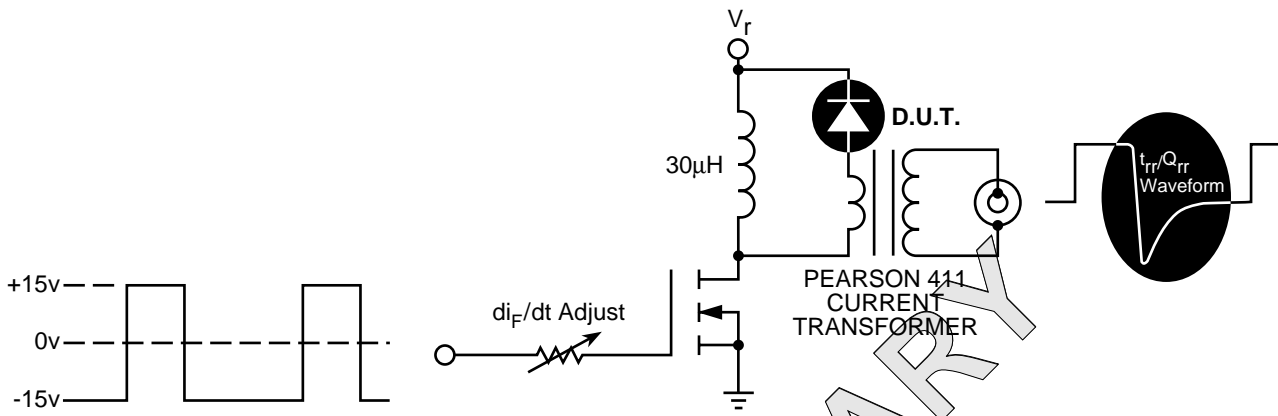
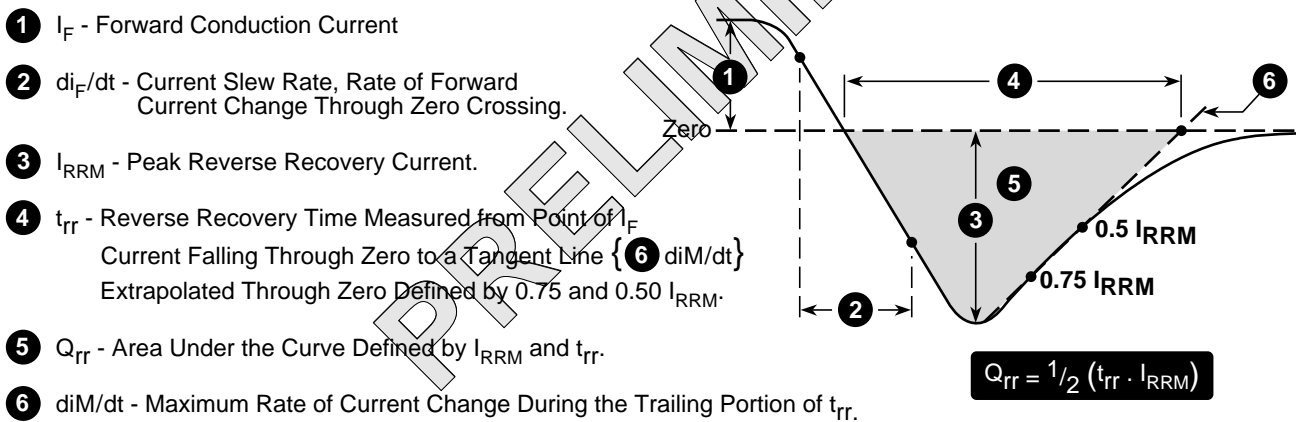
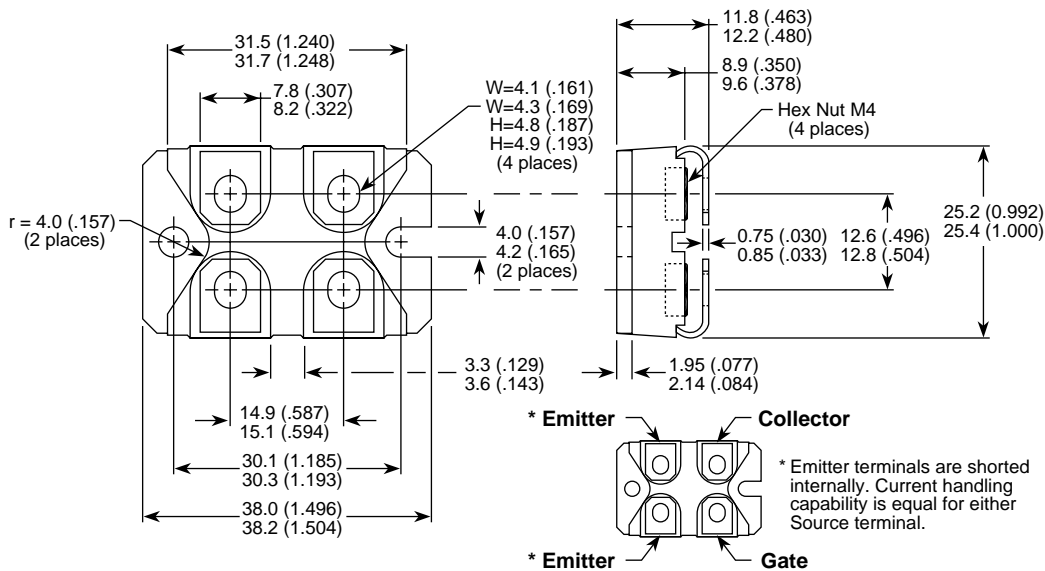


Figure 25, Diode Reverse Recovery Test Circuit and Waveforms



SOT-227 (ISOTOP®) Package Outline



Dimensions in Millimeters and (Inches)