



## LC<sup>2</sup>MOS Quad SPST Switches

### ADG441/ADG442/ADG444

#### FEATURES

**44 V Supply Maximum Ratings**  
**V<sub>SS</sub> to V<sub>DD</sub> Analog Signal Range**  
**Low On Resistance (< 70 Ω)**  
**Low ΔR<sub>ON</sub> (9 Ω max)**  
**Low R<sub>ON</sub> Match (3 Ω max)**  
**Low Power Dissipation**  
**Fast Switching Times**  
    t<sub>ON</sub> < 110 ns  
    t<sub>OFF</sub> < 60 ns  
**Low Leakage Currents ( 3 nA max)**  
**Low Charge Injection (6 pC max)**  
**Break-Before-Make Switching Action**  
**Latch-Up Proof**  
**Plug-In Upgrade for**  
    DG201A/ADG201A, DG202A/ADG202A,  
    DG211/ADG211A  
**Plug in Replacement for DG441/DG442/DG444**

#### APPLICATIONS

**Audio and Video Switching**  
**Automatic Test Equipment**  
**Precision Data Acquisition**  
**Battery Powered Systems**  
**Sample Hold Systems**  
**Communication Systems**

#### GENERAL DESCRIPTION

The ADG441, ADG442 and ADG444 are monolithic CMOS devices comprising four independently selectable switches. They are designed on an enhanced LC<sup>2</sup>MOS process that provides low power dissipation yet gives high switching speed and low on resistance.

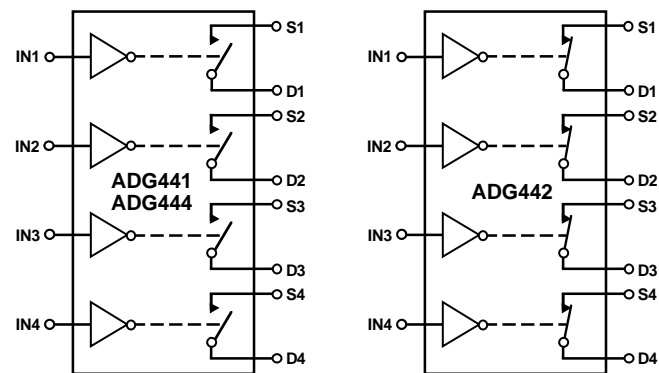
The on resistance profile is very flat over the full analog input range ensuring good linearity and low distortion when switching audio signals. High switching speed also makes the parts suitable for video signal switching. CMOS construction ensures ultralow power dissipation making the parts ideally suited for portable and battery powered instruments.

The ADG441, ADG442 and ADG444 contain four independent SPST switches. Each switch of the ADG441 and ADG444 turns on when a logic low is applied to the appropriate control input. The ADG442 switches are turned on with a logic high on the appropriate control input. The ADG441 and ADG444 switches differ in that the ADG444 requires a 5 V logic power supply which is applied to the V<sub>L</sub> pin. The ADG441 and ADG442 do not have a V<sub>L</sub> pin, the logic power supply being generated internally by an on-chip voltage generator.

#### REV. 0

Information furnished by Analog Devices is believed to be accurate and reliable. However, no responsibility is assumed by Analog Devices for its use, nor for any infringements of patents or other rights of third parties which may result from its use. No license is granted by implication or otherwise under any patent or patent rights of Analog Devices.

#### FUNCTIONAL BLOCK DIAGRAMS



SWITCHES SHOWN FOR A LOGIC "1" INPUT

Each switch conducts equally well in both directions when ON and has an input signal range that extends to the power supplies. In the OFF condition, signal levels up to the supplies are blocked. All switches exhibit break-before-make switching action for use in multiplexer applications. Inherent in the design is low charge injection for minimum transients when switching the digital inputs.

#### PRODUCT HIGHLIGHTS

- Extended Signal Range**  
The ADG441/ADG442/ADG444 are fabricated on an enhanced LC<sup>2</sup>MOS, trench-isolated process, giving an increased signal range that extends to the supply rails.
- Low Power Dissipation**
- Low R<sub>ON</sub>**
- Trench Isolation Guards Against Latch Up**  
A dielectric trench separates the P and N channel transistors thereby preventing latch up even under severe overvoltage conditions.
- Break-Before-Make Switching**  
This prevents channel shorting when the switches are configured as a multiplexer.
- Single Supply Operation**  
For applications where the analog signal is unipolar, the ADG441/ADG442/ADG444 can be operated from a single rail power supply. The parts are fully specified with a single +12 V power supply.

# ADG441/ADG442/ADG444—SPECIFICATIONS<sup>1</sup>

**Dual Supply** ( $V_{DD} = +15\text{ V} \pm 10\%$ ,  $V_{SS} = -15\text{ V} \pm 10\%$ ,  $V_L = +5\text{ V} \pm 10\%$  (ADG444),  $GND = 0\text{ V}$ , unless otherwise noted)

Parameter	B Version		T Version		Units	Test Conditions/Comments
	+25°C	-40°C to +85°C	+25°C	-55°C to +125°C		
<b>ANALOG SWITCH</b>						
Analogue Signal Range		$V_{SS}$ to $V_{DD}$		$V_{SS}$ to $V_{DD}$	V	
$R_{ON}$	40		40		$\Omega$ typ	$V_D = \pm 8.5\text{ V}$ , $I_S = -10\text{ mA}$
	70	85	70	85	$\Omega$ max	$V_{DD} = +13.5\text{ V}$ , $V_{SS} = -13.5\text{ V}$
$\Delta R_{ON}$		4		4	$\Omega$ typ	$-8.5\text{ V} \leq V_D \leq +8.5\text{ V}$
		9		9	$\Omega$ max	
$R_{ON}$ Match		1		1	$\Omega$ typ	$V_D = 0\text{ V}$ , $I_S = -10\text{ mA}$
		3		3	$\Omega$ max	
<b>LEAKAGE CURRENTS</b>						
Source OFF Leakage $I_S$ (OFF)	$\pm 0.01$		$\pm 0.01$		nA typ	$V_{DD} = +16.5\text{ V}$ , $V_{SS} = -16.5\text{ V}$
	$\pm 0.5$	$\pm 3$	$\pm 0.5$	$\pm 20$	nA max	$V_D = \pm 15.5\text{ V}$ , $V_S = \mp 15.5\text{ V}$ ; Test Circuit 2
Drain OFF Leakage $I_D$ (OFF)	$\pm 0.01$		$\pm 0.01$		nA typ	$V_D = \pm 15.5\text{ V}$ , $V_S = \mp 15.5\text{ V}$ ;
	$\pm 0.5$	$\pm 3$	$\pm 0.5$	$\pm 20$	nA max	Test Circuit 2
Channel ON Leakage $I_D$ , $I_S$ (ON)	$\pm 0.08$		$\pm 0.08$		nA typ	$V_S = V_D = \pm 15.5\text{ V}$ ;
	$\pm 0.5$	$\pm 3$	$\pm 0.5$	$\pm 40$	nA max	Test Circuit 3
<b>DIGITAL INPUTS</b>						
Input High Voltage, $V_{INH}$		2.4		2.4	V min	
Input Low Voltage, $V_{INL}$		0.8		0.8	V max	
Input Current						
$I_{INL}$ or $I_{INH}$		$\pm 0.00001$		$\pm 0.00001$	$\mu\text{A}$ typ	$V_{IN} = V_{INL}$ or $V_{INH}$
		$\pm 0.5$		$\pm 0.5$	$\mu\text{A}$ max	
<b>DYNAMIC CHARACTERISTICS<sup>2</sup></b>						
$t_{ON}$	85		85		ns typ	$R_L = 1\text{ k}\Omega$ , $C_L = 35\text{ pF}$ ;
	110	170	110	170	ns max	$V_S = \pm 10\text{ V}$ ; Test Circuit 4
$t_{OFF}$	45		45		ns typ	$R_L = 1\text{ k}\Omega$ , $C_L = 35\text{ pF}$ ;
	60	80	60	80	ns max	$V_S = \pm 10\text{ V}$ ; Test Circuit 4
$t_{OPEN}$	30		30		ns typ	$R_L = 1\text{ k}\Omega$ , $C_L = 35\text{ pF}$ ;
Charge Injection	1		1		pC typ	$V_S = 0\text{ V}$ , $R_S = 0\ \Omega$ , $C_L = 1\text{ nF}$ ;
	6		6		pC max	$V_{DD} = +15\text{ V}$ , $V_{SS} = -15\text{ V}$ ; Test Circuit 5
OFF Isolation	60		60		dB typ	$R_L = 50\ \Omega$ , $C_L = 5\text{ pF}$ ;
						$f = 1\text{ MHz}$ ; Test Circuit 6
Channel-to-Channel Crosstalk	100		100		dB typ	$R_L = 50\ \Omega$ , $C_L = 5\text{ pF}$ ;
						$f = 1\text{ MHz}$ ; Test Circuit 7
$C_S$ (OFF)	4		4		pF typ	$f = 1\text{ MHz}$
$C_D$ (OFF)	4		4		pF typ	$f = 1\text{ MHz}$
$C_D$ , $C_S$ (ON)	16		16		pF typ	$f = 1\text{ MHz}$
<b>POWER REQUIREMENTS</b>						
$I_{DD}$						$V_{DD} = +16.5\text{ V}$ , $V_{SS} = -16.5\text{ V}$
ADG441/ADG442		80		80	$\mu\text{A}$ max	Digital Inputs = 0 V or 5 V
ADG444	0.001		0.001		$\mu\text{A}$ typ	
	1	2.5	1	2.5	$\mu\text{A}$ max	
$I_{SS}$	0.0001		0.0001		$\mu\text{A}$ typ	
	1	2.5	1	2.5	$\mu\text{A}$ max	
$I_L$ (ADG444 Only)	0.001		0.001		$\mu\text{A}$ typ	$V_L = +5.5\text{ V}$
	1	2.5	1	2.5	$\mu\text{A}$ max	

## NOTES

<sup>1</sup>Temperature ranges are as follows: B Versions:  $-40^\circ\text{C}$  to  $+85^\circ\text{C}$ ; T Versions:  $-55^\circ\text{C}$  to  $+125^\circ\text{C}$ .

<sup>2</sup>Guaranteed by design, not subject to production test.

Specifications subject to change without notice.

# ADG441/ADG442/ADG444

**Single Supply** ( $V_{DD} = +12\text{ V} \pm 10\%$ ,  $V_{SS} = 0\text{ V}$ ,  $V_L = +5\text{ V} \pm 10\%$  (ADG444),  $GND = 0\text{ V}$ , unless otherwise noted)

Parameter	B Version		T Version		Units	Test Conditions/Comments
	+25°C	-40°C to +85°C	+25°C	-55°C to +125°C		
<b>ANALOG SWITCH</b>						
Analog Signal Range		0 to $V_{DD}$		0 to $V_{DD}$	V	
$R_{ON}$	70		70		$\Omega$ typ	$V_D = +3\text{ V}$ , $+8\text{ V}$ , $I_S = -10\text{ mA}$ ; $V_{DD} = +10.8\text{ V}$
	110	130	110	130	$\Omega$ max	$+3\text{ V} \leq V_D \leq +8\text{ V}$
$\Delta R_{ON}$		4		4	$\Omega$ typ	
		9		9	$\Omega$ max	
$R_{ON}$ Match		1		1	$\Omega$ typ	$V_D = 6\text{ V}$ , $I_S = -10\text{ mA}$
		3		3	$\Omega$ max	
<b>LEAKAGE CURRENT</b>						
Source OFF Leakage $I_S$ (OFF)	$\pm 0.01$		$\pm 0.01$		nA typ	$V_{DD} = +13.2\text{ V}$ $V_D = 12.2\text{ V}/1\text{ V}$ , $V_S = 1\text{ V}/12.2\text{ V}$ ; Test Circuit 2
	$\pm 0.5$	$\pm 3$	$\pm 0.5$	$\pm 20$	nA max	
Drain OFF Leakage $I_D$ (OFF)	$\pm 0.01$		$\pm 0.01$		nA typ	$V_D = 12.2\text{ V}/1\text{ V}$ , $V_S = 1\text{ V}/12.2\text{ V}$ ; Test Circuit 2
	$\pm 0.5$	$\pm 3$	$\pm 0.5$	$\pm 20$	nA max	
Channel ON Leakage $I_D$ , $I_S$ (ON)	$\pm 0.08$		$\pm 0.08$		nA typ	$V_S = V_D = 12.2\text{ V}/1\text{ V}$ ; Test Circuit 3
	$\pm 0.5$	$\pm 3$	$\pm 0.5$	$\pm 40$	nA max	
<b>DIGITAL INPUTS</b>						
Input High Voltage, $V_{INH}$		2.4		2.4	V min	
Input Low Voltage, $V_{INL}$		0.8		0.8	V max	
Input Current						
$I_{INL}$ or $I_{INH}$		$\pm 0.00001$		$\pm 0.00001$	$\mu\text{A}$ typ	$V_{IN} = V_{INL}$ or $V_{INH}$
		$\pm 0.5$		$\pm 0.5$	$\mu\text{A}$ max	
<b>DYNAMIC CHARACTERISTICS<sup>2</sup></b>						
$t_{ON}$	105		105		ns typ	$R_L = 1\text{ k}\Omega$ , $C_L = 35\text{ pF}$ ; $V_S = +8\text{ V}$ ; Test Circuit 4
	150	220	150	220	ns max	
$t_{OFF}$	40		40		ns typ	$R_L = 1\text{ k}\Omega$ , $C_L = 35\text{ pF}$ ; $V_S = +8\text{ V}$ ; Test Circuit 4
	60	100	60	100	ns max	
$t_{OPEN}$	50		50		ns typ	$R_L = 1\text{ k}\Omega$ , $C_L = 35\text{ pF}$ ;
Charge Injection	2		2		pC typ	$V_S = 6\text{ V}$ , $R_S = 0\text{ }\Omega$ , $C_L = 1\text{ nF}$ ; $V_{DD} = +12\text{ V}$ , $V_{SS} = 0\text{ V}$ ; Test Circuit 5
	6		6		pC max	
OFF Isolation	60		60		dB typ	$R_L = 50\text{ }\Omega$ , $C_L = 5\text{ pF}$ , $f = 1\text{ MHz}$ ; Test Circuit 6
Channel-to-Channel Crosstalk	100		100		dB typ	$R_L = 50\text{ }\Omega$ , $C_L = 5\text{ pF}$ , $f = 1\text{ MHz}$ ; Test Circuit 7
$C_S$ (OFF)	7		7		pF typ	$f = 1\text{ MHz}$
$C_D$ (OFF)	10		10		pF typ	$f = 1\text{ MHz}$
$C_D$ , $C_S$ (ON)	16		16		pF typ	$f = 1\text{ MHz}$
<b>POWER REQUIREMENTS</b>						
$I_{DD}$						$V_{DD} = +13.2\text{ V}$ Digital Inputs = 0 V or 5 V
ADG441/ADG442		80		80	$\mu\text{A}$ max	
ADG444	0.001		0.001		$\mu\text{A}$ typ	
	1	2.5	1	2.5	$\mu\text{A}$ max	
$I_L$ (ADG444 Only)	0.001		0.001		$\mu\text{A}$ typ	$V_L = +5.5\text{ V}$
	1	2.5	1	2.5	$\mu\text{A}$ max	

**NOTES**

<sup>1</sup>Temperature ranges are as follows: B Versions: -40°C to +85°C; T Versions: -55°C to +125°C.

<sup>2</sup>Guaranteed by design, not subject to production test.

Specifications subject to change without notice.

**ORDERING GUIDE**

**Table I. Truth Table**

ADG441/ADG444 IN	ADG442 IN	Switch Condition
0	1	ON
1	0	OFF

Model <sup>1</sup>	Temperature Range	Package Option <sup>2</sup>
ADG441BN	-40°C to +85°C	N-16
ADG441BR	-40°C to +85°C	R-16A
ADG441TQ	-55°C to +125°C	Q-16
ADG442BN	-40°C to +85°C	N-16
ADG442BR	-40°C to +85°C	R-16A
ADG444BN	-40°C to +85°C	N-16
ADG444BR	-40°C to +85°C	R-16A

**NOTES**

<sup>1</sup>To order MIL-STD-883, Class B processed parts, add /883B to T grade part numbers.

<sup>2</sup>N = Plastic DIP, R = 0.15" Small Outline IC (SOIC), Q = Cerdip.

# ADG441/ADG442/ADG444

## ABSOLUTE MAXIMUM RATINGS<sup>1</sup>

(T<sub>A</sub> = +25°C unless otherwise noted)

V <sub>DD</sub> to V <sub>SS</sub> .....	+44 V
V <sub>DD</sub> to GND .....	-0.3 V to +25 V
V <sub>SS</sub> to GND .....	+0.3 V to -25 V
V <sub>L</sub> to GND .....	-0.3 V to V <sub>DD</sub> + 0.3 V
Analog, Digital Inputs <sup>2</sup> .....	V <sub>SS</sub> - 2 V to V <sub>DD</sub> + 2 V or 30 mA, Whichever Occurs First
Continuous Current, S or D .....	30 mA
Peak Current, S or D .....	100 mA (Pulsed at 1 ms, 10% Duty Cycle Max)
Operating Temperature Range	
Industrial (B Version) .....	-40°C to +85°C
Extended (T Version) .....	-55°C to +125°C
Storage Temperature Range .....	-65°C to +150°C
Junction Temperature .....	+150°C
Cerdip Package, Power Dissipation .....	900 mW
θ <sub>JA</sub> , Thermal Impedance .....	76°C/W
Lead Temperature, Soldering (10 sec) .....	+300°C
Plastic Package, Power Dissipation .....	470 mW
θ <sub>JA</sub> , Thermal Impedance .....	177°C/W
Lead Temperature, Soldering (10 sec) .....	+260°C
SOIC Package, Power Dissipation .....	600 mW
θ <sub>JA</sub> , Thermal Impedance .....	77°C/W
Lead Temperature, Soldering	
Vapor Phase (60 sec) .....	+215°C
Infrared (15 sec) .....	+220°C

## NOTES

<sup>1</sup>Stresses above those listed under “Absolute Maximum Ratings” may cause permanent damage to the device. This is a stress rating only and functional operation of the device at these or any other conditions above those listed in the operational sections of this specification is not implied. Exposure to absolute maximum rating conditions for extended periods may affect device reliability. Only one absolute maximum rating may be applied at any one time.

<sup>2</sup>Overtages at IN, S or D will be clamped by internal diodes. Current should be limited to the maximum ratings given.

## TERMINOLOGY

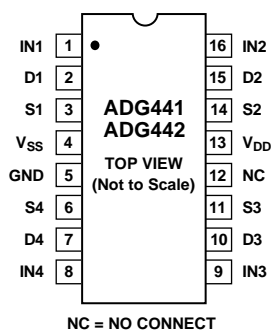
V <sub>DD</sub>	Most Positive Power Supply Potential.
V <sub>SS</sub>	Most Negative Power Supply Potential in dual supplies. In single supply applications, it may be connected to ground.
V <sub>L</sub>	Logic Power Supply (+5 V).
GND	Ground (0 V) Reference.
S	Source Terminal. May be an input or output.
D	Drain Terminal. May be an input or output.
IN	Logic Control Input.
R <sub>ON</sub>	Ohmic resistance between D and S.
R <sub>ON</sub> Match	Difference between the R <sub>ON</sub> of any two channels.
I <sub>S</sub> (OFF)	Source leakage current with the switch “OFF.”
I <sub>D</sub> (OFF)	Drain leakage current with the switch “OFF.”
I <sub>D</sub> , I <sub>S</sub> (ON)	Channel leakage current with the switch “ON.”
V <sub>D</sub> (V <sub>S</sub> )	Analog voltage on terminals D, S.
C <sub>S</sub> (OFF)	“OFF” Switch Source Capacitance.
C <sub>D</sub> (OFF)	“OFF” Switch Drain Capacitance.
C <sub>D</sub> , C <sub>S</sub> (ON)	“ON” Switch Capacitance.
t <sub>ON</sub>	Delay between applying the digital control input and the output switching on.
t <sub>OFF</sub>	Delay between applying the digital control input and the output switching off.
t <sub>OPEN</sub>	Break-Before-Make Delay when switches are configured as a multiplexer.
Crosstalk	A measure of unwanted signal which is coupled through from one channel to another as a result of parasitic capacitance.
Off Isolation	A measure of unwanted signal coupling through an “OFF” switch.
Charge Injection	A measure of the glitch impulse transferred from the digital input to the analog output during switching.

## CAUTION

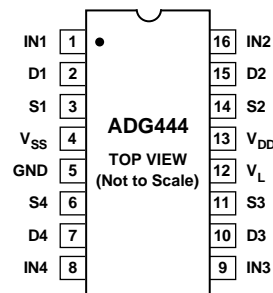
ESD (electrostatic discharge) sensitive device. Electrostatic charges as high as 4000 V readily accumulate on the human body and test equipment and can discharge without detection. Although these devices feature proprietary ESD protection circuitry, permanent damage may occur on devices subjected to high energy electrostatic discharges. Therefore, proper ESD precautions are recommended to avoid performance degradation or loss of functionality.



ADG441/ADG442 PIN CONFIGURATION (DIP/SOIC)



ADG444 PIN CONFIGURATION (DIP/SOIC)



**TRENCH ISOLATION**

In the ADG441, ADG442 and ADG444, an insulating oxide layer (trench) is placed between the NMOS and the PMOS transistors of each CMOS switch. Parasitic junctions, which occur between the transistors in junction isolated switches, are eliminated, the result being a completely latch-up proof switch.

In junction isolation, the N and P wells of the PMOS and NMOS transistors form a diode that is reverse-biased under normal operation. However, during overvoltage conditions, this diode becomes forward biased. A silicon-controlled rectifier (SCR) type circuit is formed by the two transistors causing a significant amplification of the current which, in turn, leads to latch up. With trench isolation, this diode is removed, the result being a latch-up proof switch.

Trench isolation also leads to lower leakage currents. The ADG441, ADG442 and ADG444 have a leakage current of 0.5 nA as compared with a leakage current of several nanoamperes in non-trench isolated switches. Leakage current is an important parameter in sample-and-hold circuits, this current being responsible for the discharge of the holding capacitor with time causing droop. The ADG441/ADG442/ADG444's low leakage current, along with its fast switching speeds, make it suitable for fast and accurate sample-and-hold circuits.

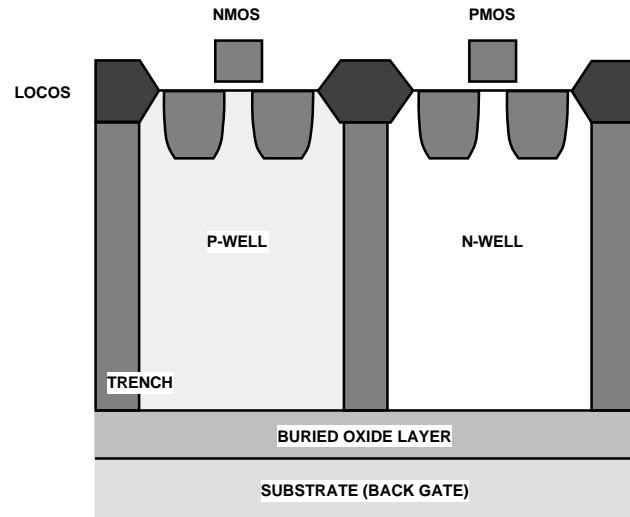


Figure 1. Trench Isolation

**Typical Performance Characteristics**

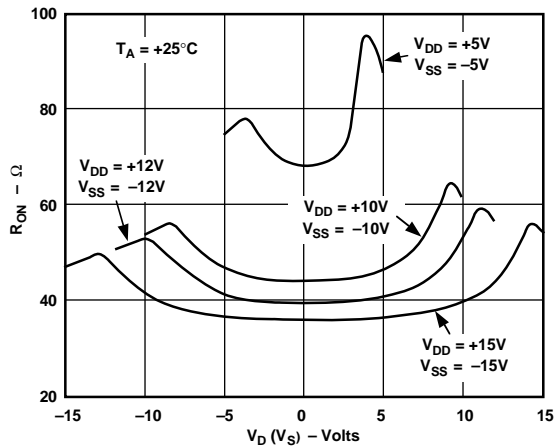


Figure 2.  $R_{ON}$  as a Function of  $V_D$  ( $V_S$ ): Dual Supply

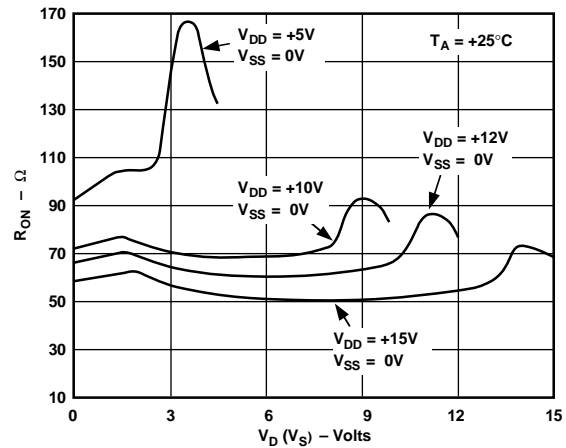


Figure 3.  $R_{ON}$  as a Function of  $V_D$  ( $V_S$ ): Single Supply

# ADG441/ADG442/ADG444

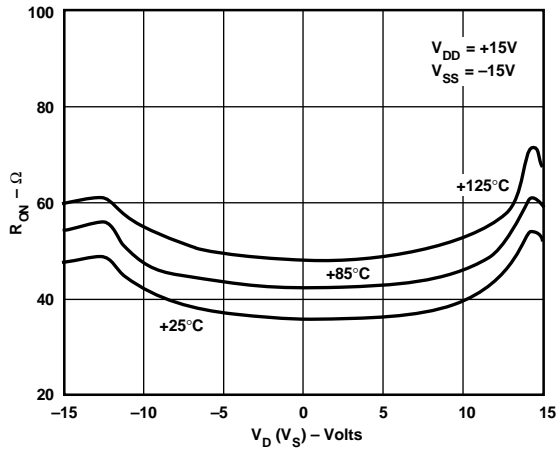


Figure 4.  $R_{ON}$  as a Function of  $V_D$  ( $V_S$ ) for Different Temperatures

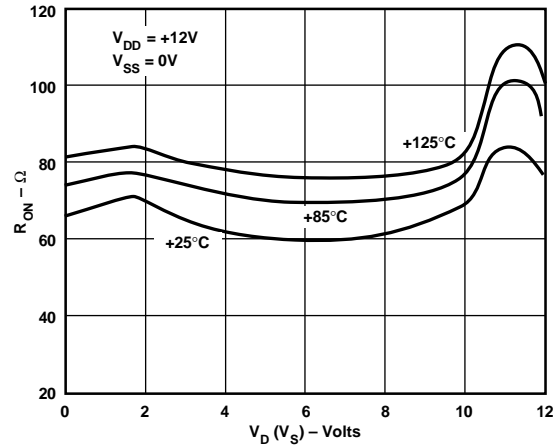


Figure 7.  $R_{ON}$  as a Function of  $V_D$  ( $V_S$ ) for Different Temperatures

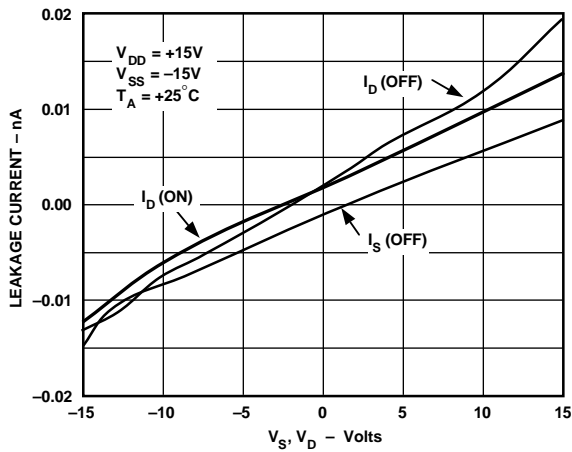


Figure 5. Leakage Currents as a Function of  $V_S$  ( $V_D$ )

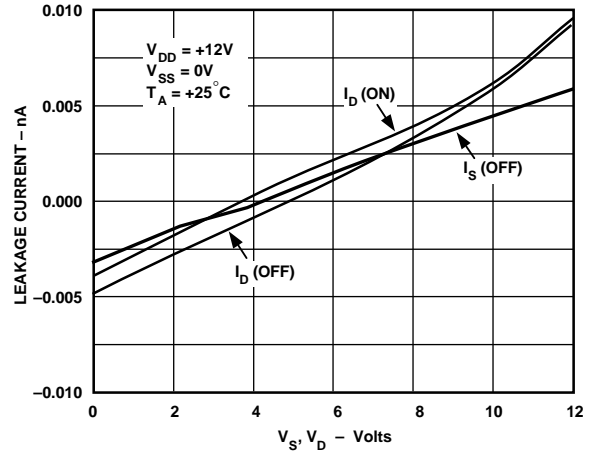


Figure 8. Leakage Currents as a Function of  $V_S$  ( $V_D$ )

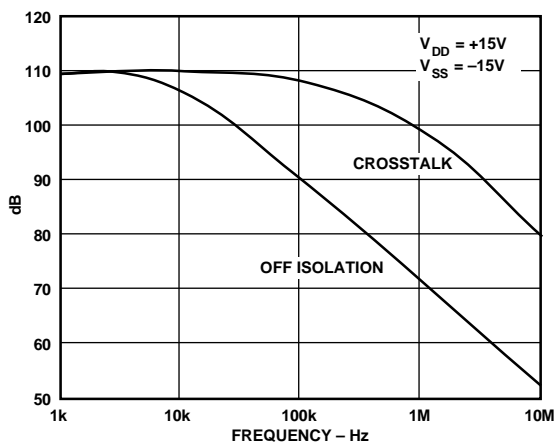


Figure 6. Crosstalk and Off Isolation vs. Frequency

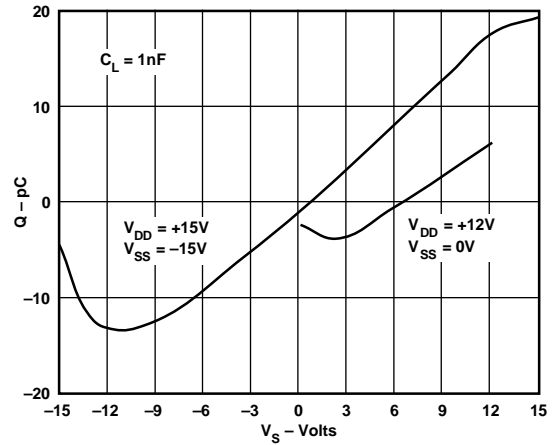


Figure 9. Charge Injection vs. Source Voltage

# ADG441/ADG442/ADG444

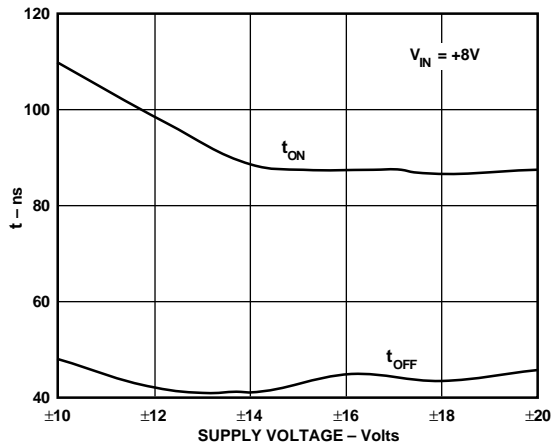


Figure 10. Switching Time vs. Bipolar Supply

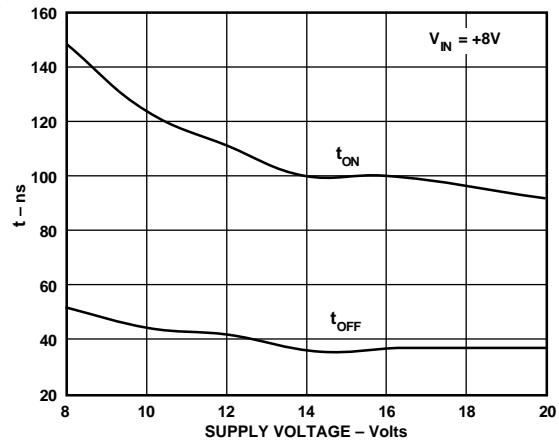
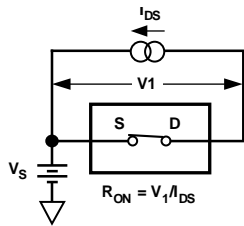
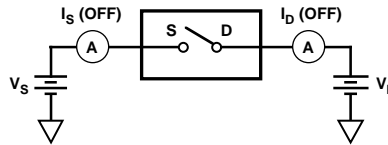


Figure 11. Switching Time vs. Single Supply

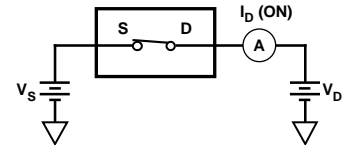
## Test Circuits



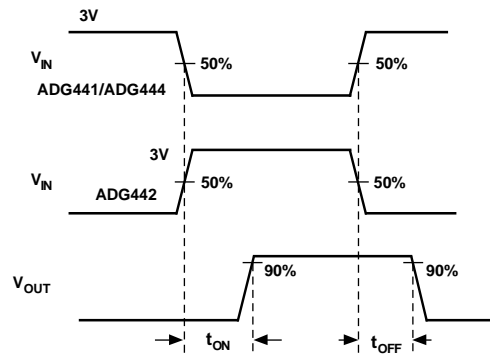
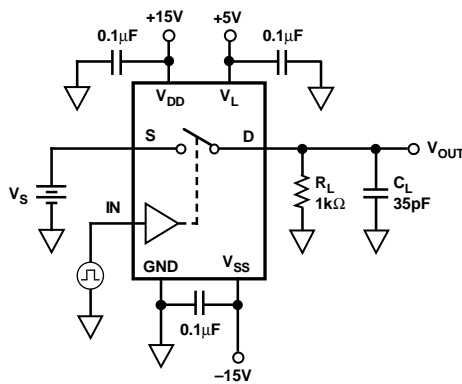
Test Circuit 1. On Resistance



Test Circuit 2. Off Leakage

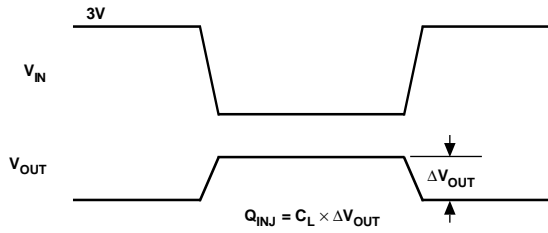
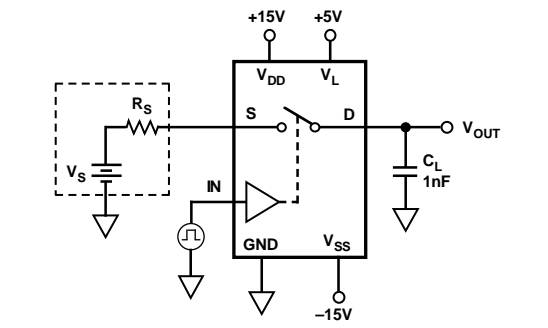


Test Circuit 3. On Leakage

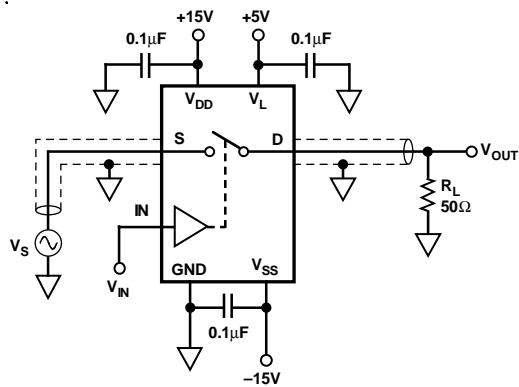


Test Circuit 4. Switching Times

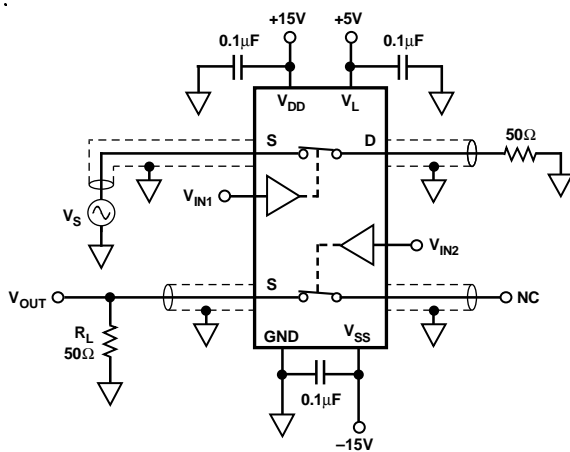
# ADG441/ADG442/ADG444



Test Circuit 5. Charge Injection



Test Circuit 6. Off Isolation



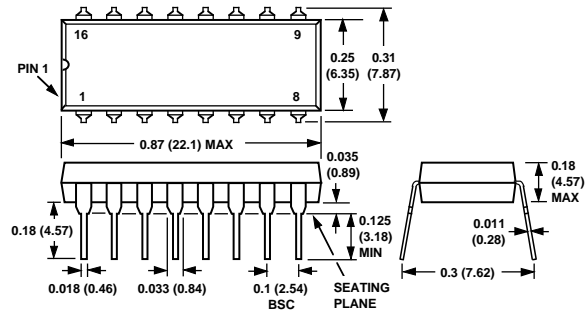
$$\text{CHANNEL-TO-CHANNEL CROSSTALK} = 20 \times \text{LOG} |V_S V_{OUT}|$$

Test Circuit 7. Channel-to-Channel Crosstalk

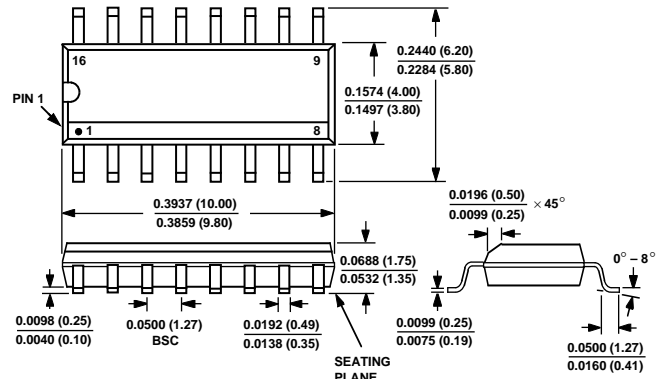
## OUTLINE DIMENSIONS

Dimensions shown in inches and (mm).

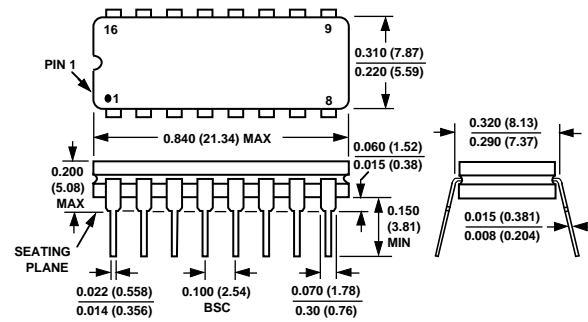
### Plastic DIP (N-16)



### Small Outline IC (R-16A)



### Cerdip (Q-16)



C1890-18-4/94

PRINTED IN U.S.A.



# ADG441/ADG442/ADG444

FOR CATALOG

## ORDERING GUIDE

Model <sup>1</sup>	Temperature Range	Package Option <sup>2</sup>
ADG441BN	-40°C to +85°C	N-16
ADG441BR	-40°C to +85°C	R-16A
ADG441TQ	-55°C to +125°C	Q-16
ADG442BN	-40°C to +85°C	N-16
ADG442BR	-40°C to +85°C	R-16A
ADG444BN	-40°C to +85°C	N-16
ADG444BR	-40°C to +85°C	R-16A

### NOTES

<sup>1</sup>To order MIL-STD-883, Class B processed parts, add /883B to T grade part numbers.

<sup>2</sup>N = Plastic DIP, R = 0.15" Small Outline IC (SOIC), Q = Cerdip. For outline information see Package Information section.